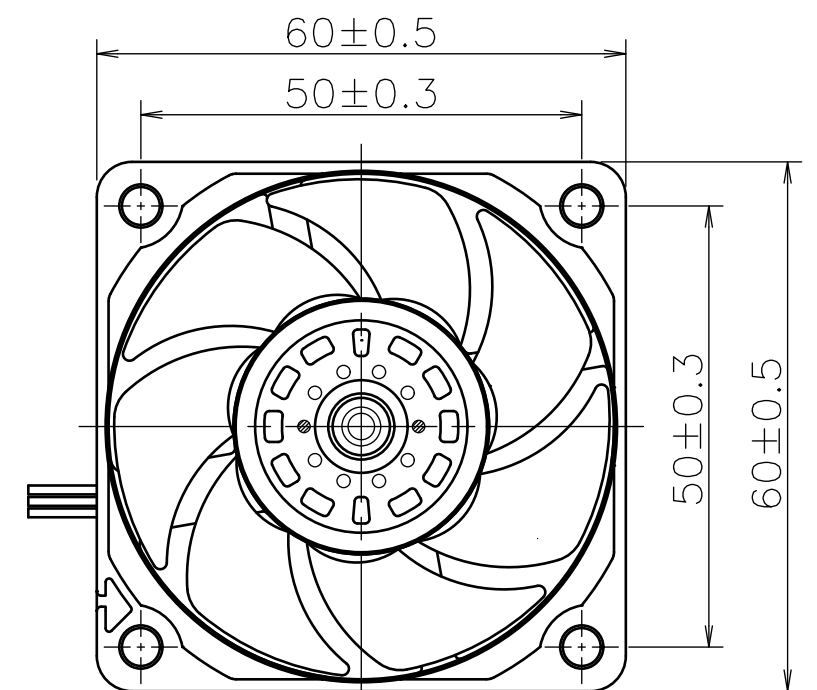
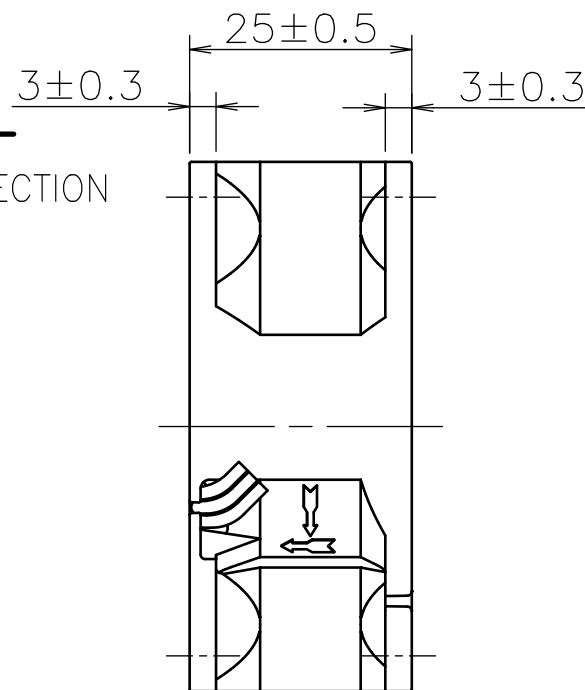
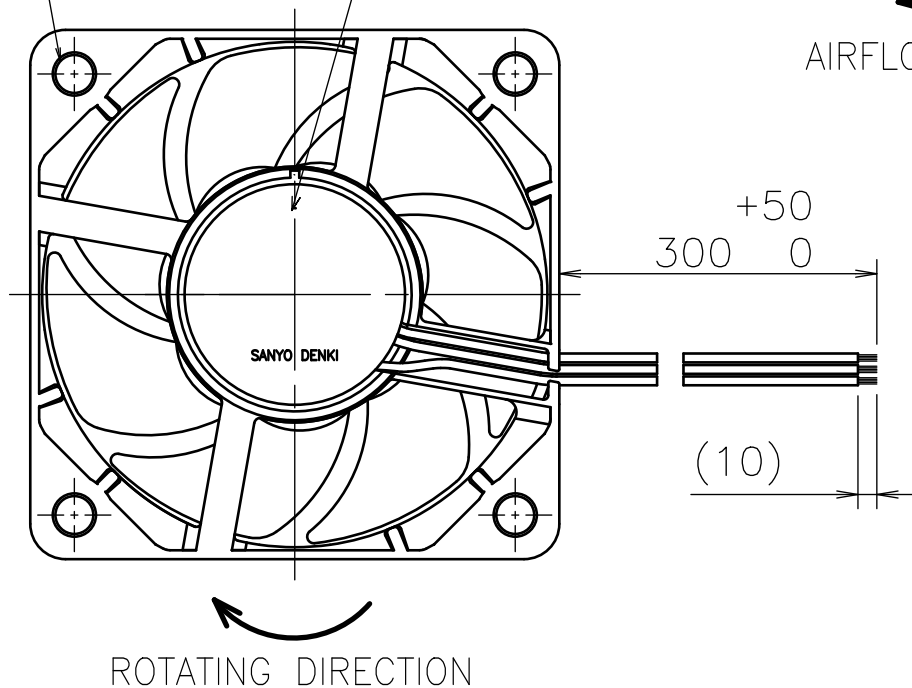


# 1. DIMENSIONS AND PARTS LIST

## <DIMENSIONS>

8- $\phi 4.3 \pm 0.3$

LABEL (NOTE 1-1)



### NOTE

1-1. THE PRODUCT NAME, MODEL NO., MANUFACTURER, MANUFACTURE DATE, ETC. ARE PRINTED ON LABEL.  
 銘板上に品名, 型名, 製造会社名 及び 製造年月日等を表示する。

<LABEL> SHOWS LOT No. はロットNo.を示す。

## <LEAD WIRE CONNECTION TABLE>

FAN		
	LEAD WIRE	COLOR
+	UL1007 AWG24	RED
GND	UL1007 AWG24	BLACK
SENSOR	UL1007 AWG24	YELLOW



OR



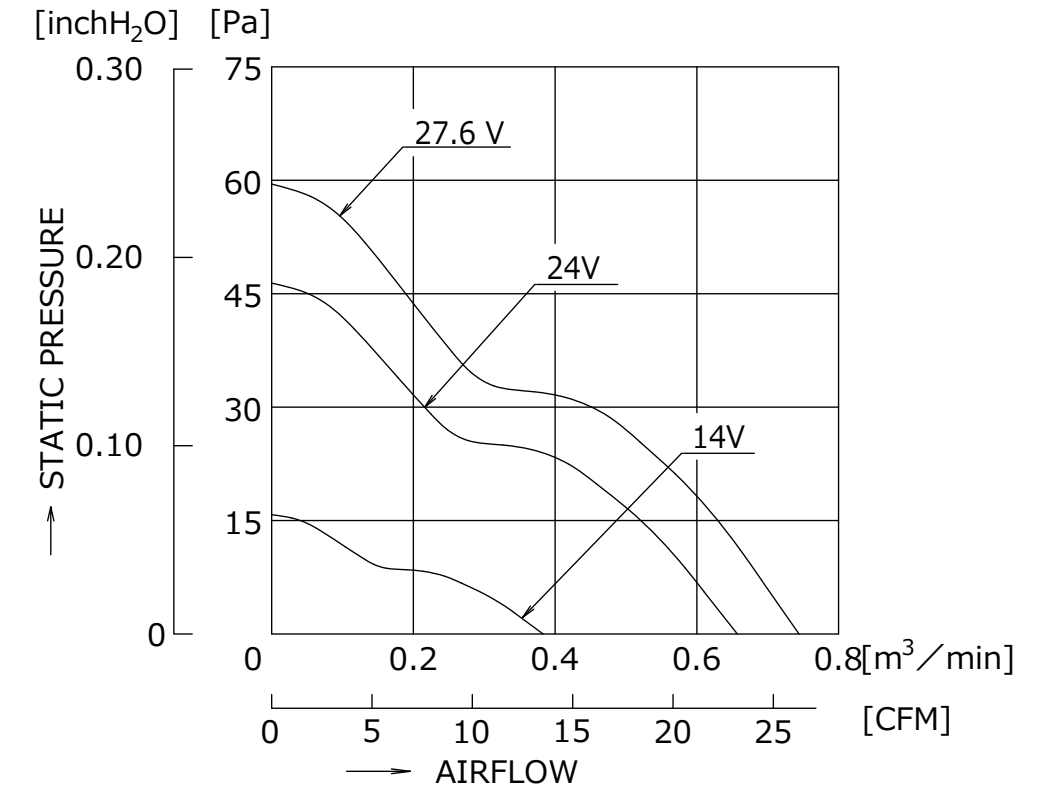
	ECN No. E0220308	名称 Title San Ace 60 (9RA) RIBLESS/PULSE_SENSOR
単位 Unit mm	新規 New Design J.FERNANDEZ 21-05-18	
尺度 Scale -	図面番号 Dwg. No.	Rev. 9RA0624S40011 C
<b>SANYO DENKI</b>		承認 Approved By TE.YAMAZAKI 24-01-10
		審査 Checked By R.MOLINO 24-01-09
Group D12		設計 Designed By A.TUGANO 23-11-29
User E0		Page 1/3

## 2. GENERAL SPECIFICATIONS

### <CHARACTERISTICS>

ITEM	UNIT	CHARACTERISTICS
RATED VOLTAGE	V DC	24
OPERATING VOLTAGE RANGE	V DC	14~ 27.6
MAX. AIRFLOW	m <sup>3</sup> /min (CFM)	0.66 (23.3)
MAX. STATIC PRESSURE	Pa (inchH <sub>2</sub> O)	46 (0.18)
RATED CURRENT	A	0.06
RATED SPEED	min <sup>-1</sup>	4600±460
INSULATION RESISTANCE (NOTE 2-2)	-	10M Ω MIN. AT 500 V DC
DIELECTRIC STRENGTH (NOTE 2-2)	-	1 MINUTE AT 500 V AC, 50/60 Hz
OPERATING TEMPERATURE	°C	-20 ~ +70
STORAGE TEMPERATURE	°C	-30 ~ +70
EXPECTED LIFE	-	60,000 h / 60 °C (L10, CONTINUOUS OPERATION)
SOUND PRESSURE LEVEL (NOTE 2-3)	dB(A)	30
MASS	g	APPROX. 70
MATERIAL	-	FRAME, IMPELLER : PLASTICS
BEARING SYSTEM	-	2 BALL BEARINGS

### <REFERENCE AIRFLOW-STATIC PRESSURE CHARACTERISTICS>



2-4. WITHIN THE OPERATING VOLTAGE RANGE, THE MOTOR IS PROTECTED FROM BURNOUT DUE TO LOCKED ROTOR. DO NOT LOCK ROTOR OUTSIDE OF OPERATING VOLTAGE.  
 使用電圧範囲にてファン拘束時焼損の恐れはない。  
 使用電圧範囲外でファンを拘束しないこと。

2-5. FAN MIGHT NOT START UP NORMALLY IF THE IMPELLER IS ROTATING WHEN THE POWER IS TURNED ON.  
 電源投入時、羽根が空転していると正常に起動できない場合がある。

NOTE 2-1. ALL THE VALUES IN THE TABLE ARE TYPICAL VALUES MEASURED AFTER 30 MINUTES OF OPERATION AT ROOM TEMPERATURE AND NORMAL HUMIDITY.  
 表中の値はいずれも、常温、常湿、30分間動作後の標準値。

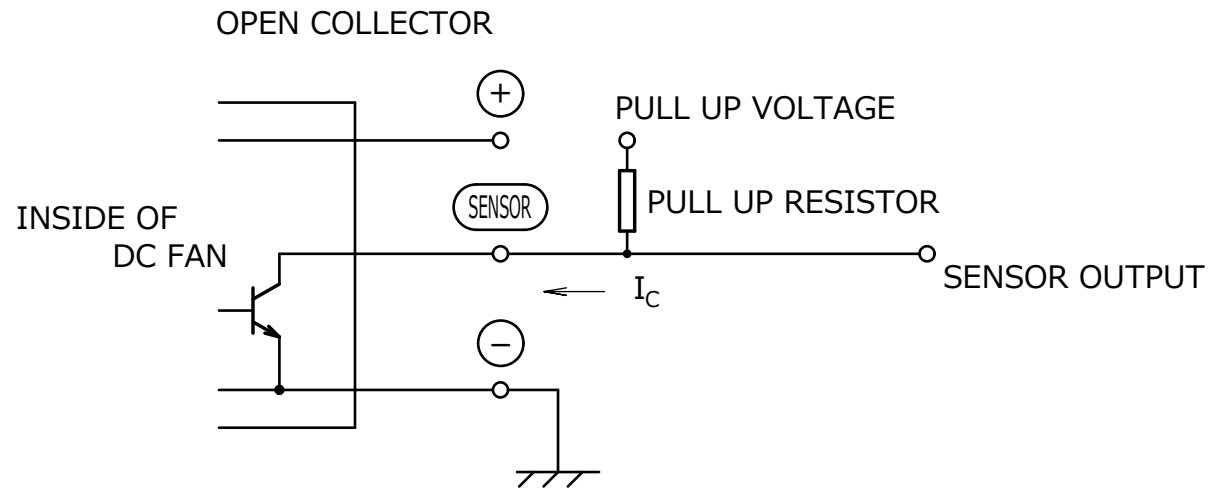
2-2. MEASURED BETWEEN LEAD WIRE CONDUCTORS AND FRAME.  
 リード線導体部とフレームとの間。

2-3. AT 1 m AWAY FROM THE AIR INLET.  
 ファン吸込側1 mにおける値。

	ECN No.	E0220308	名称 Title	San Ace 60 (9RA)				
	単位 Unit	新規 New Design	J.FERNANDEZ	RIBLESS/PULSE_SENSOR				
mm	21-05-18	図面番号 Dwg. No.	9RA0624S40011		Rev. C			
尺度 Scale	-	承認 Approved By			TE.YAMAZAKI			
<b>SANYO DENKI</b>			SANYO DENKI CO.,LTD. ISSUED		設計 Designed By			
			承認 Approved By	TE.YAMAZAKI	24-01-10	審査 Checked By	R.MOLINO	24-01-09
Group	D12	User	E0	Page	2/3			

### 3. SENSOR SPECIFICATIONS

<OUTPUT CIRCUIT>

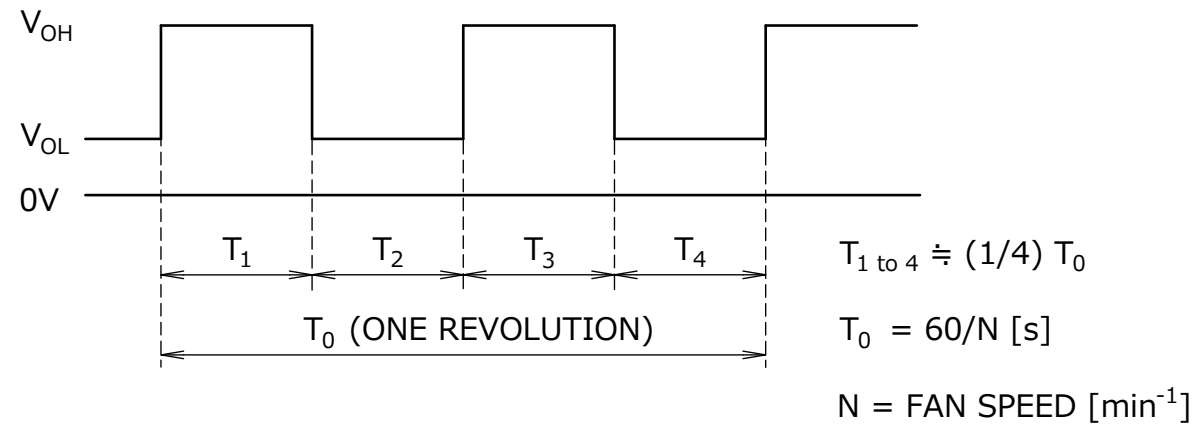


<SENSOR SPECIFICATIONS>

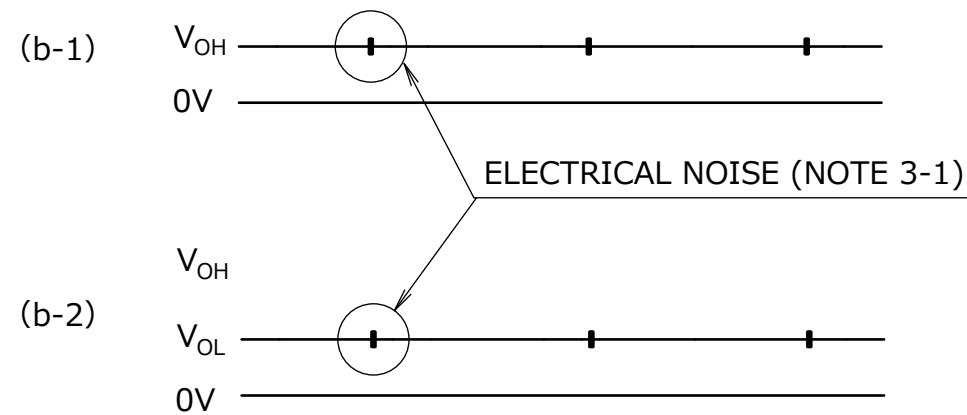
ITEM	SYMBOL	UNIT	MAX.
PULL UP VOLTAGE	-	V	30
COLLECTOR - EMITTER VOLTAGE ( $V_{CE}$ )	$V_{OH}$	V	30
COLLECTOR CURRENT	$I_C$	mA	5
COLLECTOR SATURATION VOLTAGE ( $V_{CE(SAT)}$ )	$V_{OL}$	V	1.0

<OUTPUT WAVEFORM>

(a) IN CASE OF STEADY RUNNING



(b) IN CASE OF STEADY LOCKED ROTOR



- NOTE 3-1. ELECTRICAL NOISE MAY APPEAR ON  $V_{OL}$  WHEN THE MOTOR IS AUTO-RESTART.  
モータの自動再起動動作にともない、 $V_{OL}$ にノイズが載ることがある。
- 3-2. IF REQUIRED TO KEEP THE  $V_{OL}$  LOW, LOWER THE  $V_{OH}$  OR SET THE  $I_C$  SMALLER.  
 $V_{OL}$ を低くする場合は、 $V_{OH}$ を下げるか $I_C$ を小さく設定すること。

	ECN No.	名称 Title		
	E0220308	San Ace 60 (9RA) RIBLESS/PULSE_SENSOR		
単位 Unit mm	新規 New Design J.FERNANDEZ 21-05-18	Rev.		
尺度 Scale -	図面番号 Dwg. No.	9RA0624S40011 C		
		承認 Approved By TE.YAMAZAKI 24-01-10	審査 Checked By R.MOLINO 24-01-09	設計 Designed By A.TUGANO 23-11-29
		Group D12	User E0	Page 3/3