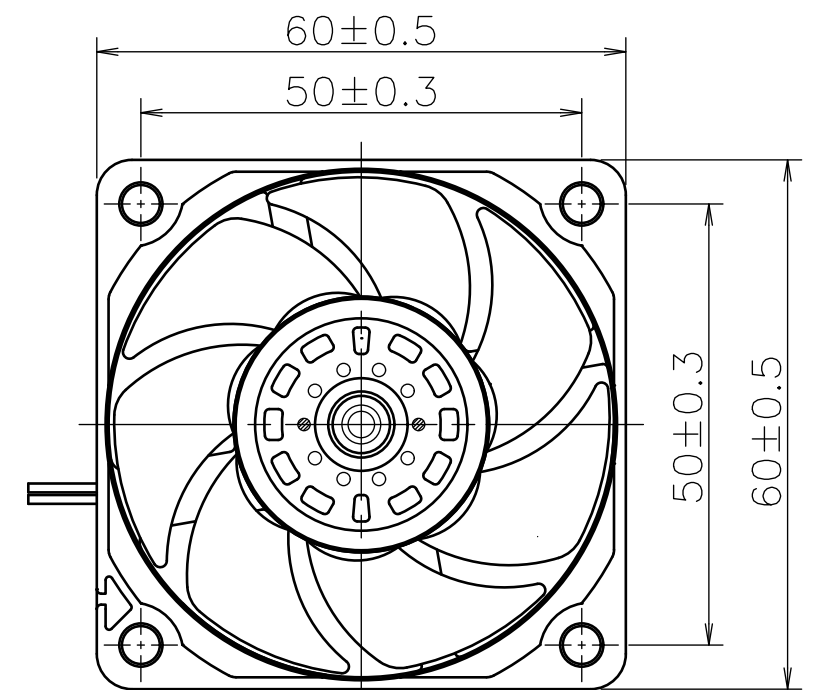
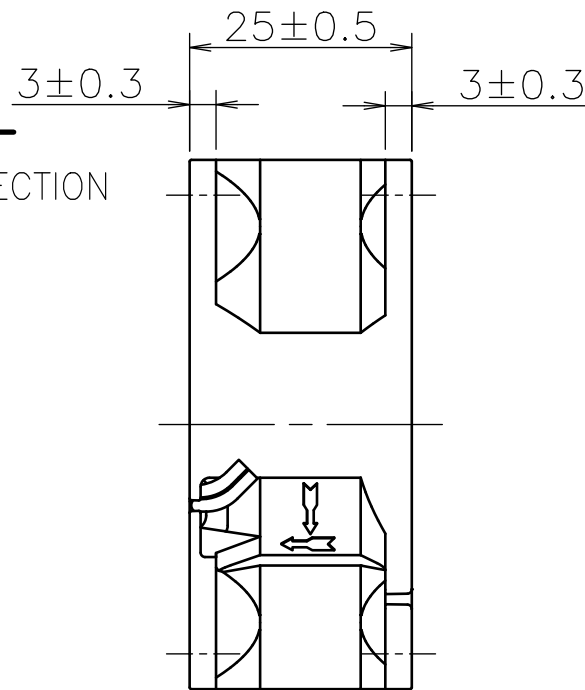
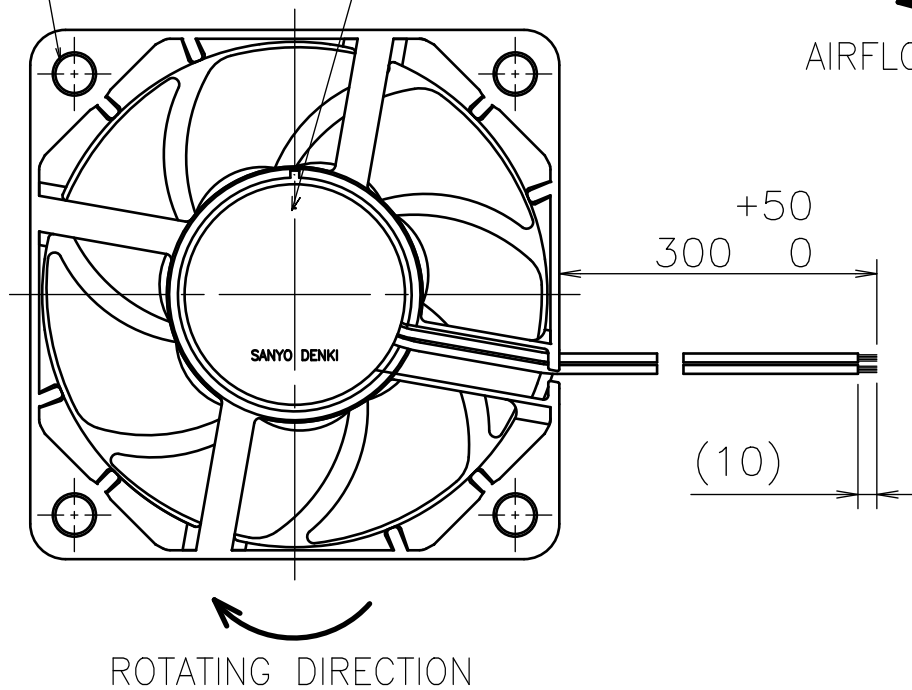


1. DIMENSIONS AND PARTS LIST

<DIMENSIONS>

8- $\phi 4.3 \pm 0.3$

LABEL (NOTE 1-1)



NOTE

1-1. THE PRODUCT NAME, MODEL NO., MANUFACTURER, MANUFACTURE DATE, ETC. ARE PRINTED ON LABEL.
 銘板上に品名, 型名, 製造会社名 及び 製造年月日等を表示する。

<LABEL> SHOWS LOT No. はロットNo.を示す。

<LEAD WIRE CONNECTION TABLE>

| FAN | | |
|-----|--------------|-------|
| | LEAD WIRE | COLOR |
| + | UL1007 AWG24 | RED |
| GND | UL1007 AWG24 | BLACK |



OR



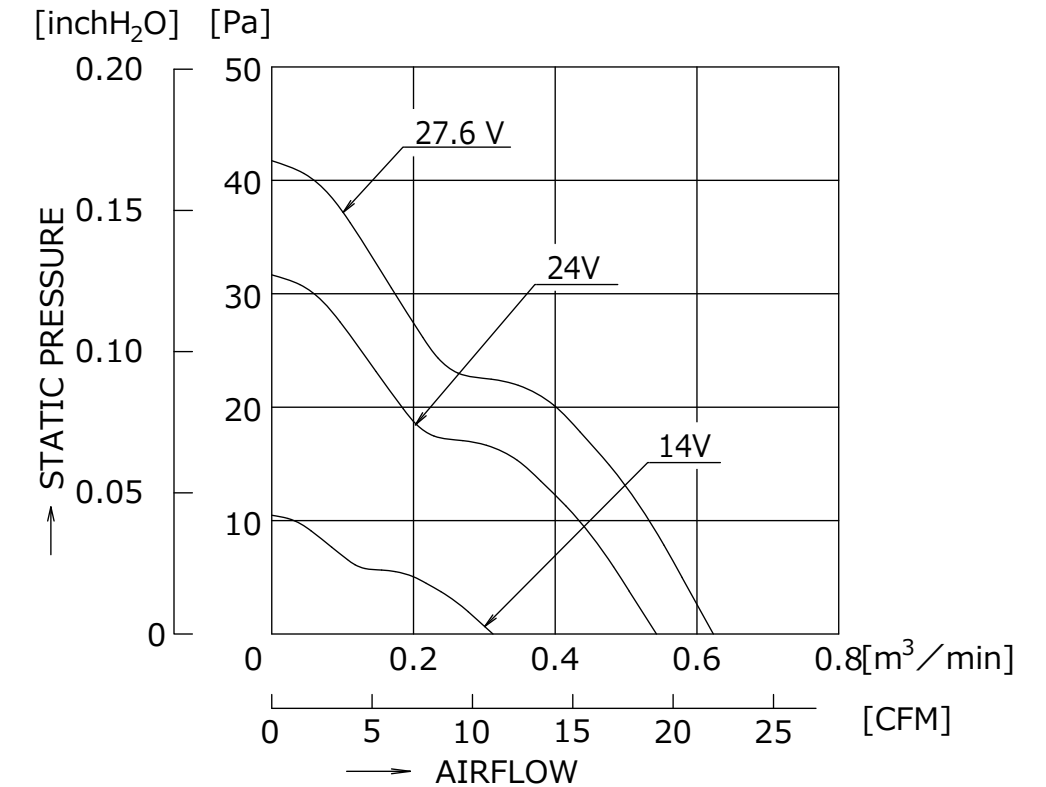
| | | |
|--------------------|---------------------------------------|---|
| | ECN No. E0220173 | 名称 Title San Ace 60 (9RA) R I B L E S S |
| 単位 Unit mm | 新規 New Design J.VILLAR 21-09-20 | |
| 尺度 Scale - | 図面番号 Dwg. No. - | Rev. 9RA0624H40021 B |
| SANYO DENKI | | 承認 Approved By TE.YAMAZAKI 24-01-10 |
| | | 審査 Checked By R.MOLINO 24-01-09 |
| | | 設計 Designed By A.TUGANO 23-11-29 |
| Group | D12 | User E0 Page 1/2 |

2. GENERAL SPECIFICATIONS

<CHARACTERISTICS>

| ITEM | UNIT | CHARACTERISTICS |
|-------------------------------------|------------------------------|--|
| RATED VOLTAGE | V DC | 24 |
| OPERATING VOLTAGE RANGE | V DC | 14~ 27.6 |
| MAX. AIRFLOW | m ³ /min (CFM) | 0.54 (19.1) |
| MAX. STATIC PRESSURE | Pa (inchH ₂ O) | 32 (0.13) |
| RATED CURRENT | A | 0.05 |
| RATED SPEED | min ⁻¹ | 3800±380 |
| INSULATION RESISTANCE (NOTE 2-2) | - | 10M Ω MIN. AT 500 V DC |
| DIELECTRIC STRENGTH (NOTE 2-2) | - | 1 MINUTE AT 500 V AC, 50/60 Hz |
| OPERATING TEMPERATURE | °C | -20 ~ +70 |
| STORAGE TEMPERATURE | °C | -30 ~ +70 |
| EXPECTED LIFE | - | 60,000 h / 60 °C (L10, CONTINUOUS OPERATION) |
| SOUND PRESSURE LEVEL (NOTE 2-3) | dB(A) | 26 |
| MASS | g | APPROX. 70 |
| MATERIAL | - | FRAME, IMPELLER : PLASTICS |
| BEARING SYSTEM | - | 2 BALL BEARINGS |

<REFERENCE AIRFLOW-STATIC PRESSURE CHARACTERISTICS>



- 2-4. WITHIN THE OPERATING VOLTAGE RANGE, THE MOTOR IS PROTECTED FROM BURNOUT DUE TO LOCKED ROTOR. DO NOT LOCK ROTOR OUTSIDE OF OPERATING VOLTAGE.
使用電圧範囲にてファン拘束時焼損の恐れはない。
使用電圧範囲外でファンを拘束しないこと。
- 2-5. FAN MIGHT NOT START UP NORMALLY IF THE IMPELLER IS ROTATING WHEN THE POWER IS TURNED ON.
電源投入時、羽根が空転していると正常に起動できない場合がある。

NOTE 2-1. ALL THE VALUES IN THE TABLE ARE TYPICAL VALUES MEASURED AFTER 30 MINUTES OF OPERATION AT ROOM TEMPERATURE AND NORMAL HUMIDITY.
表中の値はいずれも、常温、常湿、30分間動作後の標準値。

2-2. MEASURED BETWEEN LEAD WIRE CONDUCTORS AND FRAME.
リード線導体部とフレームとの間。

2-3. AT 1 m AWAY FROM THE AIR INLET.
ファン吸込側1 mにおける値。

| | | | | |
|--------------------|---------------|----------------|------------------|----------------|
| | ECN No. | E0220173 | 名称 Title | |
| | 単位 Unit | 新規 New Design | San Ace 60 (9RA) | |
| | mm | J.VILLAR | RIBLESS | |
| | | 21-09-20 | | |
| 尺度 Scale | 図面番号 Dwg. No. | 9RA0624H40021 | | Rev. |
| - | | | | B |
| SANYO DENKI | | 承認 Approved By | 審査 Checked By | 設計 Designed By |
| | | TE.YAMAZAKI | R.MOLINO | A.TUGANO |
| | | 24-01-10 | 24-01-09 | 23-11-29 |
| Group | D12 | User | E0 | Page 2/2 |