



<b>4K</b> Ultra HD <b>3840 x 2160</b> Sensor	<b>13x - 140x</b> Magnification <b>22mm - 214mm</b> Working Distance	<b>HDMI and</b> USB Output Connect to an HDMI monitor or PC	<b>Articulating</b> Arm Stand Raise, lower and rotate the arm to the ideal position
---	---	---	---



### 4K Ultra HD Sensor

Capture images at 3840 x 2160 pixels

# Cyclops 4K

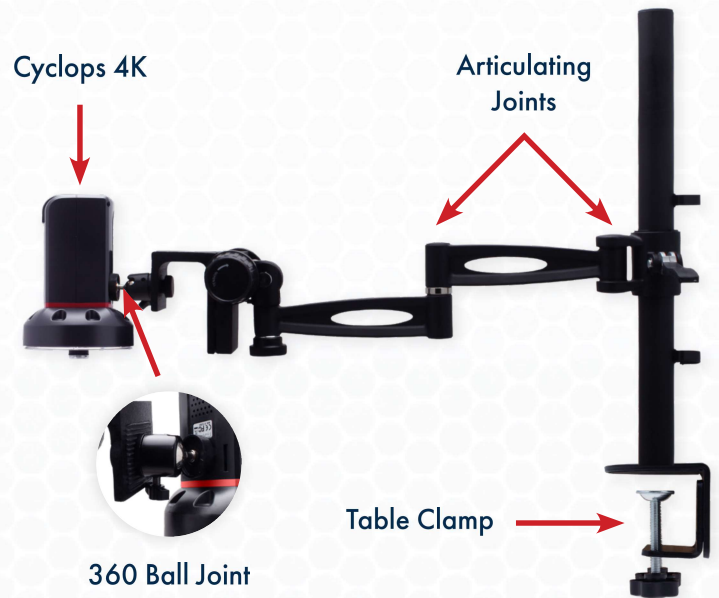
## Ultra HD Digital Microscope

### with Articulating Arm Stand

This innovative digital microscope system features an **articulating arm stand**. Operators can inspect on a monitor via HDMI or PC via USB while also having the ability to position the microscope by raising, lowering and rotating the articulating arm.

### Key Features

- Capture images in 4K (3840 x 2160 pixels)
- 13x - 140x Magnification (Based on a 24" monitor)
- Articulating Arm Stand with 360 Ball Joint and Table Clamp (Raise, lower, and rotate to the ideal position)
- Working Distance: 0.86" - 8.42" (22 mm - 214 mm)
- MicroSD Card Slot (Save images)
- PC Software (Image/video capture, measure, annotate, and more!)



Cyclops 4K Ultra HD with Articulating Arm Stand	
<b>Item #</b>	26700-424-553
<b>Magnification</b>	13x - 140x (Based on a 24" HD Monitor)
<b>Working Distance</b>	0.86" - 8.42" (22 mm - 214 mm)
<b>CMOS Sensor</b>	8 million pixels CMOS sensor
<b>Ports</b>	HDMI USB 2.0 MicroSD
<b>Illumination</b>	30 Adjustable White LEDs
<b>Package Contents</b>	<ul style="list-style-type: none"> <li>• Cyclops 4K Ultra HD</li> <li>• Cyclops IR Remote Control</li> <li>• 4x Objective Lens</li> <li>• 2GB microSD Card</li> <li>• Articulating Arm Stand (26800B-553)</li> <li>• 360 Ball Joint (26700-412)</li> <li>• N-Type Focus Mount with E-Arm</li> <li>• 22" LCD Monitor (26700-406)</li> </ul>