

GlobTek, Inc. www.globtek.com 186 Veterans Drive, Northvale, NJ 07647 Tel. (201) 784-1000 Fax (201) 784-0111	Drawing Title: Nema 5-15P hospital grade with green dot to IEC60320 C13 2 CONDUCTORS + GROUND, GT Cable #104: 14 / 3 Conductors, 9.3mm OD, SJT, 105 Degree, 300V, BLK/WHT/GRN, Approvals: UL/CUL,3700 +/- 50mm, GlobTek Black	
	Model No. Power Cord	
	Part No./Ordering No. 11910412F701-1	Rev D2

CUSTOMIZED LENGTHS, COLORS, CABLE TYPES, TERMINATIONS/PLUGS/RECEPTACLES AVAILABLE UPON REQUEST. ADDITIONAL PLUG OPTIONS ARE AVAILABLE AT <https://www.globtek.com/connectors/> STANDARD PLUGS AND CONNECTORS CAN BE SEEN ONLINE AT <https://www.globtek.com/connectors/> ACTUAL CONNECTORS, OVERMOLDS, FERRITES MAY VARY SLIGHTLY FROM THE PICTURE BELOW DIMENSIONS ARE IN MM UNLESS SPECIFIED OTHERWISE

REVISION HISTORY

REV	DESCRIPTION	SUB	DATE	APPROVED
D2	Correct cable length to 3700±50 mm, update coil dimensions to 280*250 mm	QA	01/05/2021	QA
D1	Correct rating from 12A / 125V~ to 15A / 125V~; Update drawings.	bsiep	11/13/2020	QA
D	Update to SF format; remove customer P/N labels.	bsiep	11/04/2020	QA

In Addition to GlobTek Inc.'s renewed ISO9001:2008 - Quality Management System Certification, GlobTek Inc. is now certified to:

ISO13485:2003 - Medical Devices Quality Management System Certification
 ISO14001:2004 - Environmental Management System Certification

ISO Certificates are available online at <https://www.globtek.com/iso-certificates/>

Customer Approval of Specification:

Please approve, sign and send back to GlobTek so we can complete order processing.

A delay in receipt of this form will delay delivery schedule.

Company Name:

Customer P/N:

Quote Number:

Date:

Authorized Representative Name:

Authorized Representative Signature:

RELEASED

By pudxc at 8:58 am, Jan 08, 2021

The acceptance of this specification and use of the product described in this document indicates the acceptance and binding of the customer to Globtek terms and conditions, which supersede all other agreements, terms, and conditions (<https://en.globtek.com/terms-and-conditions/>).

GlobTek, Inc. www.globtek.com 186 Veterans Drive, Northvale, NJ 07647 Tel. (201) 784-1000 Fax (201) 784-0111	Drawing Title: Nema 5-15P hospital grade with green dot to IEC60320 C13 2 CONDUCTORS + GROUND, GT Cable #104: 14 / 3 Conductors, 9.3mm OD, SJT, 105 Degree, 300V, BLK/WHT/GRN, Approvals: UL/CUL,3700 +/- 50mm, GlobTek Black	
	Model No. Power Cord	
	Part No./Ordering No. 11910412F701-1	Rev D2

CUSTOMIZED LENGTHS, COLORS, CABLE TYPES, TERMINATIONS/PLUGS/RECEPTACLES AVAILABLE UPON REQUEST. ADDITIONAL PLUG OPTIONS ARE AVAILABLE AT <https://www.globtek.com/connectors/> STANDARD PLUGS AND CONNECTORS CAN BE SEEN ONLINE AT <https://www.globtek.com/connectors/> ACTUAL CONNECTORS, OVERMOLDS, FERRITES MAY VARY SLIGHTLY FROM THE PICTURE BELOW DIMENSIONS ARE IN MM UNLESS SPECIFIED OTHERWISE

The purchaser of this product (Customer) agrees that it is their sole responsibility to determine suitability/fitness of the product described in this specification for their application and to take precautions for protection against any hazards attendant to the handling and use of the product.

Footnote:

GlobTek Inc. will not be liable for the safety and performance of these power supplies if unauthorized access and repair occurs. End user should consult applicable UL, CSA or EN standards for proper installation instruction.

Limitation of Use:

GlobTek products are intended for use with commercial, medical, and/or industrial equipment only. GlobTek product are not authorized for use as mission critical components in life support hazardous environment, nuclear or aircraft applications without prior written approval from the CEO of GlobTek Inc.

Contents of this document are subject to change without prior notice.

GlobTek, Inc. www.globtek.com 186 Veterans Drive, Northvale, NJ 07647 Tel. (201) 784-1000 Fax (201) 784-0111	Drawing Title: Nema 5-15P hospital grade with green dot to IEC60320 C13 2 CONDUCTORS + GROUND, GT Cable #104: 14 / 3 Conductors, 9.3mm OD, SJT, 105 Degree, 300V, BLK/WHT/GRN, Approvals: UL/CUL,3700 +/- 50mm, GlobTek Black	
	Model No. Power Cord	
Part No./Ordering No. 11910412F701-1		Rev D2

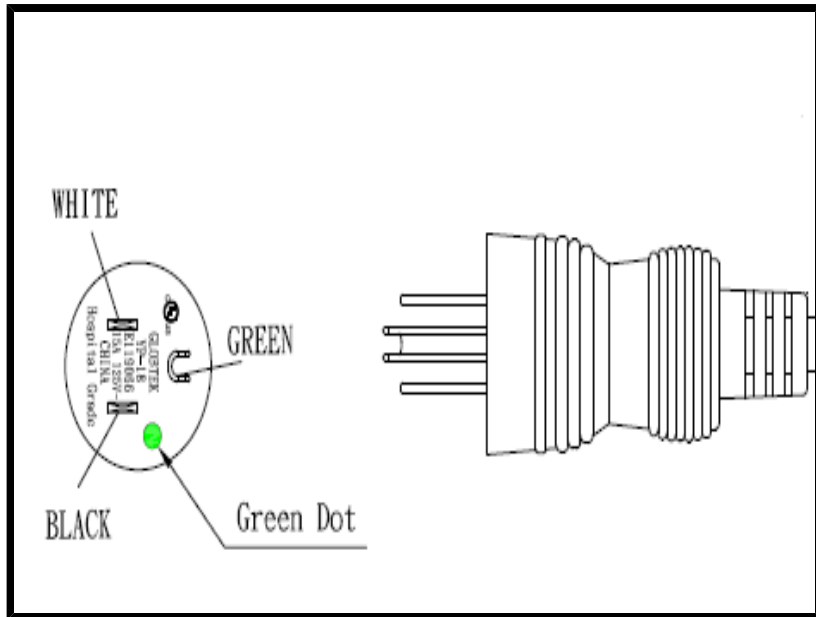
CUSTOMIZED LENGTHS, COLORS, CABLE TYPES, TERMINATIONS/PLUGS/RECEPTACLES AVAILABLE UPON REQUEST. ADDITIONAL PLUG OPTIONS ARE AVAILABLE AT <https://www.globtek.com/connectors/> STANDARD PLUGS AND CONNECTORS CAN BE SEEN ONLINE AT <https://www.globtek.com/connectors/> ACTUAL CONNECTORS, OVERMOLDS, FERRITES MAY VARY SLIGHTLY FROM THE PICTURE BELOW DIMENSIONS ARE IN MM UNLESS SPECIFIED OTHERWISE

Cordset Information:
 CordsetColor:GlobTek Black
 Cord Length (mm):3700 +/- 50

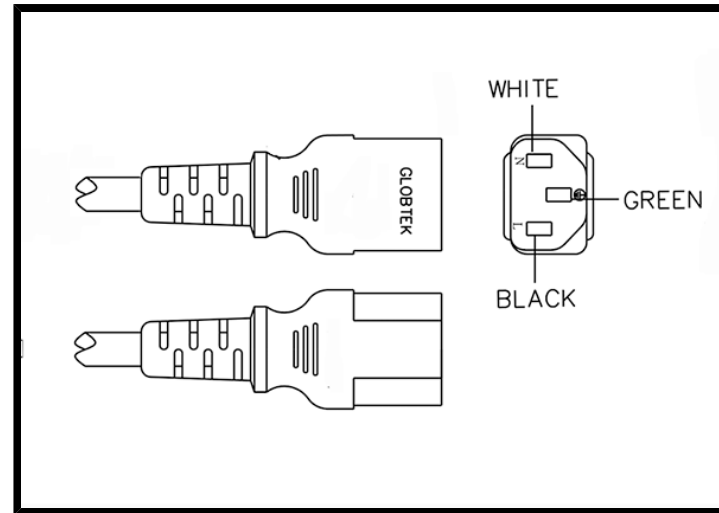
NOTES:

Includes "GROUNDING RELIABILITY LABEL" shown in drawing.

END A



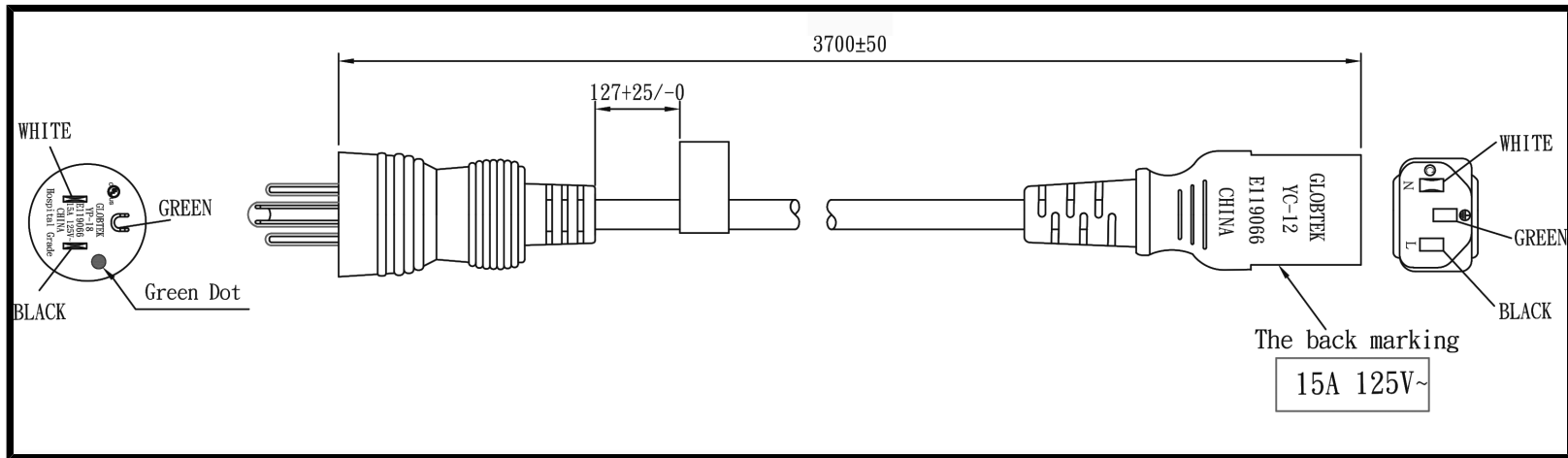
END B



GlobTek, Inc. www.globtek.com 186 Veterans Drive, Northvale, NJ 07647 Tel. (201) 784-1000 Fax (201) 784-0111	Drawing Title: Nema 5-15P hospital grade with green dot to IEC60320 C13 2 CONDUCTORS + GROUND, GT Cable #104: 14 / 3 Conductors, 9.3mm OD, SJT, 105 Degree, 300V, BLK/WHT/GRN, Approvals: UL/CUL,3700 +/- 50mm, GlobTek Black
	Model No. Power Cord
Part No./Ordering No. 11910412F701-1	Rev D2

CUSTOMIZED LENGTHS, COLORS, CABLE TYPES, TERMINATIONS/PLUGS/RECEPTACLES AVAILABLE UPON REQUEST. ADDITIONAL PLUG OPTIONS ARE AVAILABLE AT <https://www.globtek.com/connectors/> STANDARD PLUGS AND CONNECTORS CAN BE SEEN ONLINE AT <https://www.globtek.com/connectors/> ACTUAL CONNECTORS, OVERMOLDS, FERRITES MAY VARY SLIGHTLY FROM THE PICTURE BELOW DIMENSIONS ARE IN MM UNLESS SPECIFIED OTHERWISE

CABLE IMAGE



GlobTek, Inc. www.globtek.com 186 Veterans Drive, Northvale, NJ 07647 Tel. (201) 784-1000 Fax (201) 784-0111	Drawing Title: Nema 5-15P hospital grade with green dot to IEC60320 C13 2 CONDUCTORS + GROUND, GT Cable #104: 14 / 3 Conductors, 9.3mm OD, SJT, 105 Degree, 300V, BLK/WHT/GRN, Approvals: UL/CUL,3700 +/- 50mm, GlobTek Black	
	Model No. Power Cord	
	Part No./Ordering No. 11910412F701-1	Rev D2

CUSTOMIZED LENGTHS, COLORS, CABLE TYPES, TERMINATIONS/PLUGS/RECEPTACLES AVAILABLE UPON REQUEST. ADDITIONAL PLUG OPTIONS ARE AVAILABLE AT <https://www.globtek.com/connectors/> STANDARD PLUGS AND CONNECTORS CAN BE SEEN ONLINE AT <https://www.globtek.com/connectors/> ACTUAL CONNECTORS, OVERMOLDS, FERRITES MAY VARY SLIGHTLY FROM THE PICTURE BELOW DIMENSIONS ARE IN MM UNLESS SPECIFIED OTHERWISE

End A Code:119 Description:Nema 5-15P hospital grade with green dot Rating (V):125 Rating (A):15,0 Gender:Male Overmolded:Yes	Cable Code:104 Description:GT Cable #104: 14 / 3 Conductors, 9.3mm OD, SJT, 105 Degree, 300V, BLK/WHT/GRN, Approvals: UL/CUL Color:GlobTek Black Wire Gauge(AWG):14 Cond:3 Type:SJT Temperature:105 Amps:15 Volts:300 OD:9.3 ConductorsColors:BLK/WHT/GRN	End B Code:701-125V/15A max Description:IEC60320 C13 2 CONDUCTORS + GROUND Rating (V):125 Rating (A):15,0 Gender:Female Overmolded:Yes
--	---	---

Overall cable rating:15A 125V~

Plug Approvals	Cable Approvals	Connector Approvals
----------------	-----------------	---------------------

 UL/CUL LINK TO CERT	 UL/CUL LINK TO CERT	 UL/CUL LINK TO CERT
--	--	--

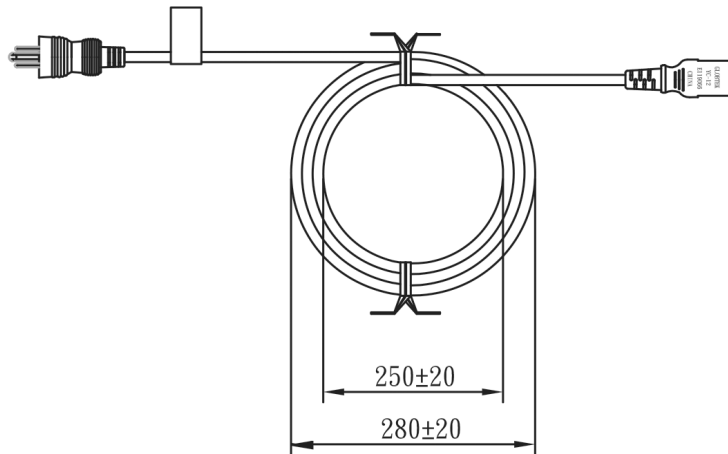
GlobTek, Inc. www.globtek.com 186 Veterans Drive, Northvale, NJ 07647 Tel. (201) 784-1000 Fax (201) 784-0111	Drawing Title: Nema 5-15P hospital grade with green dot to IEC60320 C13 2 CONDUCTORS + GROUND, GT Cable #104: 14 / 3 Conductors, 9.3mm OD, SJT, 105 Degree, 300V, BLK/WHT/GRN, Approvals: UL/CUL,3700 +/- 50mm, GlobTek Black	
	Model No. Power Cord	
Part No./Ordering No. 11910412F701-1		Rev D2

CUSTOMIZED LENGTHS, COLORS, CABLE TYPES, TERMINATIONS/PLUGS/RECEPTACLES AVAILABLE UPON REQUEST. ADDITIONAL PLUG OPTIONS ARE AVAILABLE AT <https://www.globtek.com/connectors/> STANDARD PLUGS AND CONNECTORS CAN BE SEEN ONLINE AT <https://www.globtek.com/connectors/> ACTUAL CONNECTORS, OVERMOLDS, FERRITES MAY VARY SLIGHTLY FROM THE PICTURE BELOW DIMENSIONS ARE IN MM UNLESS SPECIFIED OTHERWISE

Hanking: COIL-280-250

Description: Coiled: 280+/-20 mm OD, 250+/-20 mm ID

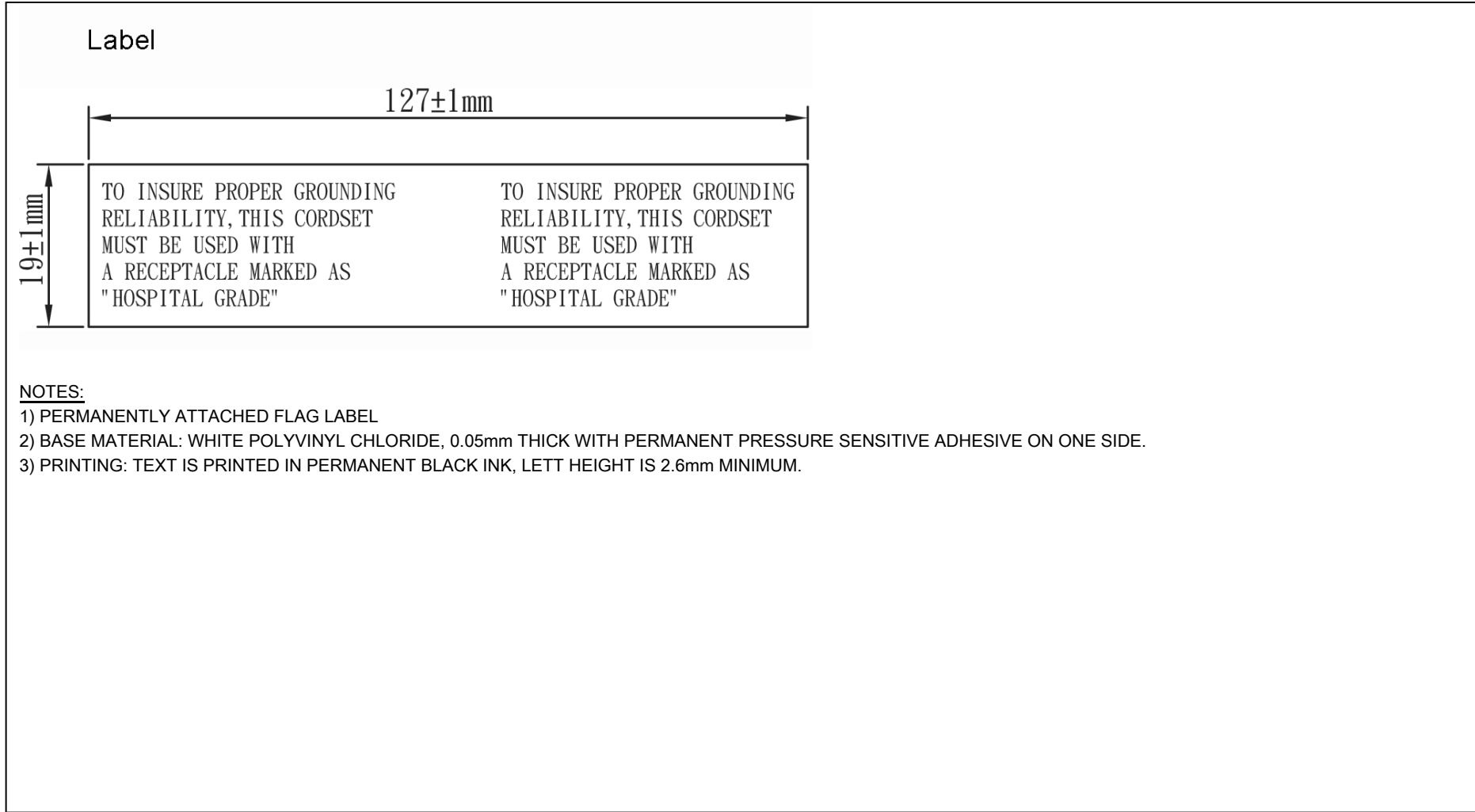
Image:



Notes/Modifications/Customizations (notes in this section supersede the values shown in the standard spec):

GlobTek, Inc. www.globtek.com 186 Veterans Drive, Northvale, NJ 07647 Tel. (201) 784-1000 Fax (201) 784-0111	Drawing Title: Nema 5-15P hospital grade with green dot to IEC60320 C13 2 CONDUCTORS + GROUND, GT Cable #104: 14 / 3 Conductors, 9.3mm OD, SJT, 105 Degree, 300V, BLK/WHT/GRN, Approvals: UL/CUL,3700 +/- 50mm, GlobTek Black	
	Model No. Power Cord	
	Part No./Ordering No. 11910412F701-1	Rev D2

CUSTOMIZED LENGTHS, COLORS, CABLE TYPES, TERMINATIONS/PLUGS/RECEPTACLES AVAILABLE UPON REQUEST. ADDITIONAL PLUG OPTIONS ARE AVAILABLE AT <https://www.globtek.com/connectors/> STANDARD PLUGS AND CONNECTORS CAN BE SEEN ONLINE AT <https://www.globtek.com/connectors/> ACTUAL CONNECTORS, OVERMOLDS, FERRITES MAY VARY SLIGHTLY FROM THE PICTURE BELOW DIMENSIONS ARE IN MM UNLESS SPECIFIED OTHERWISE



NOTES:

- 1) PERMANENTLY ATTACHED FLAG LABEL
- 2) BASE MATERIAL: WHITE POLYVINYL CHLORIDE, 0.05mm THICK WITH PERMANENT PRESSURE SENSITIVE ADHESIVE ON ONE SIDE.
- 3) PRINTING: TEXT IS PRINTED IN PERMANENT BLACK INK, LETT HEIGHT IS 2.6mm MINIMUM.