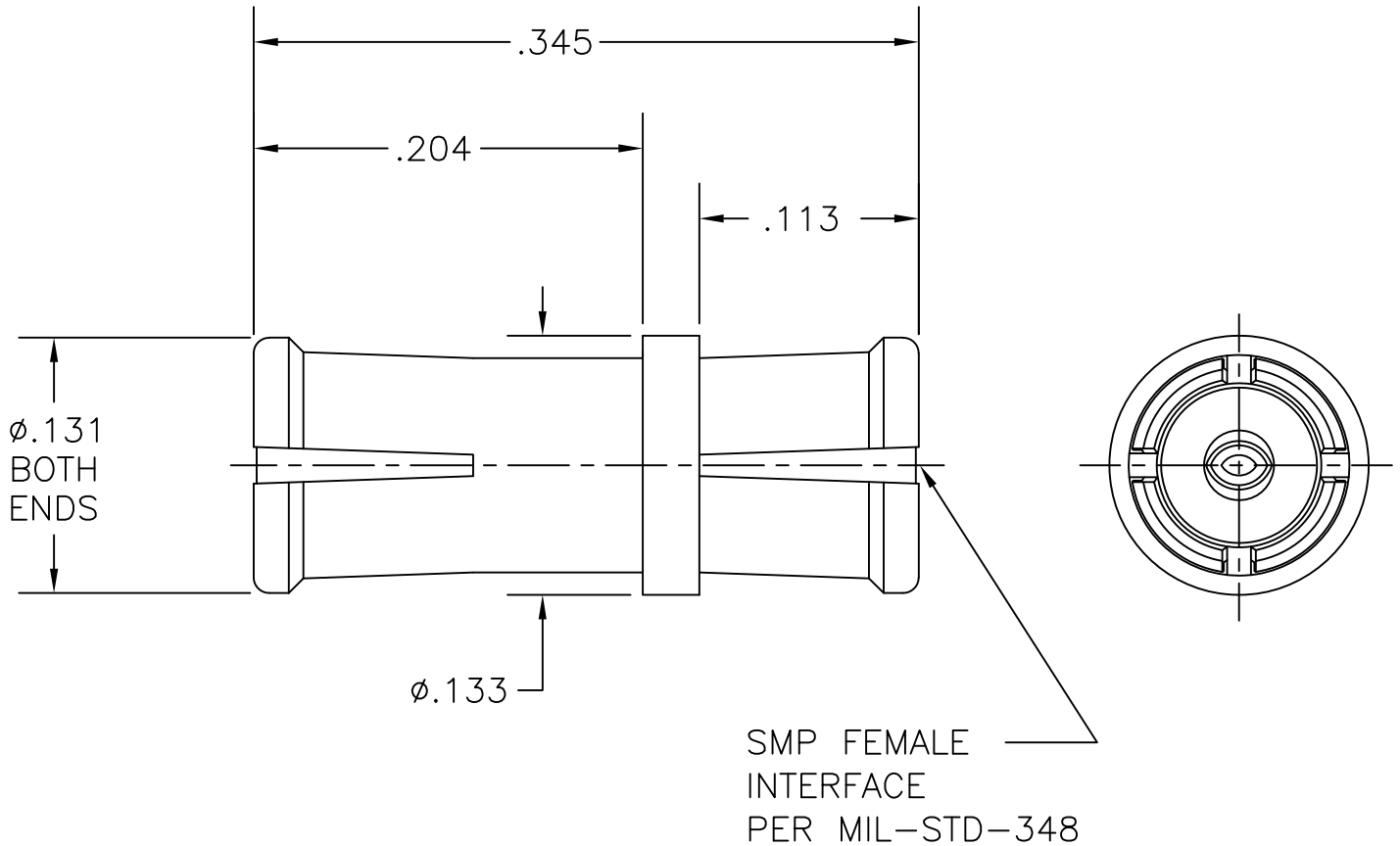


COMPONENT	MATERIAL AND FINISH
BODY & CONTACT	BeCu, ASTM B196, UNS C17300 GOLD PLATE, MIL-G-45204, TYPE 1, GRADE C, CLASS 1
INSULATOR	PTFE, ASTM D1710, TYPE I, GRADE 1, CLASS A

PART NO. MMSP-8652



OUTLINE DRAWING



MICRO-MODE PRODUCTS, INC.
The Reliable Connection to the Future

El Cajon, CA 92020
ph 619.449.3844
www.micromode.com

CAGE CODE
15907

ASSY PROCEDURES:

INSERTION/EXTRACTION TOOL: MMTL-15363

MMSP FEMALE (.345 OAL)
BLINDMATE INTERCONNECT

PART NO.

MMSP-8652

REVISION

A

SHEET 1 OF 1 | OL8652 8-18-06 | MD EB