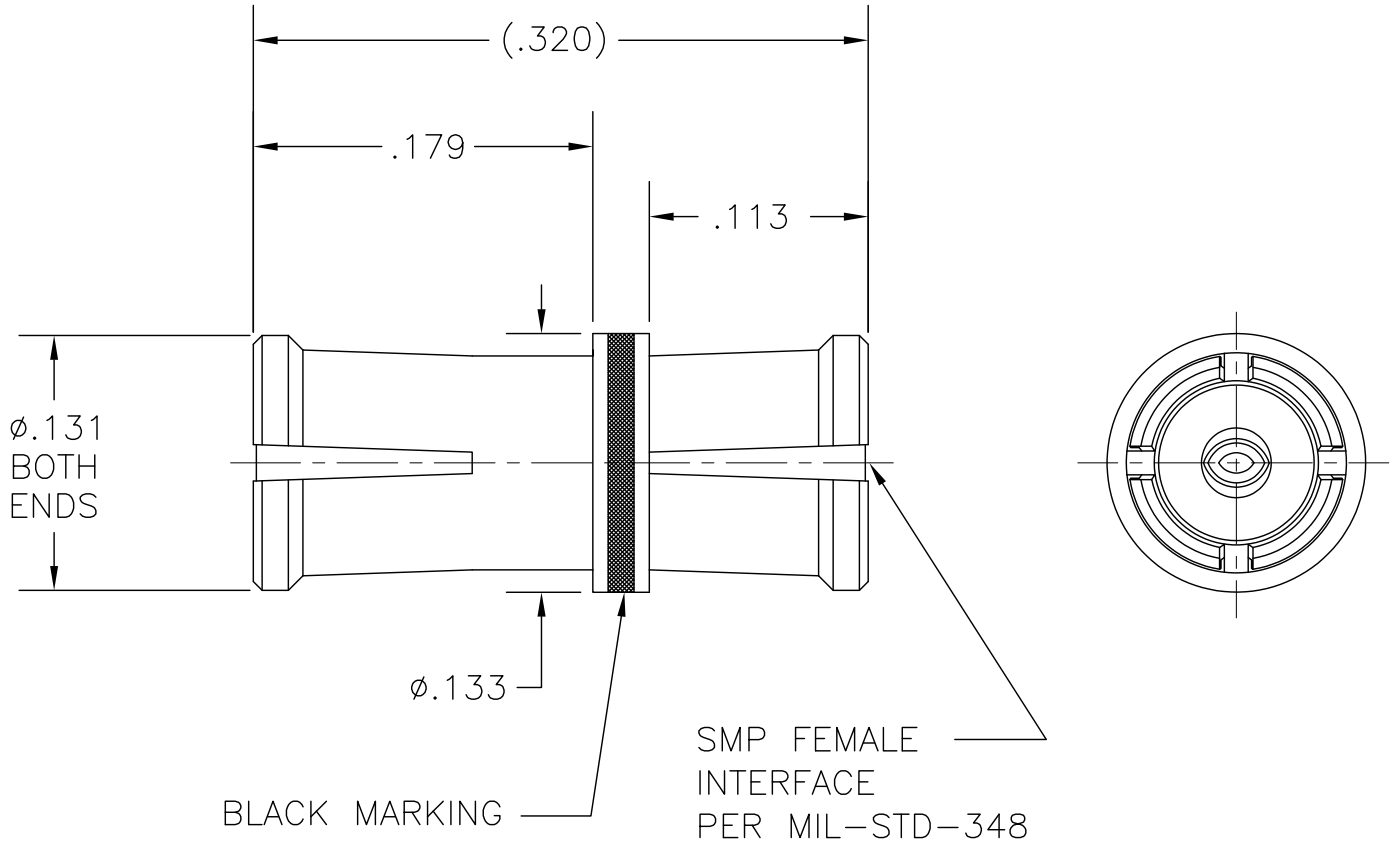



COMPONENT	MATERIAL AND FINISH	
BODY & CONTACT	BeCu, ASTM B196, UNS C17300	GOLD PLATE, MIL-DTL-45204, TYPE 1, GRADE C, CLASS 1
INSULATOR	PTFE, ASTM D1710, TYPE I, GRADE 1, CLASS A	
MARKING	BLACK INK	NASA SP-R-0022

PART NO. MMSP-7632

OUTLINE DRAWING



 MICRO-MODE PRODUCTS, INC. <i>The Reliable Connection to the Future</i>	El Cajon, CA 92020 ph 619.449.3844 www.micromode.com	CAGE CODE 15907
	ASSY PROCEDURES: INSERTION/EXTRACTION TOOL: MMTL-2680	
MMSP FEMALE (.320 OAL) BLINDMATE INTERCONNECT		REVISION A
SHEET 1 OF 1 OL7632 8-25-04 MP .		PART NO. MMSP-7632