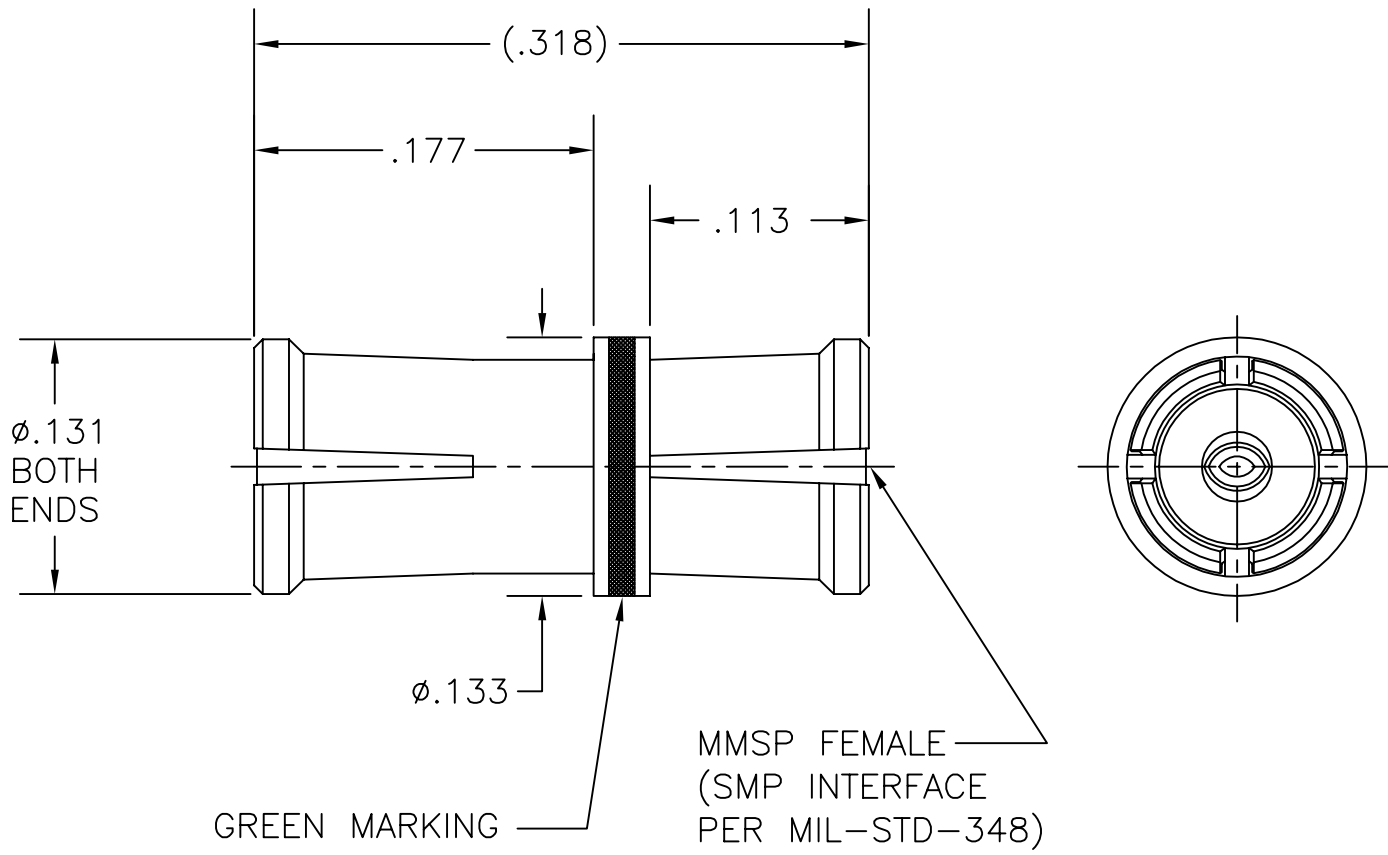


COMPONENT	MATERIAL AND FINISH	
BODY & CONTACT	BeCu, ASTM B196, UNS C17300	GOLD PLATE, MIL-G-45204, TYPE 1, GRADE C, CLASS 1
INSULATOR	PTFE, ASTM D1710, TYPE I, GRADE 1, CLASS A	
MARKING	GREEN INK	NASA SP-R-0022

PART NO. MMSP-7631

OUTLINE DRAWING



MICRO-MODE PRODUCTS, INC.
The Reliable Connection to the Future

El Cajon, CA 92020
ph 619.449.3844
www.micromode.com

CAGE CODE
15907

ASSY PROCEDURES:		MMSP FEMALE (.318 OAL)	
INSERTION/EXTRACTION TOOL: MMTL-2680		BLINDMATE INTERCONNECT	
SHEET 1 OF 1		PART NO.	REVISION
OL7631	8-25-04	MP .	MMSP-7631
			—