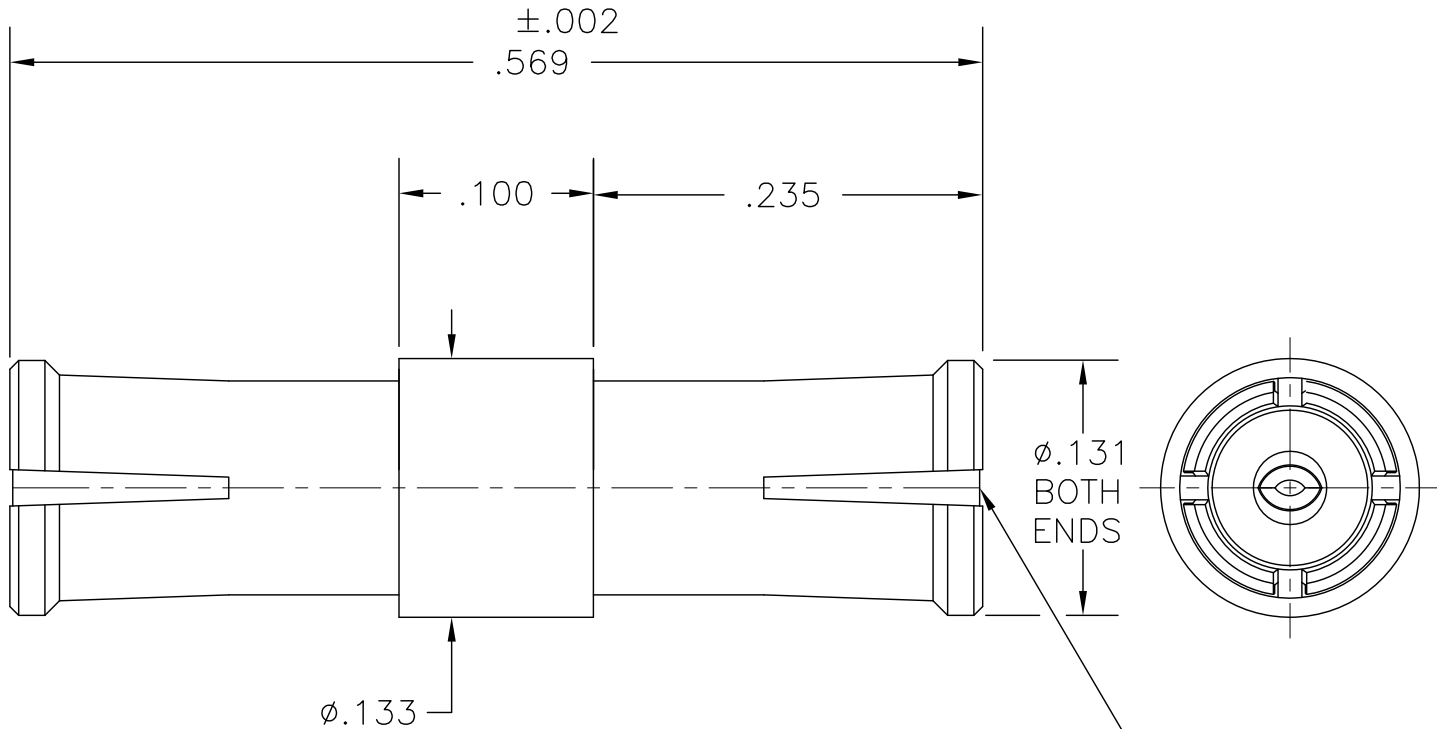


COMPONENT	MATERIAL AND FINISH	
BODY & CONTACT	BeCu, ASTM B196, UNS C17300	GOLD PLATE, MIL-G-45204, TYPE 1, GRADE C, CLASS 1
INSULATOR	PTFE, ASTM D1710, TYPE I, GRADE 1, CLASS A	

PART NO. MMSP-7350



OUTLINE DRAWING

MMSP FEMALE
(SMP INTERFACE
PER MIL-STD-348)



MICRO-MODE PRODUCTS, INC.
The Reliable Connection to the Future

El Cajon, CA 92020
ph 619.449.3844
www.micromode.com

CAGE CODE
15907

ASSY PROCEDURES:

INSERTION/EXTRACTION TOOL: MMTL-2680

MMSP FEMALE (.569 OAL)
BLINDMATE INTERCONNECT

PART NO.

MMSP-7350

REVISION

D

SHEET 1 OF 1 | OL7350 4-12-00 PAC