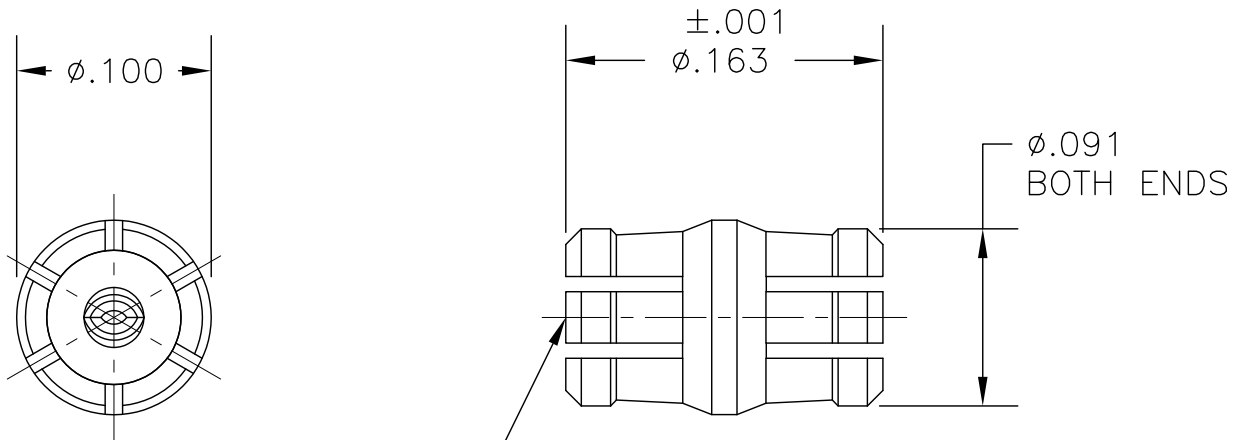


COMPONENT	MATERIAL AND FINISH	
BODY & CONTACT	BeCu, ASTM B196, UNS C17300	GOLD PLATE, MIL-G-45204, TYPE 1, GRADE C, CLASS 1
INSULATOR	PTFE, ASTM D1710, TYPE I, GRADE 1, CLASS A	

PART NO. MSSP-7164

OUTLINE DRAWING



SMPM FEMALE
INTERFACE
PER MIL-STD-348
BOTH ENDS



MICRO-MODE PRODUCTS, INC.
The Reliable Connection to the Future

El Cajon, CA 92020
ph 619.449.3844
www.micromode.com

CAGE CODE
15907

ASSY PROCEDURES: N/A

SMPM BULLET, .163 OAL

INSERTION/EXTRACTION TOOL: MMTL-6460

PART NO.

MSSP-7164

REVISION

A

SHEET 1 OF 1 | OL7164 8-21-17 | MT MP