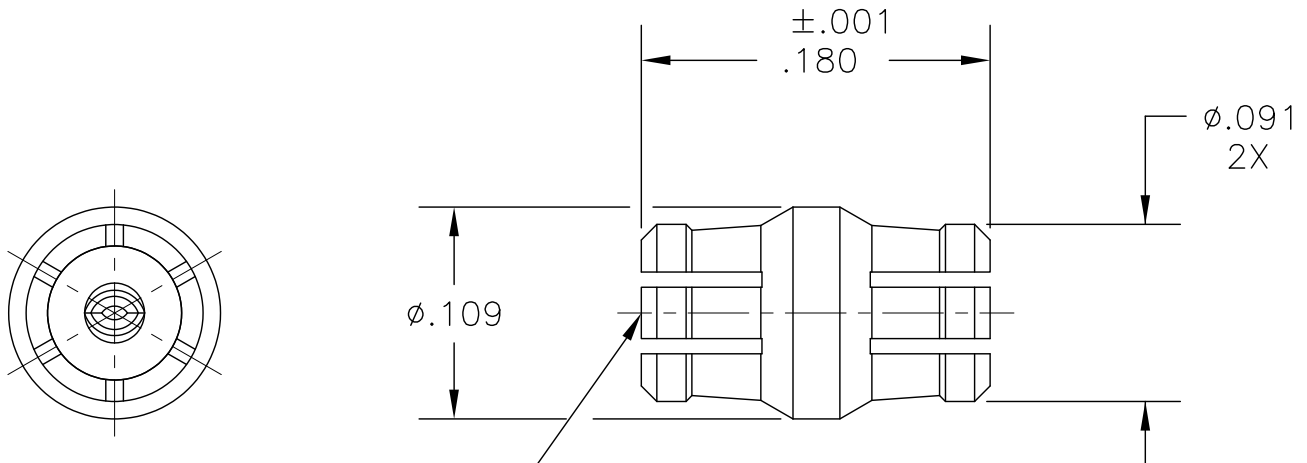


COMPONENT	MATERIAL AND FINISH	
BODY & CONTACT	BeCu, ASTM B196, UNS C17300	GOLD PLATE, MIL-G-45204, TYPE 1, GRADE C, CLASS 1
INSULATOR	PTFE, ASTM D1710, TYPE I, GRADE 1, CLASS A	

PART NO. MSSP-7053

OUTLINE DRAWING



MSSP FEMALE
(SMPM INTERFACE
PER MIL-STD-348)
2X



MICRO-MODE PRODUCTS, INC.
The Reliable Connection to the Future

El Cajon, CA 92020
ph 619.449.3844
www.micromode.com

CAGE CODE
15907

ASSY PROCEDURES: N/A

INSERTION/EXTRACTION TOOL: MMTL-7407

MSSP FEMALE
BLINDMATE INTERCONNECT

PART NO.

MSSP-7053

REVISION

A

SHEET 1 OF 1 OL7053 5-11-06 MD .