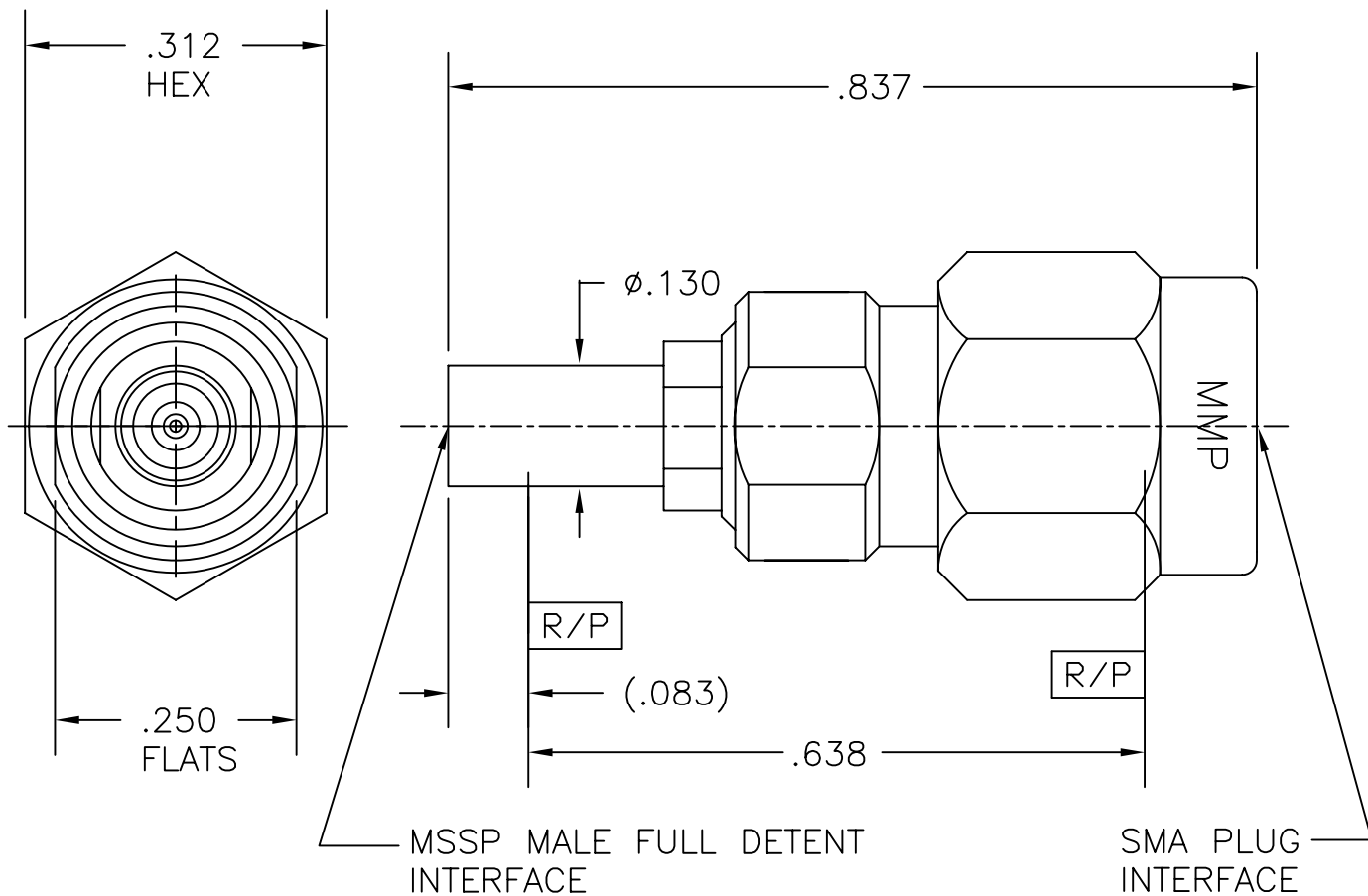


COMPONENT	MATERIAL AND FINISH	
CONTACT	BeCu, ASTM B196, UNS C17300	GOLD PLATE, MIL-G-45204, TYPE 1, GRADE C, CLASS 1
INSULATORS	PTFE, ASTM D1710, TYPE I, GRADE 1, CLASS A	
BODY, COUPLING NUT	303 CRES, ASTM A582	PASSIVATE, AMS-QQ-P-35

PART NO. MADP-6538

OUTLINE DRAWING



MICRO-MODE PRODUCTS, INC.  
*The Reliable Connection to the Future*

El Cajon, CA 92020  
ph 619.449.3844  
www.micromode.com

CAGE CODE  
15907

ASSY PROCEDURES: N/A	MSSP MALE FULL DETENT TO SMA PLUG ADAPTER	PART NO. MADP-6538	REVISION A
INSERTION/EXTRACTION TOOL: N/A			
SHEET 1 OF 1	OL6538 12-6-01	RF EB	