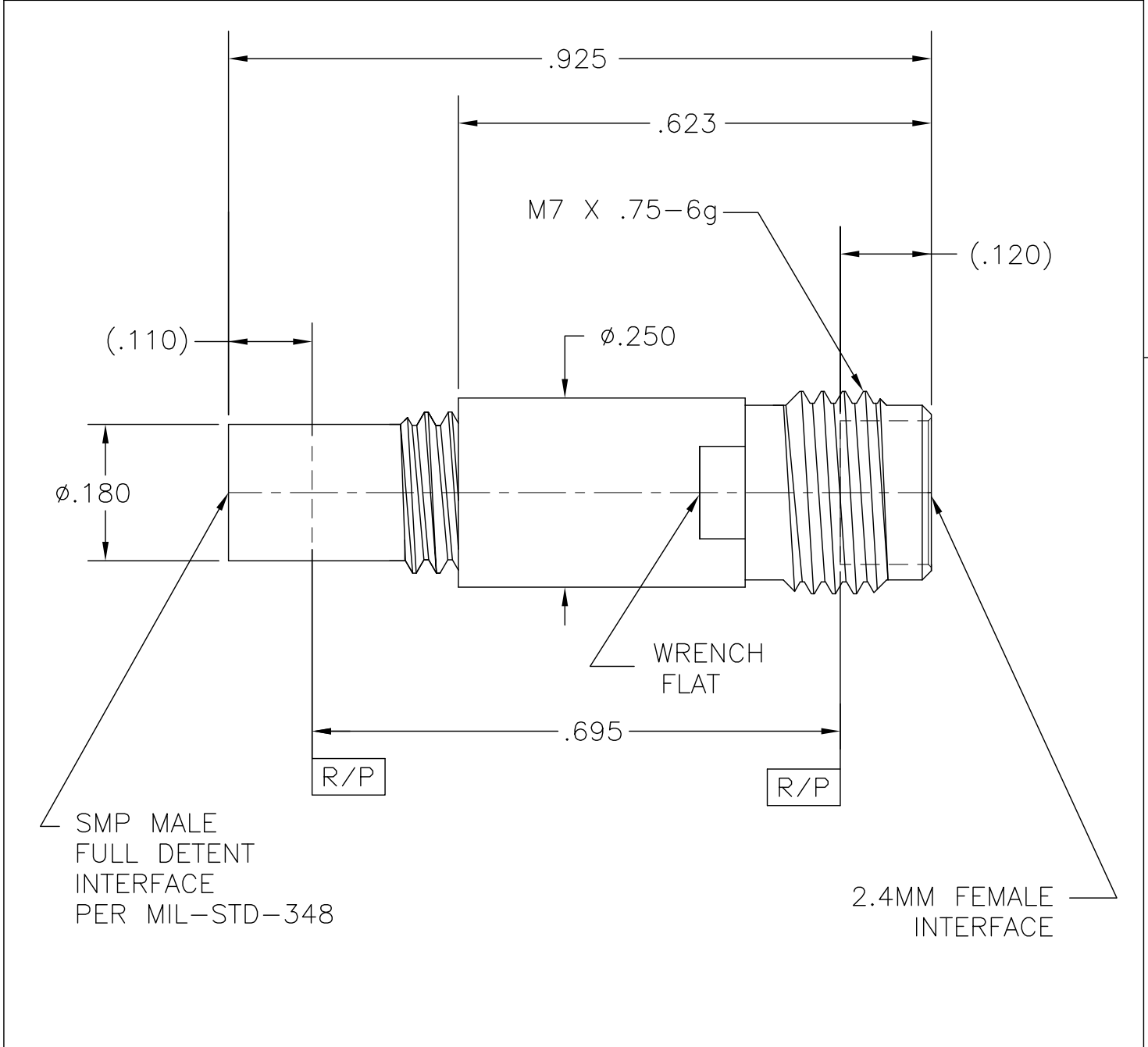



COMPONENT	MATERIAL AND FINISH	
2.4MM BODY, CONTACT & INSERT	BeCu, ASTM B196, UNS C17300	GOLD PLATE, MIL-DTL-45204, TYPE 1, GRADE C, CLASS 1
INSULATORS	PTFE, ASTM D1710, TYPE I, GRADE 1, CLASS A	
MMSP (FD) BODY	303 CRES, ASTM A582	PASSIVATE, AMS-QQ-P-35

PART NO. MADP-6136

OUTLINE DRAWING



 MICRO-MODE PRODUCTS, INC. <i>The Reliable Connection to the Future</i>	El Cajon, CA 92020 ph 619.449.3844 www.micromode.com	CAGE CODE 15907
	ASSY PROCEDURES: N/A INSERTION/EXTRACTION TOOL: N/A	
MMSP (M) FULL DETENT TO 2.4MM FEMALE ADAPTER		PART NO. MADP-6136
SHEET 1 OF 1 OL6136 11-19-98 PC		REVISION E