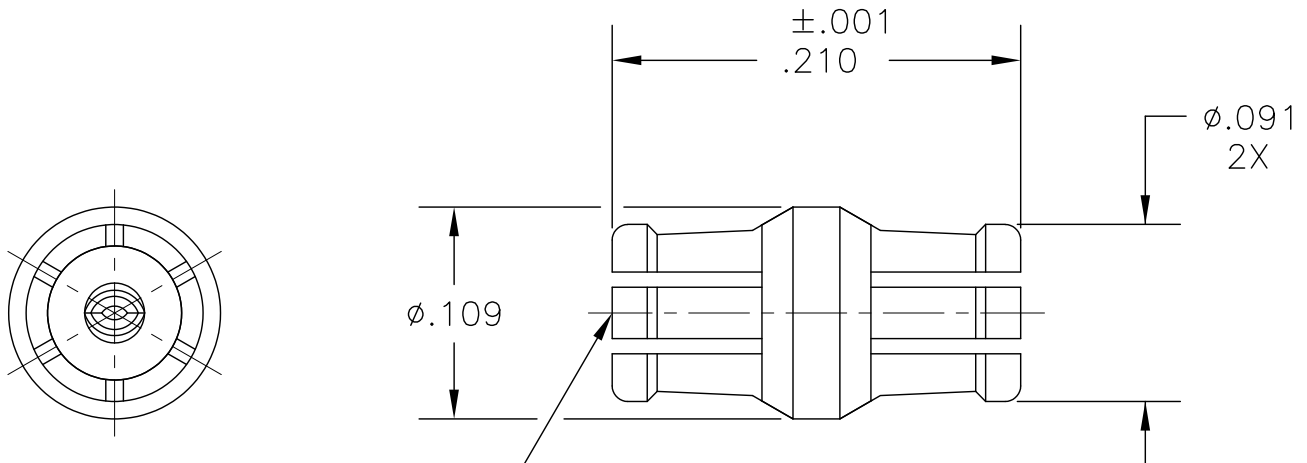


COMPONENT	MATERIAL AND FINISH	
BODY & CONTACT	BeCu, ASTM B196, UNS C17300	GOLD PLATE, MIL-G-45204, TYPE 1, GRADE C, CLASS 1
INSULATOR	PTFE, ASTM D1710, TYPE I, GRADE 1, CLASS A	

PART NO. MSSP-5788

OUTLINE DRAWING



SMPM FEMALE
INTERFACE
PER MIL-STD-348
2X



MICRO-MODE PRODUCTS, INC.
The Reliable Connection to the Future

El Cajon, CA 92020
ph 619.449.3844
www.micromode.com

CAGE CODE
15907

ASSY PROCEDURES: N/A

INSERTION/EXTRACTION TOOL: MMTL-7407

SMPM FEMALE
BLINDMATE INTERCONNECT

PART NO.

MSSP-5788

REVISION

C

SHEET 1 OF 1 | OL5788 01-28-03 MT .