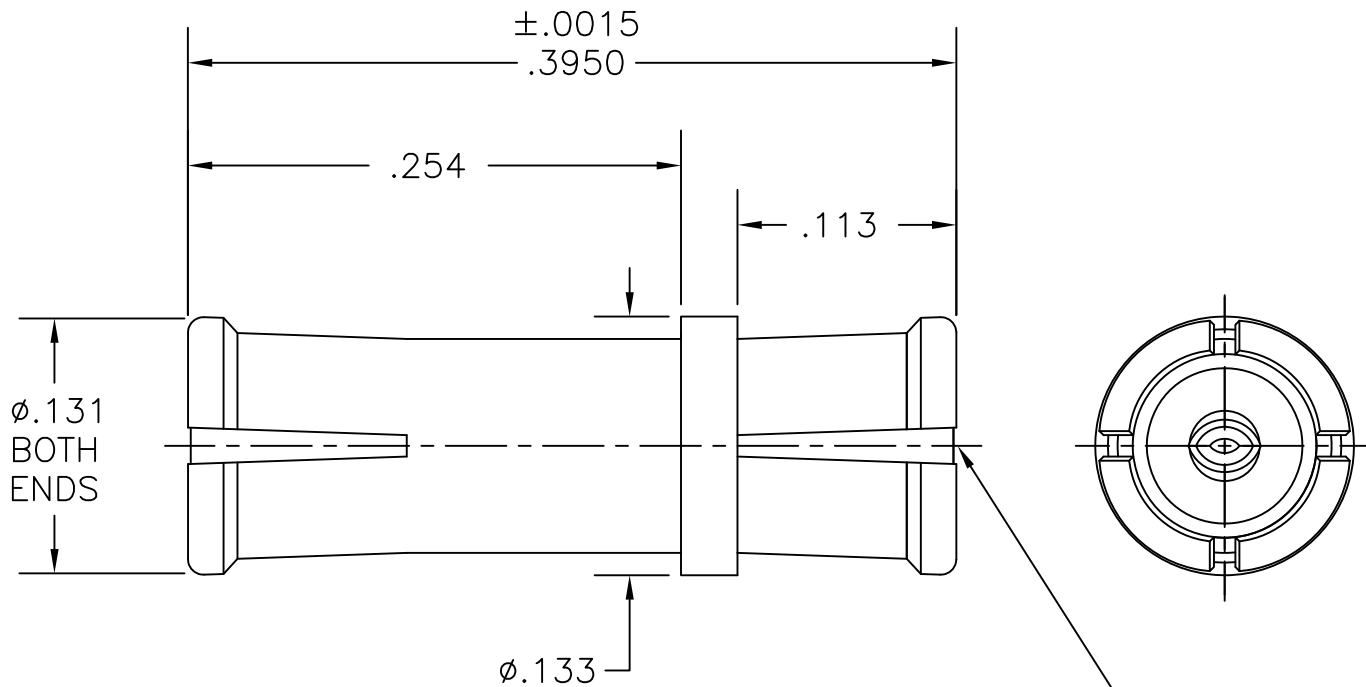


COMPONENT	MATERIAL AND FINISH	
BODY & CONTACT	BeCu, ASTM B196, UNS C17300	GOLD PLATE, MIL-G-45204, TYPE 1, GRADE C, CLASS 1
INSULATOR	PTFE, ASTM D1710, TYPE I, GRADE 1, CLASS A	

PART NO. MMSP-2599



SMP FEMALE
INTERFACE
PER MIL-STD-348

OUTLINE DRAWING



MICRO-MODE PRODUCTS, INC.
The Reliable Connection to the Future

El Cajon, CA 92020
ph 619.449.3844
www.micromode.com

CAGE CODE
15907

ASSY PROCEDURES:		SMP FEMALE (.395 OAL) BLINDMATE INTERCONNECT	
INSERTION/EXTRACTION TOOL: MMTL-2680		PART NO.	REVISION
SHEET 1 OF 1	OL2599 4-27-98 JC	MMSP-2599	H