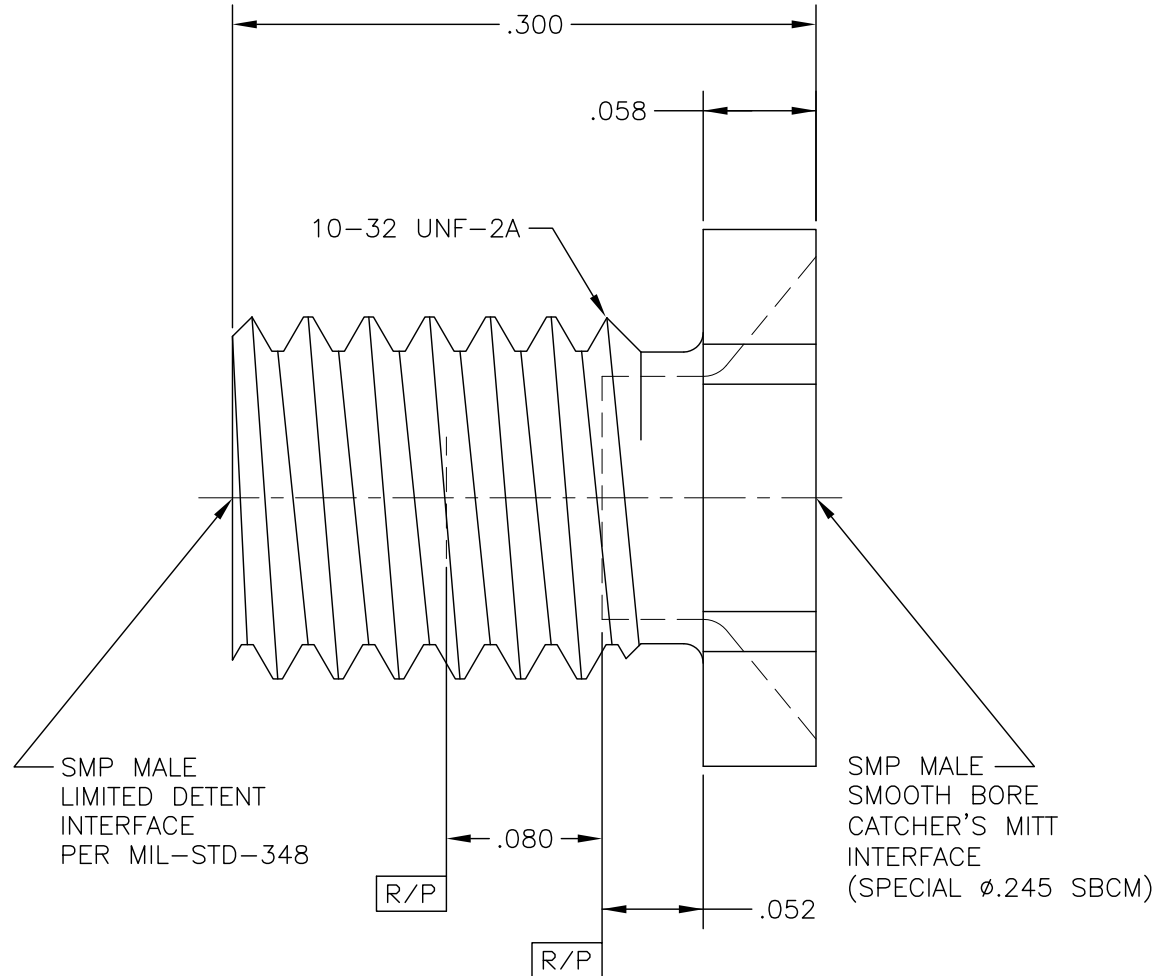
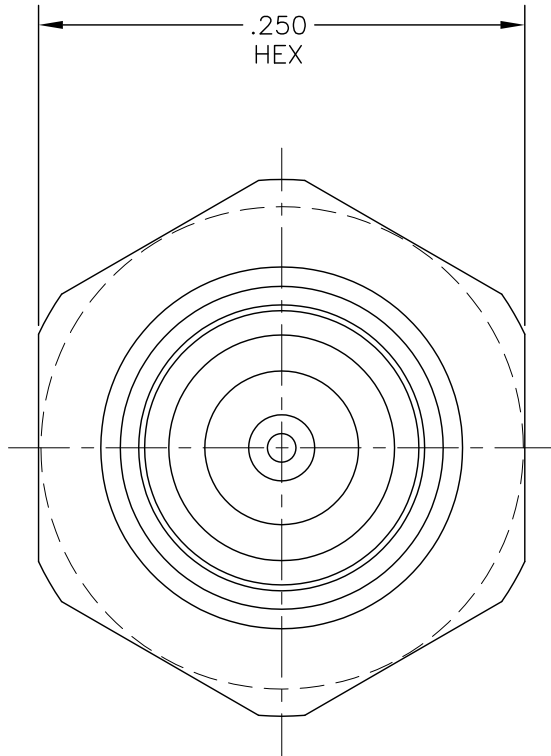


OUTLINE DRAWING



COMPONENT	MATERIAL & FINISH	MICRO-MODE PRODUCTS, INC. <i>The Reliable Connection to the Future</i>	El Cajon, CA 92020 ph 619.449.3844 www.micromode.com	CAGE CODE 15907
CONTACT	BeCu, ASTM B196, UNS C17300 GOLD PLATE, MIL-C-45204, TYPE 1, GRADE C, CLASS 1	ASSY PROCEDURES: N/A	SMP MALE, LD TO SBCM THREAD-IN ADAPTER	
INSULATOR	PTFE, ASTM D1710, TYPE I, GRADE 1, CLASS A	INSERTION/EXTRACTION TOOL: N/A		
BODY	303 CRES, ASTM A582 PASSIVATE, AMS-QQ-P-35		PART NO. MMSP-13730	REVISION —
		SHEET 1 OF 1	10-28-14 . MP	

OUTLINE DRAWING