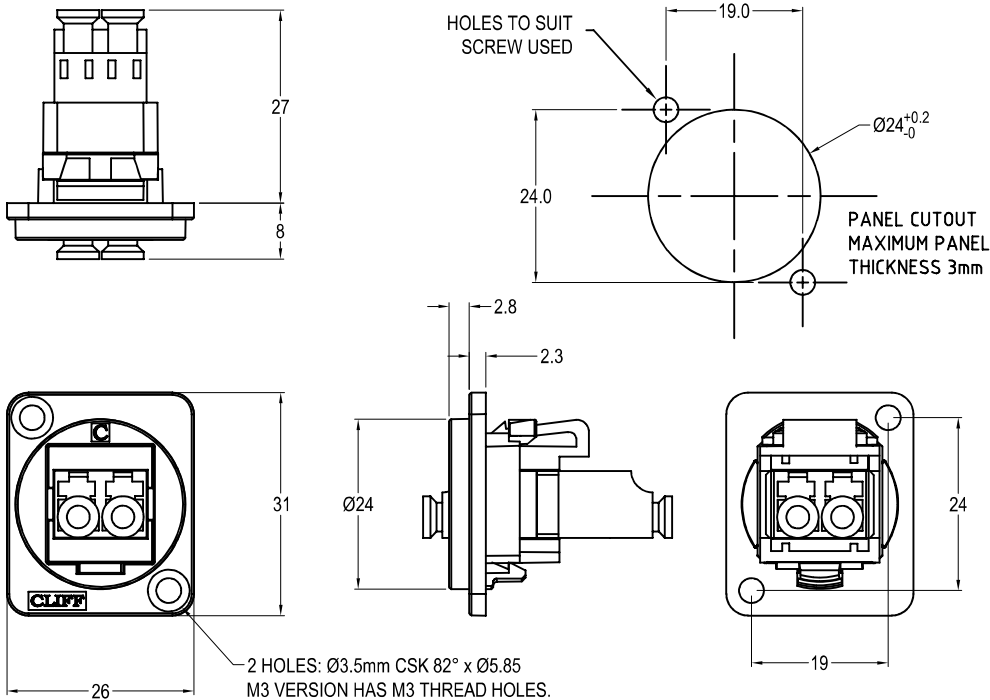




LC APC DUPLEX METAL FEEDTHROUGH CONNECTOR



Feedthrough Features

- Fits standard XLR $\text{Ø}24\text{mm}$ cutout.
- No soldering or punch termination. Use standard cable for each connector style.
- Front or rear mounted.
- Low rear profile

General:

Please note: Functionality is affected by cable quality, length and cable wiring configuration.

VARIANTS

Part No.

- CP30248MB** LC APC Duplex Black metal frame, CSK holes
- CP30248M3B** LC APC Duplex Black metal frame, M3 holes

Material:

1. Coupler Body: PC
2. Sleeve: Ceramic
3. Dust Cover: PE
4. Insert: ABS/PC
5. Frame: Black Nickel plated zinc diecast

Notes:

1. Insertion Loss: $\leq 0.3\text{dB}$