

REF34xx-EP Low-Drift, Low-Power, Small-Footprint Series Voltage Reference

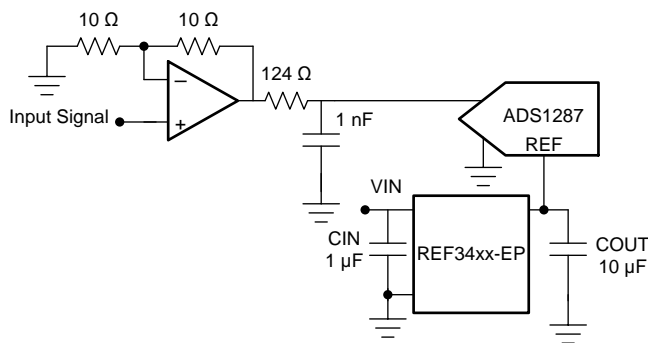
1 Features

- Initial accuracy: $\pm 0.05\%$ (maximum)
- Temperature coefficient: 10 ppm/°C (maximum)
- Output current: ± 10 mA
- Low quiescent current: 95 μ A (maximum)
- Wide input voltage: 12 V
- Output 1/f noise (0.1 Hz to 10 Hz): 3.8 μ V_{PP}/V
- Small footprint 6-pin SOT-23 package
- Excellent long-term stability 25 ppm/1000 hrs
- Supports defense, aerospace, and medical applications:
 - Controlled baseline
 - One assembly/test site
 - One fabrication site
 - Available extended (-55°C to 125°C) temperature range
 - Extended product life cycle
 - Extended product-change notification
 - Product traceability

2 Applications

- Precision data acquisition systems
- PLC analog I/O modules
- Field transmitters
- Industrial instrumentation
- Test equipment
- Power monitoring

Simplified Schematic



Copyright © 2017, Texas Instruments Incorporated

3 Description

The REF34xx-EP device is a low temperature drift (10 ppm/°C), low-power, high-precision CMOS voltage reference, featuring $\pm 0.05\%$ initial accuracy, low operating current with power consumption less than 95 μ A. This device also offers very low output noise of 3.8 μ V_{PP}/V, which enables its ability to maintain high signal integrity with high-resolution data converters in noise critical systems. With a small SOT-23 package, REF34xx-EP offers enhanced specifications and pin-to-pin replacement for MAX607x and ADR34xx. The REF34xx-EP family is compatible to most ADC and DAC.

Stability and system reliability are further improved by the low output-voltage hysteresis of the device and low long-term output voltage drift. The small size and low operating current of the devices (95 μ A) can benefit portable and battery-powered applications.

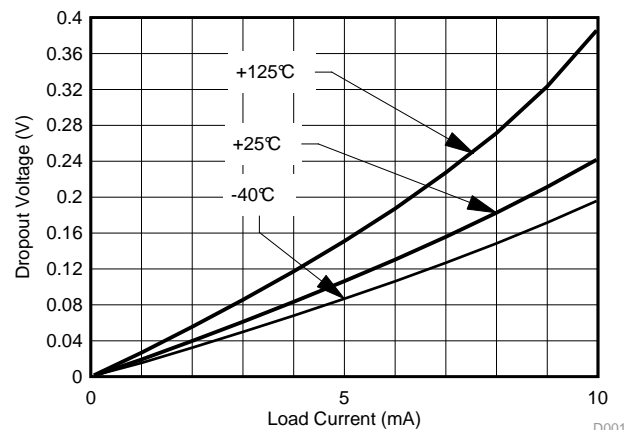
REF34xx-EP is specified for the wide temperature range of -55°C to 125°C . Contact the TI sales representative for additional voltage options.

Device Information⁽¹⁾

PART NAME	PACKAGE	BODY SIZE (NOM)
REF3425-EP	SOT-23 (6)	2.90 mm x 1.60 mm
REF3430-EP		
REF3433-EP		
REF3440-EP		

(1) For all available packages, see the orderable addendum at the end of the data sheet.

Dropout vs Current Load Over Temperature



D001



Table of Contents

1 Features	1	9.2 Functional Block Diagram	13
2 Applications	1	9.3 Feature Description	13
3 Description	1	9.4 Device Functional Modes	14
4 Revision History	2	10 Application and Implementation	15
5 Device Comparison Table	3	10.1 Application Information	15
6 Pin Configuration and Functions	3	10.2 Typical Application: Basic Voltage Reference Connection	15
7 Specifications	4	11 Power Supply Recommendations	17
7.1 Absolute Maximum Ratings	4	12 Layout	18
7.2 ESD Ratings	4	12.1 Layout Guidelines	18
7.3 Recommended Operating Conditions	4	12.2 Layout Example	18
7.4 Thermal Information	4	13 Device and Documentation Support	19
7.5 Electrical Characteristics	5	13.1 Documentation Support	19
7.6 Typical Characteristics	7	13.2 Related Links	19
8 Parameter Measurement Information	10	13.3 Receiving Notification of Documentation Updates	19
8.1 Solder Heat Shift	10	13.4 Community Resources	19
8.2 Long-Term Stability	11	13.5 Trademarks	19
8.3 Power Dissipation	11	13.6 Electrostatic Discharge Caution	19
8.4 Noise Performance	12	13.7 Glossary	19
9 Detailed Description	13	14 Mechanical, Packaging, and Orderable Information	20
9.1 Overview	13		

4 Revision History

NOTE: Page numbers for previous revisions may differ from page numbers in the current version.

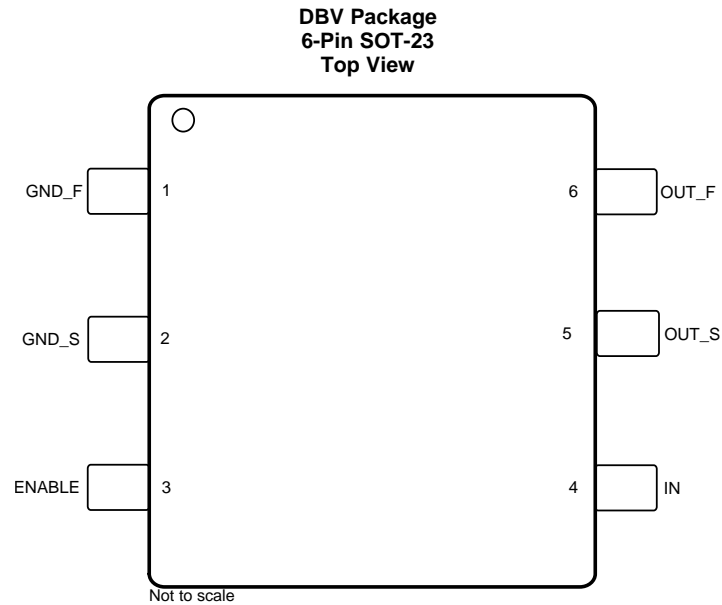
Changes from Revision A (March 2019) to Revision B	Page
• Added information about long-term stability throughout the data sheet	1
• Added long-term stability in <i>Electrical Characteristics</i> table	5
• Added <i>Long-Term Stability</i> section in <i>Parameter Measurement Information</i> section	11

Changes from Original (December 2018) to Revision A	Page
• Added new devices to the data sheet	1

5 Device Comparison Table

PRODUCT	V _{OUT}
REF3425-EP	2.5 V
REF3430-EP	3 V
REF3433-EP	3.3 V
REF3440-EP	4.096 V

6 Pin Configuration and Functions



Pin Functions

PIN		TYPE	DESCRIPTION
NO.	NAME		
1	GND_F	Ground	Ground force connection.
2	GND_S	Ground	Ground sense connection.
3	ENABLE	Input	Enable connection. Enables or disables the device.
4	IN	Power	Input supply voltage connection.
5	OUT_S	Output	Reference voltage output sense connection.
6	OUT_F	Output	Reference voltage output force connection.

7 Specifications

7.1 Absolute Maximum Ratings

over operating free-air temperature range (unless otherwise noted)⁽¹⁾

		MIN	MAX	UNIT
Input voltage	IN	$V_{REF} + 0.05$	13	V
	EN	-0.3	IN + 0.3	
Output voltage	V_{REF}	-0.3	5.5	V
Output short circuit current			20	mA
Temperature	Operating, $T_j^{(2)}$	-55	150	°C
	Storage, T_{stg}	-65	170	

- (1) Stresses beyond those listed under *Absolute Maximum Ratings* may cause permanent damage to the device. These are stress ratings only, which do not imply functional operation of the device at these or any other conditions beyond those indicated under *Recommended Operating Conditions*. Exposure to absolute-maximum-rated conditions for extended periods may affect device reliability.
- (2) By design, the device is specified functional over the operating temperature of -55°C to 150°C.

7.2 ESD Ratings

		VALUE	UNIT
$V_{(ESD)}$ Electrostatic discharge	Human-body model (HBM), per ANSI/ESDA/JEDEC JS-001 ⁽¹⁾	±2500	V
	Charged-device model (CDM), per JEDEC specification JESD22-C101 ⁽²⁾	±1500	

- (1) JEDEC document JEP155 states that 500-V HBM allows safe manufacturing with a standard ESD control process.
- (2) JEDEC document JEP157 states that 250-V CDM allows safe manufacturing with a standard ESD control process.

7.3 Recommended Operating Conditions

over operating free-air temperature range (unless otherwise noted)

		MIN	NOM	MAX	UNIT
IN	Supply input voltage ($I_L = 0$ mA, $T_A = 25^\circ\text{C}$)	$V_{REF} + V_{DO}^{(1)}$		12	V
EN	Enable voltage	0		IN	V
I_L	Output current	-10		10	mA
T_j	Operating temperature	-55	25	125	°C

- (1) Dropout voltage.

7.4 Thermal Information

THERMAL METRIC ⁽¹⁾		REF34xx-EP	UNIT
		DBV (SOT-23)	
		6 PINS	
$R_{\theta JA}$	Junction-to-ambient thermal resistance	185	°C/W
$R_{\theta JC(top)}$	Junction-to-case (top) thermal resistance	156	°C/W
$R_{\theta JB}$	Junction-to-board thermal resistance	29.6	°C/W
Ψ_{JT}	Junction-to-top characterization parameter	33.8	°C/W
Ψ_{JB}	Junction-to-board characterization parameter	29.1	°C/W

- (1) For more information about traditional and new thermal metrics, see the *Semiconductor and IC Package Thermal Metrics* application report.

7.5 Electrical Characteristics

At $T_A = 25^\circ\text{C}$ unless otherwise noted.

PARAMETER		TEST CONDITIONS		MIN	TYP	MAX	UNIT	
ACCURACY AND DRIFT								
Output voltage accuracy		$T_A = 25^\circ\text{C}$		-0.05%		0.05%		
Output voltage temperature coefficient ⁽¹⁾		$-55^\circ\text{C} \leq T_A \leq 125^\circ\text{C}$			2.5	10	ppm/ $^\circ\text{C}$	
LINE AND LOAD REGULATION								
$\Delta V_{(O\Delta V_{IN})}$ Line regulation ⁽²⁾	$V_{IN} = 2.55\text{ V to }12\text{ V}, T_A = 25^\circ\text{C}$			2			ppm/V	
	$V_{IN} = V_{REF} + V_{DO} \text{ to } 12\text{ V}, -55^\circ\text{C} \leq T_A \leq 125^\circ\text{C}$					15		
$\Delta V_{(O\Delta I_L)}$ Load regulation ⁽²⁾	$I_L = 0\text{ mA to }10\text{ mA}, V_{IN} = 3\text{ V}, T_A = 25^\circ\text{C}$	Sourcing		20			ppm/mA	
		Sourcing				30		
	$I_L = 0\text{ mA to }-10\text{ mA}, V_{IN} = V_{REF} + V_{DO}, T_A = 25^\circ\text{C}$	Sinking	REF3425-EP		40			
			REF3430-EP		43			
			REF3440-EP		48			
			REF3440-EP		60			
	$I_L = 0\text{ mA to }-10\text{ mA}, V_{IN} = V_{REF} + V_{DO}, -55^\circ\text{C} \leq T_A \leq 125^\circ\text{C}$	Sinking	REF3425-EP		70			
			REF3430-EP		75			
REF3433-EP				84				
REF3440-EP				98				
I_{SC} Short-circuit current (output shorted to ground)		$V_{REF} = 0, T_A = 25^\circ\text{C}$			18	22	mA	
NOISE								
e_n p-p Output voltage noise ⁽³⁾	$f = 0.1\text{ Hz to }10\text{ Hz}$			5			$\mu\text{V p-p/V}$	
	$f = 0.1\text{ Hz to }10\text{ Hz (REF3440-EP)}$			3.8				
	$f = 10\text{ Hz to }10\text{ kHz}$			24			$\mu\text{V rms}$	
e_n Output voltage noise density	$f = 1\text{ kHz}$			0.25			ppm/ $\sqrt{\text{Hz}}$	
	$f = 1\text{ kHz (REF3440-EP)}$			0.2				
LONG-TERM STABILITY								
Long-term stability ⁽⁴⁾	0 - 1000 hours at 35°C			25			ppm	
	1000 - 2000 hours at 35°C			10				
TURNON								
t_{ON} Turnon time		0.1% of output voltage settling, $C_L = 10\ \mu\text{F}$			2.5		ms	
CAPACITIVE LOAD								
C_L Stable output capacitor value		$-55^\circ\text{C} \leq T_A \leq 125^\circ\text{C}$			0.1	10	μF	

(1) Temperature drift is specified according to the box method. See the [Feature Description](#) section for more details.

(2) The ppm/V and ppm/mA in line and load regulation can be also expressed as $\mu\text{V/V}$ and $\mu\text{V/mA}$.

(3) The peak-to-peak noise measurement procedure is explained in more detail in the [Noise Performance](#) section.

(4) Long-term stability measurement procedure is explained in more in detail in the [Long-Term Stability](#) section.

Electrical Characteristics (continued)

 At $T_A = 25^\circ\text{C}$ unless otherwise noted.

PARAMETER	TEST CONDITIONS		MIN	TYP	MAX	UNIT
OUTPUT VOLTAGE						
V_{REF} Output voltage	REF3425-EP		2.5		V	
	REF3430-EP		3			
	REF3433-EP		3.3			
	REF3440-EP		4.096			
POWER SUPPLY						
V_{IN} Input voltage			$V_{REF} + V_{DO}$		12	V
I_L Output current capacity	$V_{IN} = V_{REF} + V_{DO}$ to 12 V	Sourcing	10		mA	
	$V_{IN} = V_{REF} + V_{DO}$ to 12 V	Sinking	-10			
I_Q Quiescent current	$-55^\circ\text{C} \leq T_A \leq 125^\circ\text{C}$	Active mode		72	95	μA
	$-55^\circ\text{C} \leq T_A \leq 125^\circ\text{C}$	Shutdown mode		2.5	3	
V_{DO} Dropout voltage	$I_L = 0 \text{ mA}, T_A = 25^\circ\text{C}$		50		mV	
	$I_L = 0 \text{ mA}, -55^\circ\text{C} \leq T_A \leq 125^\circ\text{C}$		100			
	$I_L = 10 \text{ mA}, -55^\circ\text{C} \leq T_A \leq 125^\circ\text{C}$		500			
V_{EN} ENABLE pin voltage	Voltage reference in active mode (EN = 1)		1.6		V	
	Voltage reference in shutdown mode (EN = 0)		0.5			
I_{EN} ENABLE pin leakage current	$V_{EN} = V_{IN} = 12 \text{ V}, -55^\circ\text{C} \leq T_A \leq 125^\circ\text{C}$			1	2	μA

7.6 Typical Characteristics

at $T_A = 25^\circ\text{C}$, $V_{IN} = V_{EN} = 12\text{ V}$, $I_L = 0\text{ mA}$, $C_L = 10\ \mu\text{F}$, $C_{IN} = 0.1\ \mu\text{F}$ (unless otherwise noted)

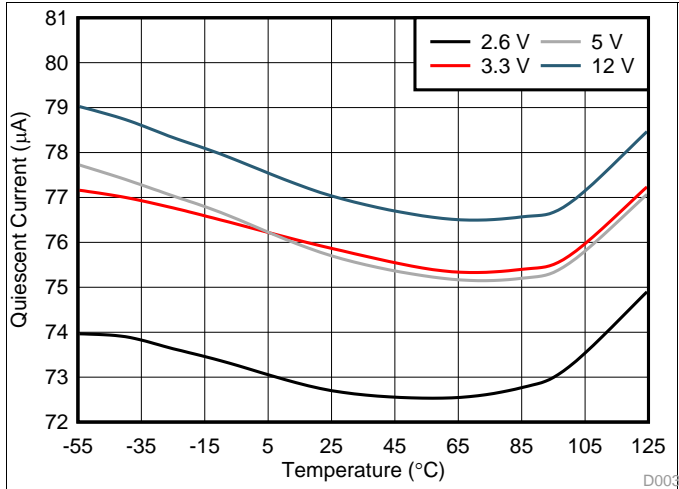


Figure 1. V_{IN} vs I_Q Over Temperature

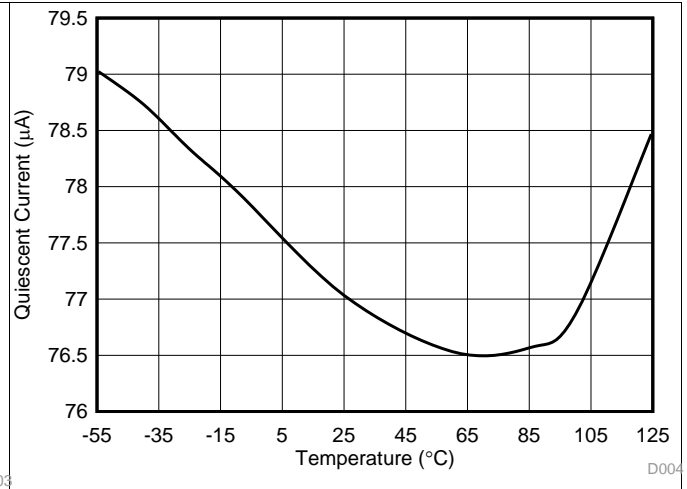


Figure 2. Quiescent Current vs Temperature

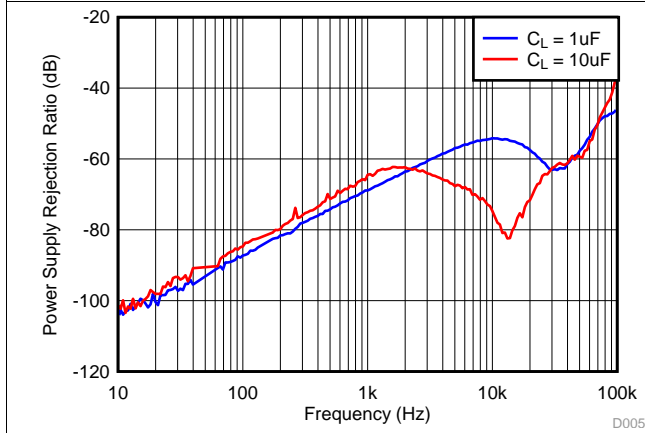


Figure 3. Power-Supply Rejection Ratio vs Frequency

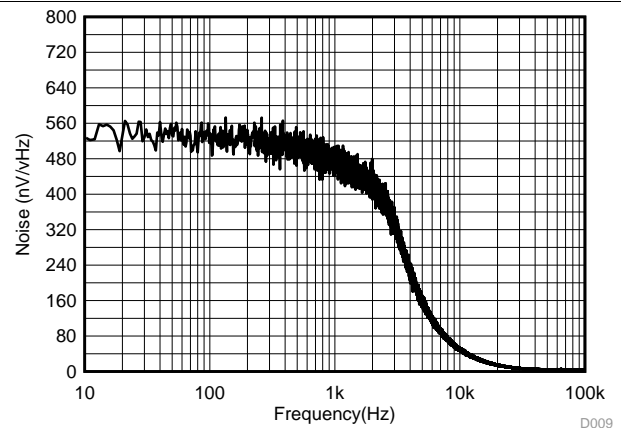


Figure 4. Noise Performance 10 Hz to 10 kHz

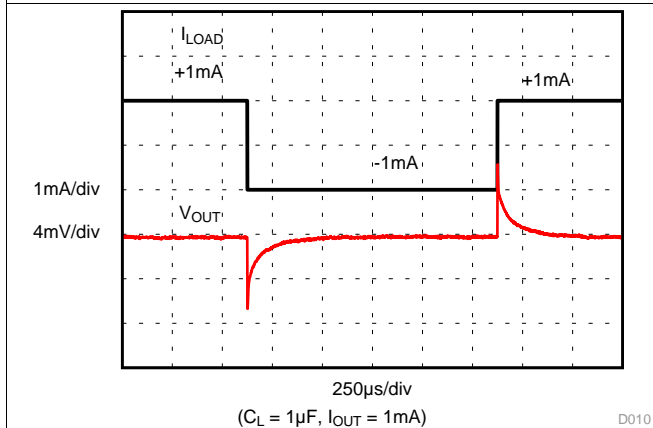


Figure 5. Load Transient

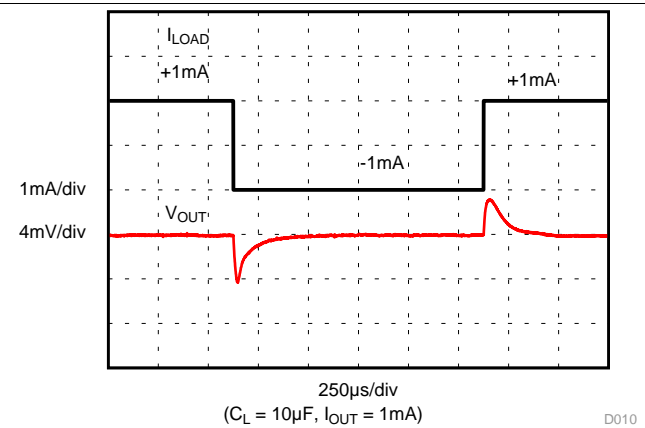
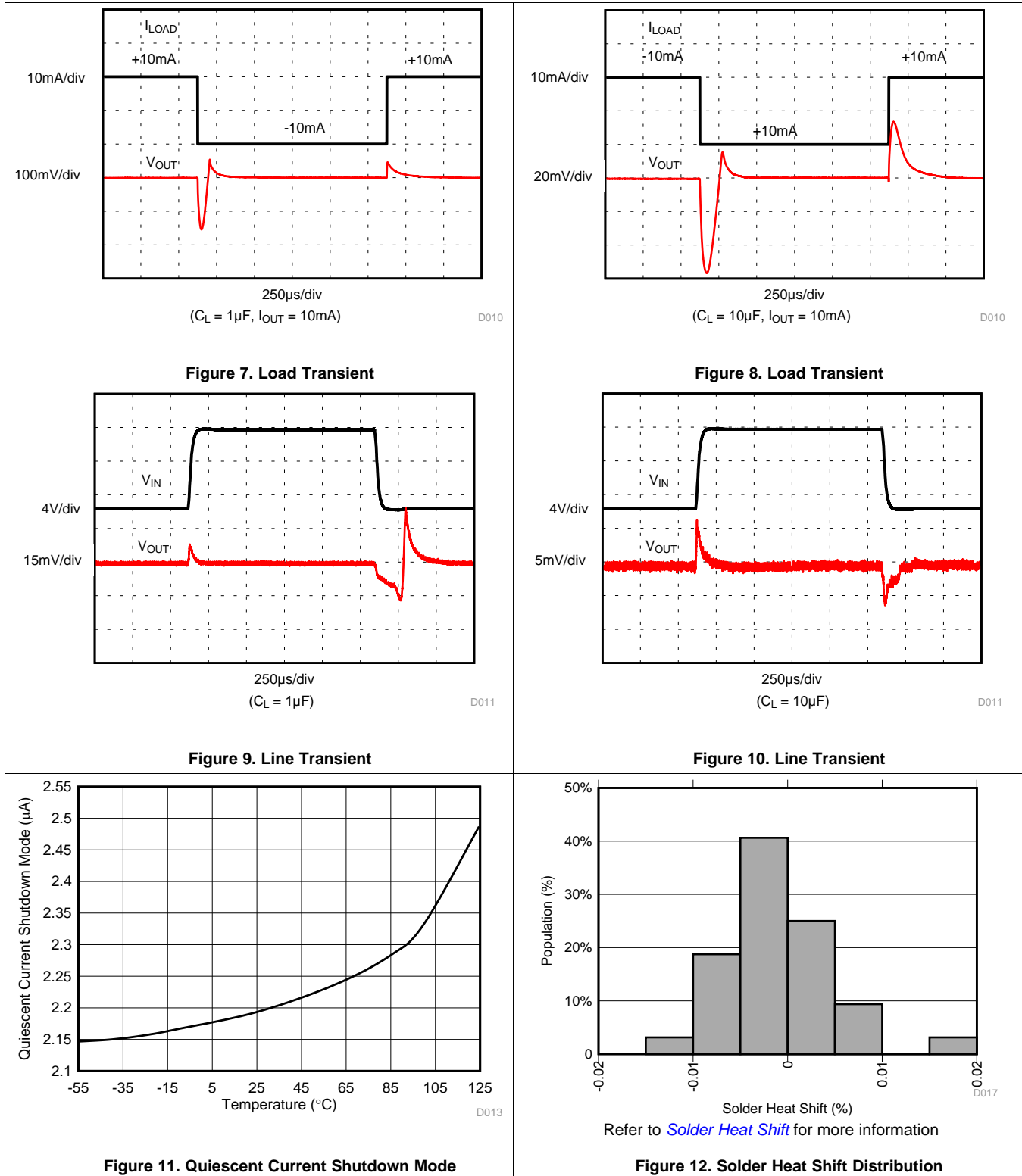


Figure 6. Load Transient

Typical Characteristics (continued)

at $T_A = 25^\circ\text{C}$, $V_{IN} = V_{EN} = 12\text{ V}$, $I_L = 0\text{ mA}$, $C_L = 10\ \mu\text{F}$, $C_{IN} = 0.1\ \mu\text{F}$ (unless otherwise noted)



Typical Characteristics (continued)

at $T_A = 25^\circ\text{C}$, $V_{IN} = V_{EN} = 12\text{ V}$, $I_L = 0\text{ mA}$, $C_L = 10\text{ }\mu\text{F}$, $C_{IN} = 0.1\text{ }\mu\text{F}$ (unless otherwise noted)

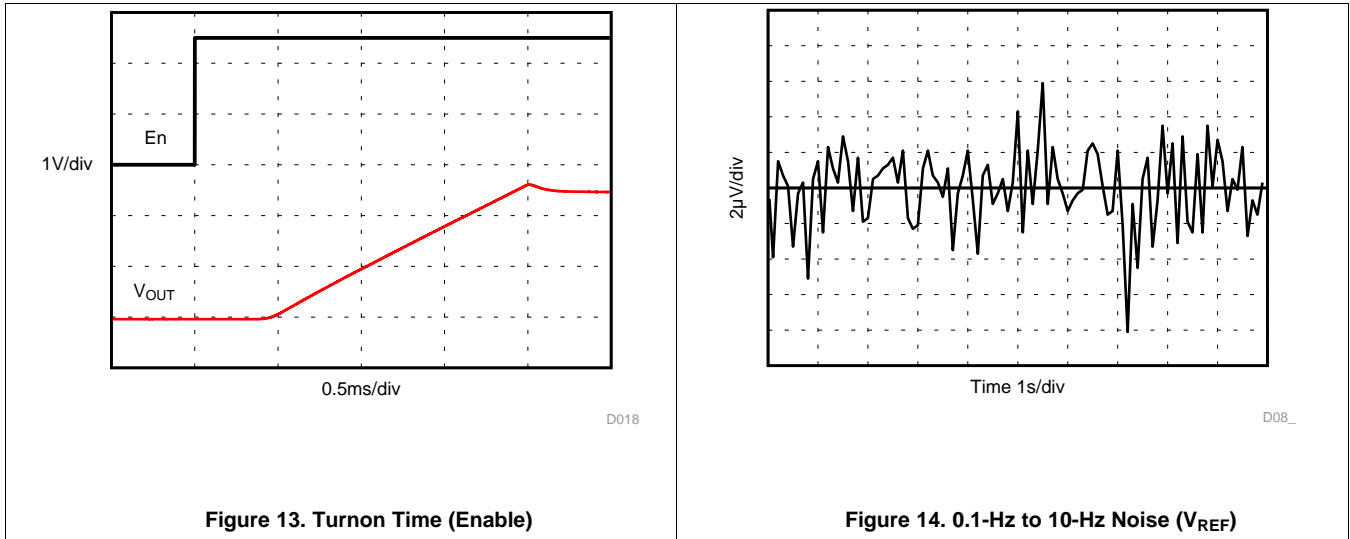


Figure 13. Turnon Time (Enable)

Figure 14. 0.1-Hz to 10-Hz Noise (V_{REF})

8 Parameter Measurement Information

8.1 Solder Heat Shift

The materials used in the manufacture of the REF34xx-EP have differing coefficients of thermal expansion, resulting in stress on the device die when the part is heated. Mechanical and thermal stress on the device die can cause the output voltages to shift, degrading the initial accuracy specifications of the product. Reflow soldering is a common cause of this error.

In order to illustrate this effect, a total of 32 devices were soldered on four printed circuit boards [16 devices on each printed circuit board (PCB)] using lead-free solder paste and the paste manufacturer suggested reflow profile. The reflow profile is as shown in Figure 15. The printed circuit board is comprised of FR4 material. The board thickness is 1.65 mm and the area is 114 mm × 152 mm.

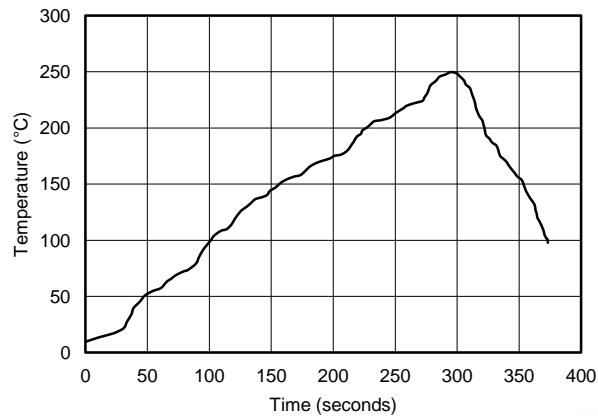


Figure 15. Reflow Profile

The reference output voltage is measured before and after the reflow process; the typical shift is displayed in Figure 16. Although all tested units exhibit very low shifts (< 0.01%), higher shifts are also possible depending on the size, thickness, and material of the printed circuit board. An important note is that the histograms display the typical shift for exposure to a single reflow profile. Exposure to multiple reflows, as is common on PCBs with surface-mount components on both sides, causes additional shifts in the output bias voltage. If the PCB is exposed to multiple reflows, the device must be soldered in the second pass to minimize its exposure to thermal stress.

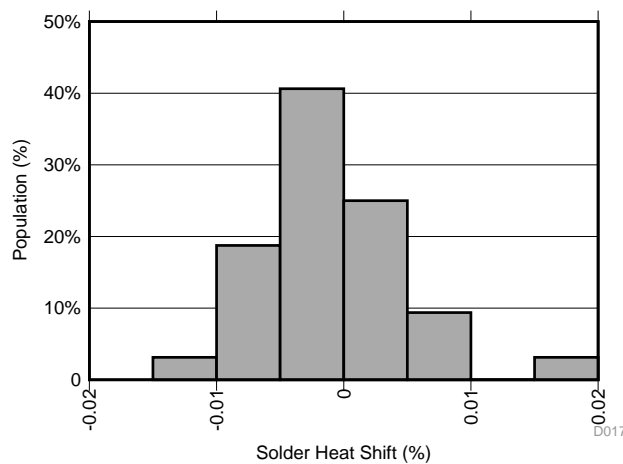


Figure 16. Solder Heat Shift Distribution, V_{REF} (%)

8.2 Long-Term Stability

One of the key parameters of the REF34xx-EP references is long-term stability. Figure 17 shows the typical drift value for the REF34xx-EP is 25 ppm from 0 to 1000 hours. This parameter is characterized by measuring 32 units at regular intervals for a period of 1000 hours. It is important to understand that long-term stability is not ensured by design and that the output from the device may shift beyond the typical 25 ppm specification at any time. For systems that require highly stable output voltages over long periods of time, the designer should consider burning in the devices prior to use to minimize the amount of output drift exhibited by the reference over time.

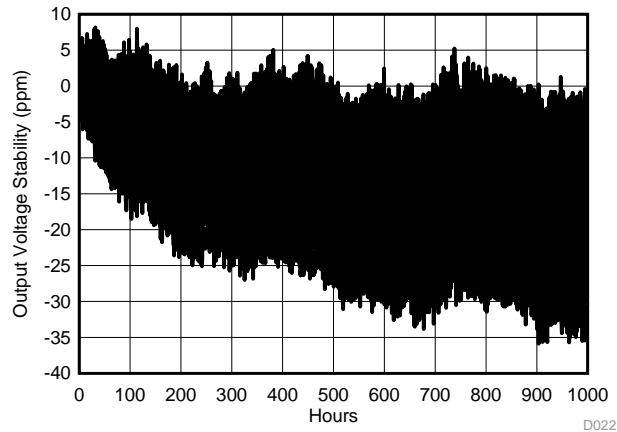


Figure 17. Long Term Stability - 1000 hours (V_{REF})

8.3 Power Dissipation

The REF34xx-EP voltage references are capable of source and sink up to 10 mA of load current across the rated input voltage range. However, when used in applications subject to high ambient temperatures, the input voltage and load current must be carefully monitored to ensure that the device does not exceed its maximum power dissipation rating. The maximum power dissipation of the device can be calculated with Equation 1:

$$T_J = T_A + P_D \times R_{\theta JA}$$

where

- P_D is the device power dissipation
- T_J is the device junction temperature
- T_A is the ambient temperature
- $R_{\theta JA}$ is the package (junction-to-air) thermal resistance (1)

Because of this relationship, acceptable load current in high temperature conditions may be less than the maximum current-sourcing capability of the device. In no case should the device be operated outside of its maximum power rating because doing so can result in premature failure or permanent damage to the device.

8.4 Noise Performance

Typical 0.1-Hz to 10-Hz voltage noise can be seen in [Figure 18](#). Device noise increases with output voltage and operating temperature. Additional filtering can be used to improve output noise levels, although care must be taken to ensure the output impedance does not degrade ac performance. Peak-to-peak noise measurement setup is shown in [Figure 18](#).

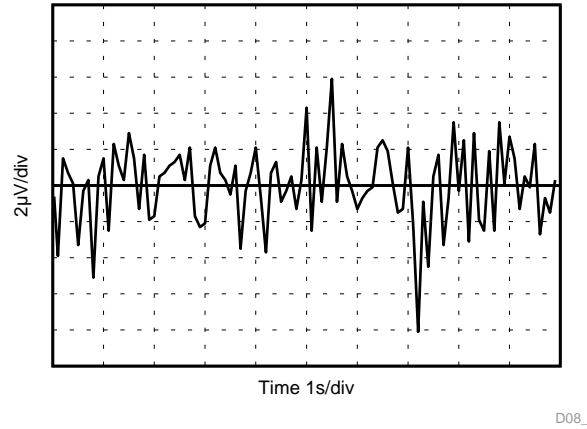


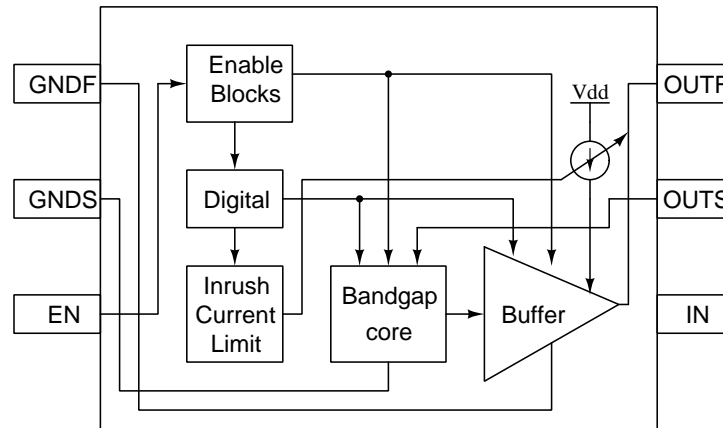
Figure 18. 0.1-Hz to 10-Hz Noise (V_{REF})

9 Detailed Description

9.1 Overview

The REF34xx-EP is family of low-noise, precision bandgap voltage references that are specifically designed for excellent initial voltage accuracy and drift. The [Functional Block Diagram](#) is a simplified block diagram of the REF34xx-EP showing basic band-gap topology.

9.2 Functional Block Diagram



9.3 Feature Description

9.3.1 Supply Voltage

The REF34xx-EP family of references features an extremely low dropout voltage. For loaded conditions, a typical dropout voltage versus load is shown on the front page. The REF34xx-EP features a low quiescent current that is extremely stable over changes in both temperature and supply. The typical room temperature quiescent current is 72 μA , and the maximum quiescent current over temperature is just 95 μA . Supply voltages below the specified levels can cause the REF34xx-EP to momentarily draw currents greater than the typical quiescent current. Use a power supply with a fast rising edge and low output impedance to easily prevent this issue.

9.3.2 Low Temperature Drift

The REF34xx-EP is designed for minimal drift error, which is defined as the change in output voltage over temperature. The drift is calculated using the box method, as described by [Equation 2](#):

$$\text{Drift} = \left(\frac{V_{\text{REF(MAX)}} - V_{\text{REF(MIN)}}}{V_{\text{REF}} \times \text{Temperature Range}} \right) \times 10^6 \quad (2)$$

9.3.3 Load Current

The REF34xx-EP family is specified to deliver a current load of ± 10 mA per output. The V_{REF} output of the device are protected from short circuits by limiting the output short-circuit current to 18 mA. The device temperature increases according to [Equation 3](#):

$$T_J = T_A + P_D \times R_{\theta JA}$$

where

- T_J = junction temperature ($^{\circ}\text{C}$),
 - T_A = ambient temperature ($^{\circ}\text{C}$),
 - P_D = power dissipated (W), and
 - $R_{\theta JA}$ = junction-to-ambient thermal resistance ($^{\circ}\text{C}/\text{W}$)
- (3)

The REF34xx-EP maximum junction temperature must not exceed the absolute maximum rating of 150°C .

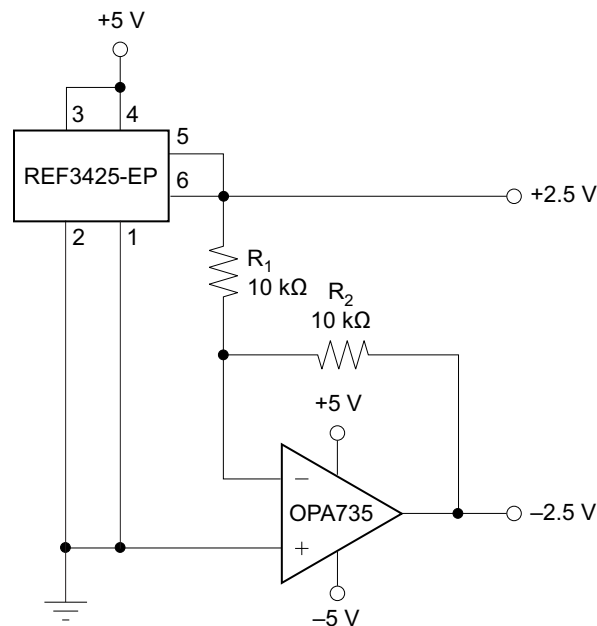
9.4 Device Functional Modes

9.4.1 EN Pin

When the EN pin of the REF34xx-EP is pulled high, the device is in active mode. The device must be in active mode for normal operation. The REF34xx-EP can be placed in a low-power mode by pulling the ENABLE pin low. When in shutdown mode, the output of the device becomes high impedance and the quiescent current of the device reduces to 2 μA in shutdown mode. The EN pin must not be pulled higher than V_{IN} supply voltage. See the [Thermal Information](#) for logic high and logic low voltage levels.

9.4.2 Negative Reference Voltage

For applications requiring a negative and positive reference voltage, the REF34xx-EP and OPA735 can be used to provide a dual-supply reference from a 5-V supply. [Figure 19](#) shows the REF3425-EP used to provide a 2.5-V supply reference voltage. The low drift performance of the REF34xx-EP complements the low offset voltage and zero drift of the OPA735 to provide an accurate solution for split-supply applications. Take care to match the temperature coefficients of R1 and R2.



Copyright © 2017, Texas Instruments Incorporated

Figure 19. REF3425-EP and OPA735 Create Positive and Negative Reference Voltages

10 Application and Implementation

NOTE

Information in the following applications sections is not part of the TI component specification, and TI does not warrant its accuracy or completeness. TI's customers are responsible for determining suitability of components for their purposes. Customers should validate and test their design implementation to confirm system functionality.

10.1 Application Information

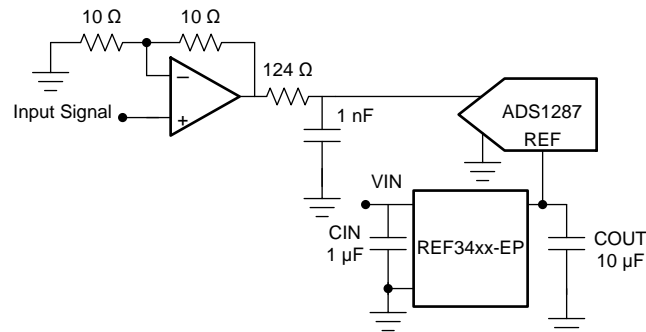
As this device has many applications and setups, there are many situations that this data sheet can not characterize in detail. Basic applications includes positive/negative voltage reference and data acquisition systems. The table below shows the typical application of REF34xx-EP and its companion ADC/DAC.

Table 1. Typical Applications and Companion ADC/DAC

Applications	ADC/DAC
PLC - DCS	DAC8881, ADS8332, ADS8568, ADS8317, ADS8588S, ADS1287
Display Test Equipment	ADS8332
Field Transmitters - Pressure	ADUCM360
Video Surveillance - Thermal Cameras	ADS7279
Medical Blood Glucose Meter	ADS1112

10.2 Typical Application: Basic Voltage Reference Connection

The circuit shown in [Figure 20](#) shows the basic configuration for the REF34xx-EP references. Connect bypass capacitors according to the guidelines in [Input and Output Capacitors](#) section.



Copyright © 2017, Texas Instruments Incorporated

Figure 20. Basic Reference Connection

10.2.1 Design Requirements

A detailed design procedure is described based on a design example. For this design example, use the parameters listed in [Table 2](#) as the input parameters.

Table 2. Design Example Parameters

DESIGN PARAMETER	VALUE
Input voltage V_{IN}	5 V
Output voltage V_{OUT}	2.5 V
REF34xx-EP input capacitor	1 μ F
REF34xx-EP output capacitor	10 μ F

10.2.2 Detailed Design Procedure

10.2.2.1 Input and Output Capacitors

A 1- μ F to 10- μ F electrolytic or ceramic capacitor can be connected to the input to improve transient response in applications where the supply voltage may fluctuate. Connect an additional 0.1- μ F ceramic capacitor in parallel to reduce high frequency supply noise.

A ceramic capacitor of at least a 0.1 μ F must be connected to the output to improve stability and help filter out high frequency noise. An additional 1- μ F to 10- μ F electrolytic or ceramic capacitor can be added in parallel to improve transient performance in response to sudden changes in load current; however, keep in mind that doing so increases the turnon time of the device.

Best performance and stability is attained with low-ESR, low-inductance ceramic chip-type output capacitors (X5R, X7R, or similar). If using an electrolytic capacitor on the output, place a 0.1- μ F ceramic capacitor in parallel to reduce overall ESR on the output.

10.2.2.2 4-Wire Kelvin Connections

Current flowing through a PCB trace produces an IR voltage drop, and with longer traces, this drop can reach several millivolts or more, introducing a considerable error into the output voltage of the reference. A 1-in long, 5-mm wide trace of 1-oz copper has a resistance of approximately 100 m Ω at room temperature; at a load current of 10 mA, this can introduce a full millivolt of error. In an ideal board layout, the reference must be mounted as close as possible to the load to minimize the length of the output traces, and, therefore, the error introduced by voltage drop. However, in applications where this is not possible or convenient, force and sense connections (sometimes referred to as Kelvin sensing connections) are provided as a means of minimizing the IR drop and improving accuracy.

Kelvin connections work by providing a set of high impedance voltage-sensing lines to the output and ground nodes. Because very little current flows through these connections, the IR drop across their traces is negligible, and the output and ground voltage information can be obtain with minimum IR drop error.

It is always advantageous to use Kelvin connections whenever possible. However, in applications where the IR drop is negligible or an extra set of traces cannot be routed to the load, the force and sense pins for both V_{OUT} and GND can simply be tied together, and the device can be used in the same fashion as a normal 3-terminal reference (as shown in [Figure 19](#)).

10.2.2.3 V_{IN} Slew Rate Considerations

In applications with slow-rising input voltage signals, the reference exhibits overshoot or other transient anomalies that appear on the output. These phenomena also appear during shutdown as the internal circuitry loses power.

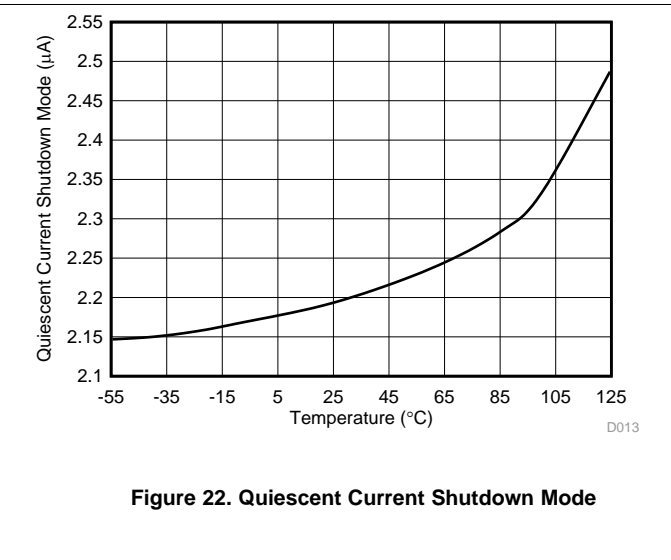
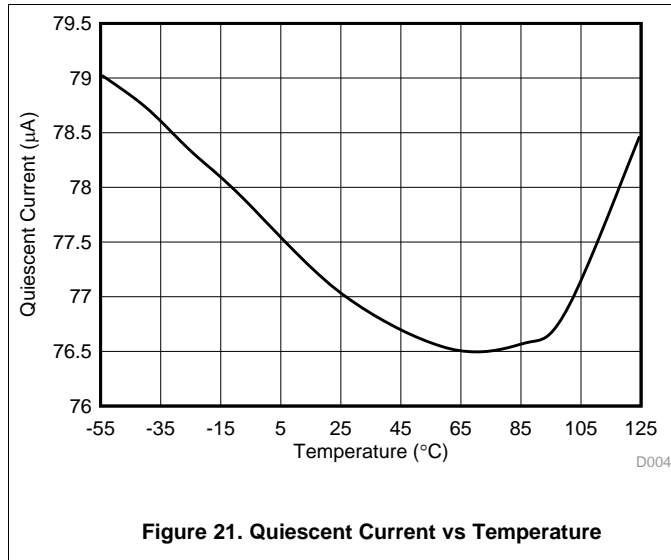
To avoid such conditions, ensure that the input voltage waveform has both a rising and falling slew rate close to 6 V/ms.

10.2.2.4 Shutdown/Enable Feature

The REF34xx-EP references can be switched to a low power shutdown mode when a voltage of 0.5 V or lower is input to the ENABLE pin. Likewise, the reference becomes operational for ENABLE voltages of 1.6 V or higher. During shutdown, the supply current drops to less than 2 μ A, useful in applications that are sensitive to power consumption.

If using the shutdown feature, ensure that the ENABLE pin voltage does not fall between 0.5 V and 1.6 V because this causes a large increase in the supply current of the device and may keep the reference from starting up correctly. If not using the shutdown feature, however, the ENABLE pin can simply be tied to the IN pin, and the reference remains operational continuously.

10.2.3 Application Curves



11 Power Supply Recommendations

The REF34xx-EP family of references feature an extremely low-dropout voltage. These references can be operated with a supply of only 50 mV above the output voltage. TI recommends a supply bypass capacitor ranging between 0.1 µF to 10 µF.

12 Layout

12.1 Layout Guidelines

Figure 23 illustrates an example of a PCB layout for a data acquisition system using the REF34xx-EP. Some key considerations are:

- Connect low-ESR, 0.1- μ F ceramic bypass capacitors at V_{IN} , V_{REF} of the REF34xx-EP.
- Decouple other active devices in the system per the device specifications.
- Using a solid ground plane helps distribute heat and reduces electromagnetic interference (EMI) noise pickup.
- Place the external components as close to the device as possible. This configuration prevents parasitic errors (such as the Seebeck effect) from occurring.
- Do not run sensitive analog traces in parallel with digital traces. Avoid crossing digital and analog traces if possible, and only make perpendicular crossings when absolutely necessary.

12.2 Layout Example

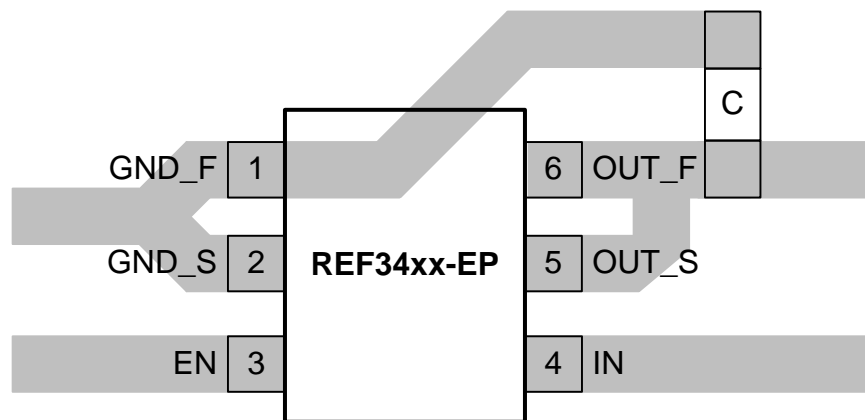


Figure 23. Layout Example

13 Device and Documentation Support

13.1 Documentation Support

13.1.1 Related Documentation

For related documentation see the following:

- [INA21x Voltage Output, Low- or High-Side Measurement, Bidirectional, Zero-Drift Series, Current-Shunt Monitors](#), SBOS437
- [Low-Drift Bidirectional Single-Supply Low-Side Current Sensing Reference Design](#), TIDU357

13.2 Related Links

The table below lists quick access links. Categories include technical documents, support and community resources, tools and software, and quick access to order now.

Table 3. Related Links

PARTS	PRODUCT FOLDER	ORDER NOW	TECHNICAL DOCUMENTS	TOOLS & SOFTWARE	SUPPORT & COMMUNITY
REF3425-EP	Click here	Click here	Click here	Click here	Click here
REF3430-EP	Click here	Click here	Click here	Click here	Click here
REF3433-EP	Click here	Click here	Click here	Click here	Click here
REF3440-EP	Click here	Click here	Click here	Click here	Click here

13.3 Receiving Notification of Documentation Updates

To receive notification of documentation updates, navigate to the device product folder on ti.com. In the upper right corner, click on *Alert me* to register and receive a weekly digest of any product information that has changed. For change details, review the revision history included in any revised document.

13.4 Community Resources

The following links connect to TI community resources. Linked contents are provided "AS IS" by the respective contributors. They do not constitute TI specifications and do not necessarily reflect TI's views; see TI's [Terms of Use](#).

TI E2E™ Online Community *TI's Engineer-to-Engineer (E2E) Community*. Created to foster collaboration among engineers. At e2e.ti.com, you can ask questions, share knowledge, explore ideas and help solve problems with fellow engineers.

Design Support *TI's Design Support* Quickly find helpful E2E forums along with design support tools and contact information for technical support.

13.5 Trademarks

E2E is a trademark of Texas Instruments.

All other trademarks are the property of their respective owners.

13.6 Electrostatic Discharge Caution



This integrated circuit can be damaged by ESD. Texas Instruments recommends that all integrated circuits be handled with appropriate precautions. Failure to observe proper handling and installation procedures can cause damage.

ESD damage can range from subtle performance degradation to complete device failure. Precision integrated circuits may be more susceptible to damage because very small parametric changes could cause the device not to meet its published specifications.

13.7 Glossary

[SLYZ022](#) — *TI Glossary*.

This glossary lists and explains terms, acronyms, and definitions.

14 Mechanical, Packaging, and Orderable Information

The following pages include mechanical, packaging, and orderable information. This information is the most current data available for the designated devices. This data is subject to change without notice and revision of this document. For browser-based versions of this data sheet, refer to the left-hand navigation.

PACKAGING INFORMATION

Orderable Device	Status (1)	Package Type	Package Drawing	Pins	Package Qty	Eco Plan (2)	Lead finish/ Ball material (6)	MSL Peak Temp (3)	Op Temp (°C)	Device Marking (4/5)	Samples
REF3425MDBVTEP	ACTIVE	SOT-23	DBV	6	250	RoHS & Green	NIPDAUAG	Level-2-260C-1 YEAR	-55 to 125	1RWC	Samples
REF3430MDBVTEP	ACTIVE	SOT-23	DBV	6	250	RoHS & Green	NIPDAUAG	Level-2-260C-1 YEAR	-55 to 125	1SVC	Samples
REF3433MDBVTEP	ACTIVE	SOT-23	DBV	6	250	RoHS & Green	NIPDAUAG	Level-2-260C-1 YEAR	-55 to 125	1SWC	Samples
REF3440MDBVTEP	ACTIVE	SOT-23	DBV	6	250	RoHS & Green	NIPDAUAG	Level-2-260C-1 YEAR	-55 to 125	1SXC	Samples
V62/18622-01XE	ACTIVE	SOT-23	DBV	6	250	RoHS & Green	NIPDAUAG	Level-2-260C-1 YEAR	-55 to 125	1RWC	Samples
V62/18622-02XE	ACTIVE	SOT-23	DBV	6	250	RoHS & Green	NIPDAUAG	Level-2-260C-1 YEAR	-55 to 125	1SXC	Samples
V62/18622-03XE	ACTIVE	SOT-23	DBV	6	250	RoHS & Green	NIPDAUAG	Level-2-260C-1 YEAR	-55 to 125	1SVC	Samples
V62/18622-04XE	ACTIVE	SOT-23	DBV	6	250	RoHS & Green	NIPDAUAG	Level-2-260C-1 YEAR	-55 to 125	1SWC	Samples

(1) The marketing status values are defined as follows:

ACTIVE: Product device recommended for new designs.

LIFEBUY: TI has announced that the device will be discontinued, and a lifetime-buy period is in effect.

NRND: Not recommended for new designs. Device is in production to support existing customers, but TI does not recommend using this part in a new design.

PREVIEW: Device has been announced but is not in production. Samples may or may not be available.

OBSELETE: TI has discontinued the production of the device.

(2) **RoHS:** TI defines "RoHS" to mean semiconductor products that are compliant with the current EU RoHS requirements for all 10 RoHS substances, including the requirement that RoHS substance do not exceed 0.1% by weight in homogeneous materials. Where designed to be soldered at high temperatures, "RoHS" products are suitable for use in specified lead-free processes. TI may reference these types of products as "Pb-Free".

RoHS Exempt: TI defines "RoHS Exempt" to mean products that contain lead but are compliant with EU RoHS pursuant to a specific EU RoHS exemption.

Green: TI defines "Green" to mean the content of Chlorine (Cl) and Bromine (Br) based flame retardants meet JS709B low halogen requirements of <=1000ppm threshold. Antimony trioxide based flame retardants must also meet the <=1000ppm threshold requirement.

(3) MSL, Peak Temp. - The Moisture Sensitivity Level rating according to the JEDEC industry standard classifications, and peak solder temperature.

(4) There may be additional marking, which relates to the logo, the lot trace code information, or the environmental category on the device.

(5) Multiple Device Markings will be inside parentheses. Only one Device Marking contained in parentheses and separated by a "~" will appear on a device. If a line is indented then it is a continuation of the previous line and the two combined represent the entire Device Marking for that device.

⁽⁶⁾ Lead finish/Ball material - Orderable Devices may have multiple material finish options. Finish options are separated by a vertical ruled line. Lead finish/Ball material values may wrap to two lines if the finish value exceeds the maximum column width.

Important Information and Disclaimer:The information provided on this page represents TI's knowledge and belief as of the date that it is provided. TI bases its knowledge and belief on information provided by third parties, and makes no representation or warranty as to the accuracy of such information. Efforts are underway to better integrate information from third parties. TI has taken and continues to take reasonable steps to provide representative and accurate information but may not have conducted destructive testing or chemical analysis on incoming materials and chemicals. TI and TI suppliers consider certain information to be proprietary, and thus CAS numbers and other limited information may not be available for release.

In no event shall TI's liability arising out of such information exceed the total purchase price of the TI part(s) at issue in this document sold by TI to Customer on an annual basis.

OTHER QUALIFIED VERSIONS OF REF3425-EP, REF3430-EP, REF3433-EP, REF3440-EP :

- Catalog: [REF3425](#), [REF3430](#), [REF3433](#), [REF3440](#)

NOTE: Qualified Version Definitions:

- Catalog - TI's standard catalog product

TAPE AND REEL INFORMATION



QUADRANT ASSIGNMENTS FOR PIN 1 ORIENTATION IN TAPE



*All dimensions are nominal

Device	Package Type	Package Drawing	Pins	SPQ	Reel Diameter (mm)	Reel Width W1 (mm)	A0 (mm)	B0 (mm)	K0 (mm)	P1 (mm)	W (mm)	Pin1 Quadrant
REF3425MDBVTEP	SOT-23	DBV	6	250	180.0	8.4	3.23	3.17	1.37	4.0	8.0	Q3
REF3430MDBVTEP	SOT-23	DBV	6	250	180.0	8.4	3.23	3.17	1.37	4.0	8.0	Q3
REF3433MDBVTEP	SOT-23	DBV	6	250	180.0	8.4	3.23	3.17	1.37	4.0	8.0	Q3
REF3440MDBVTEP	SOT-23	DBV	6	250	180.0	8.4	3.23	3.17	1.37	4.0	8.0	Q3

TAPE AND REEL BOX DIMENSIONS


*All dimensions are nominal

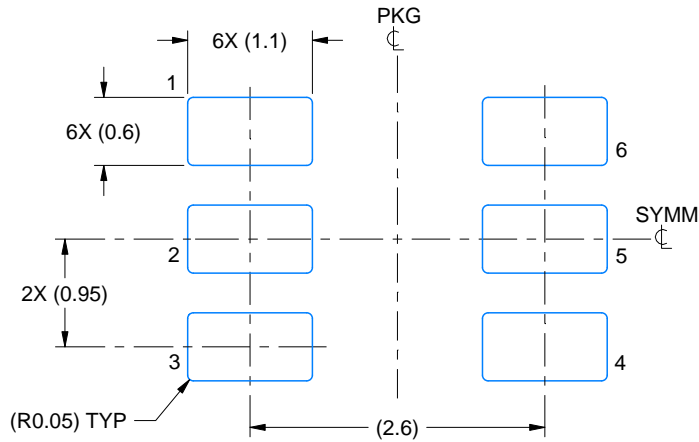
Device	Package Type	Package Drawing	Pins	SPQ	Length (mm)	Width (mm)	Height (mm)
REF3425MDBVTEP	SOT-23	DBV	6	250	213.0	191.0	35.0
REF3430MDBVTEP	SOT-23	DBV	6	250	213.0	191.0	35.0
REF3433MDBVTEP	SOT-23	DBV	6	250	213.0	191.0	35.0
REF3440MDBVTEP	SOT-23	DBV	6	250	213.0	191.0	35.0

EXAMPLE BOARD LAYOUT

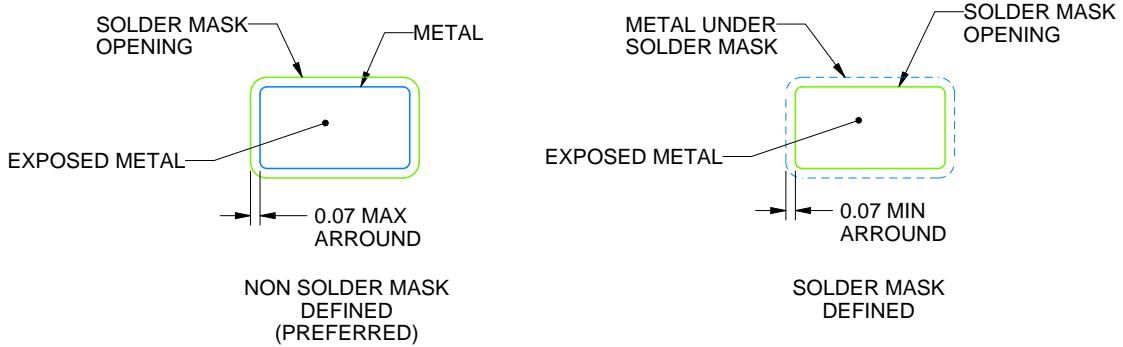
DBV0006A

SOT-23 - 1.45 mm max height

SMALL OUTLINE TRANSISTOR



LAND PATTERN EXAMPLE
EXPOSED METAL SHOWN
SCALE:15X



SOLDER MASK DETAILS

4214840/E 02/2024

NOTES: (continued)

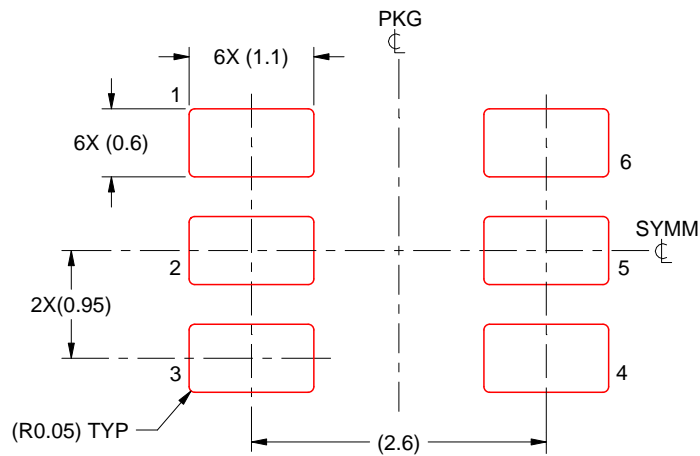
- 6. Publication IPC-7351 may have alternate designs.
- 7. Solder mask tolerances between and around signal pads can vary based on board fabrication site.

EXAMPLE STENCIL DESIGN

DBV0006A

SOT-23 - 1.45 mm max height

SMALL OUTLINE TRANSISTOR



SOLDER PASTE EXAMPLE
BASED ON 0.125 mm THICK STENCIL
SCALE:15X

4214840/E 02/2024

NOTES: (continued)

8. Laser cutting apertures with trapezoidal walls and rounded corners may offer better paste release. IPC-7525 may have alternate design recommendations.
9. Board assembly site may have different recommendations for stencil design.

IMPORTANT NOTICE AND DISCLAIMER

TI PROVIDES TECHNICAL AND RELIABILITY DATA (INCLUDING DATA SHEETS), DESIGN RESOURCES (INCLUDING REFERENCE DESIGNS), APPLICATION OR OTHER DESIGN ADVICE, WEB TOOLS, SAFETY INFORMATION, AND OTHER RESOURCES "AS IS" AND WITH ALL FAULTS, AND DISCLAIMS ALL WARRANTIES, EXPRESS AND IMPLIED, INCLUDING WITHOUT LIMITATION ANY IMPLIED WARRANTIES OF MERCHANTABILITY, FITNESS FOR A PARTICULAR PURPOSE OR NON-INFRINGEMENT OF THIRD PARTY INTELLECTUAL PROPERTY RIGHTS.

These resources are intended for skilled developers designing with TI products. You are solely responsible for (1) selecting the appropriate TI products for your application, (2) designing, validating and testing your application, and (3) ensuring your application meets applicable standards, and any other safety, security, regulatory or other requirements.

These resources are subject to change without notice. TI grants you permission to use these resources only for development of an application that uses the TI products described in the resource. Other reproduction and display of these resources is prohibited. No license is granted to any other TI intellectual property right or to any third party intellectual property right. TI disclaims responsibility for, and you will fully indemnify TI and its representatives against, any claims, damages, costs, losses, and liabilities arising out of your use of these resources.

TI's products are provided subject to [TI's Terms of Sale](#) or other applicable terms available either on [ti.com](https://www.ti.com) or provided in conjunction with such TI products. TI's provision of these resources does not expand or otherwise alter TI's applicable warranties or warranty disclaimers for TI products.

TI objects to and rejects any additional or different terms you may have proposed.

Mailing Address: Texas Instruments, Post Office Box 655303, Dallas, Texas 75265
Copyright © 2024, Texas Instruments Incorporated