



Preliminary

64Mb PPI MRAM M-die

Parallel Peripheral Interface MRAM

3.3V/1.8V

- **S3R6416V1M**
- **S3R6416R1M**

Datasheet

NETSOL RESERVES THE RIGHT TO CHANGE PRODUCTS, INFORMATION AND SPECIFICATIONS WITHOUT NOTICE.

Products and specifications discussed herein are for reference purposes only.
All information discussed herein is provided on an "AS IS" basis, without warranties of any kind.

This document and all information discussed herein remain the sole and exclusive property of NETSOL.
No license of any patent, copyright, mask work, trademark or any other intellectual property right is granted by one party to the other party under this document, by implication, estoppel or otherwise.

For updates or additional information about Netsol products, please contact to netsol@netsol.co.kr

Feature

- Interface
 - Parallel Asynchronous and Page Mode Interface
- Page Mode Read Access
 - Interpage read access : 70ns
 - Intrapage read access : 15ns
- Page Mode Write Access
 - Interpage write access : 240ns
 - Intrapage write access : 15ns
- Page Size
 - x16 I/O Mode : 8-word page size
- Low Power Consumption
 - Read current(3.3V) : 27mA
 - Write current(3.3V) : 32mA
 - Read current(1.8V) : 20mA
 - Write current(1.8V) : 29mA
 - Standby current(3.3V) : 1.4mA
 - Standby current(1.8V) : 1.1mA
- Memory cell : STT-MRAM
 - nonvolatile
- Density
 - 64Mb
- Data Integrity : No external ECC required
- Data Endurance
 - Unlimited read cycle
 - 10^{14} write cycles
- Data Retention
 - 10 years at 85°C
- Single Power Supply Operation
 - S3R6416V1M: 2.70V~3.60V
 - S3R6416R1M: 1.71V~1.98V
- Operating Temperature Range
 - Industrial Temperature : -40°C to 85°C
- RoHS compliant packages
 - 48FBGA (6 mm x 8 mm)

Performance

Operation	Symbol	Typical Values		Units
		1.8V (S3R6416R1M)	3.3V (S3R6416V1M)	
Interpage Read Cycle Time	t _{RC}	70(Min.)		ns
Intrapage Read Cycle Time	t _{PRC}	15(Min.)		ns
Interpage Write Cycle Time	t _{WC}	240(Min.)		ns
Intrapage Write Cycle Time	t _{PWC}	15(Min.)		ns
Standby Current	I _{SB}	1.1	1.4	mA
Interpage Read Current	I _{CCR}	20	27	mA
Intrapage Read Current	I _{CCRP}	20	27	mA
Interpage Write Current	I _{CCW}	29	32	mA
Intrapage Write Current	I _{CCWP}	29	32	mA

Table of Contents

Feature	2
Performance	2
Table of Contents	3
General Description	5
Pin Description – 3.3V Device	6
Figure 1 : Functional Block Diagram – 3.3V Device	6
Table 1 : Pin Description – 3.3V Device	6
Pin Description – 1.8V Device	7
Figure 2 : Functional Block Diagram – 1.8V Device	7
Table 2 : Pin Description – 1.8V Device	7
Package Pin Configuration – 3.3V Device	8
Package Pin Configuration – 1.8V Device	8
Functional Description	9
Functional Description – x16 I/O Mode	9
Table 3 : Functional Description - x16 I/O mode	9
Address Pin	9
Table 4 : Address Pin	9
Electrical Specifications	10
Absolute Maximum Ratings	10
Table 5 : Absolute Maximum Ratings	10
Endurance, Retention and Magnetic Immunity	10
Table 6 : Endurance, Retention and Magnetic Immunity	10
Recommended Operating Conditions	10
Table 7 : Recommended Operating Conditions	10
Pin Capacitance	11
Table 8 : Pin Capacitance	11
AC Test Condition	11
Table 9 : AC Test Conditions	11
DC Characteristics	12
Table 10 : DC Characteristics : 3.3V Device	12
Table 11 : DC Characteristics : 1.8V Device	12
AC Timing Parameters	13
Table 12 : Read AC Timing Parameter	13
Table 13 : Write AC Timing Parameter	14
Power On/Off Sequence : 3.3V Device	15
Figure 3 : Power-Up/Down Behavior	15
Table 14 : Power-Up/Down Timing	15
Power On/Off Sequence : 1.8V Device	16
Figure 4 : Power-Up/Down Behavior	16
Table 15 : Power-Up/Down Timing	16
Device Operation	17
Read Operation : Interpage	17
Figure 5 : Timing Waveform of Read Cycle : x16 I/O mode	17
Page Mode Read Operation : Intrapage	18
Figure 6 : Timing Waveform of Page Mode Read Cycle : x16 I/O mode	18
Address Access Read Operation	19
Figure 7 : Timing Waveform of Address Access Read Cycle : x16 I/O mode	19
Write Operation (WE control) : Interpage	20
Figure 8 : Timing Waveform of Write Cycle (WE control) : x16 I/O mode	20
Write Operation (CS control) : Interpage	21

Preliminary

Figure 9 : Timing Waveform of Write Cycle (CS control) : x16 I/O mode	21
Page Mode Write Operation : Intrapage	22
Figure 10 : Timing Waveform of Page Mode Write Cycle : x16 I/O Mode	22
Thermal Resistance	23
Table 16 : Thermal Resistance	23
Part Numbering System	24
Ordering Part Numbers	25
Table 18 : Ordering Part Numbers	25
Package Dimension	26
48 FBGA	26
Revision History	27

General Description

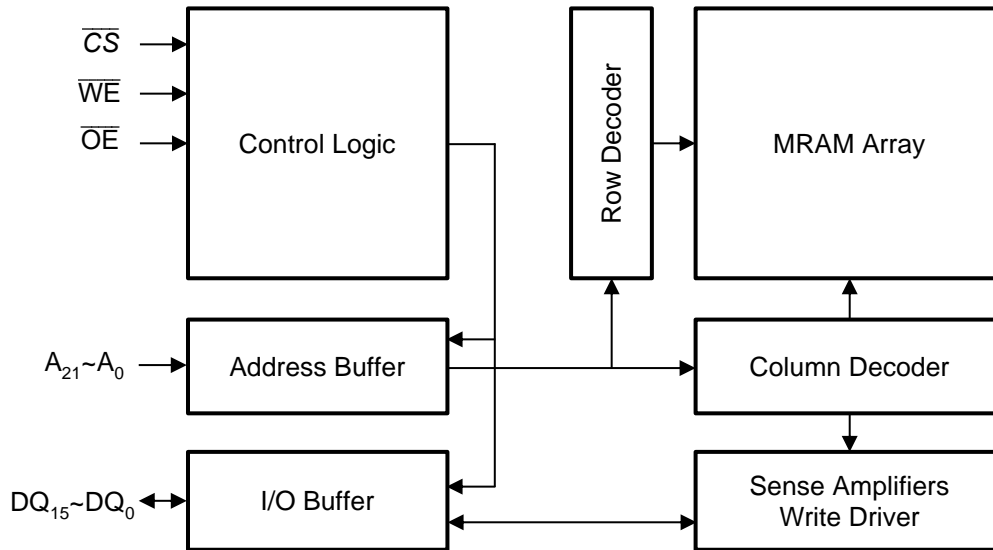
The device is a Spin-Transfer-Torque Magneto-resistive Random Access Memory (STT-MRAM). Data is always non-volatile and the device can replace FRAM, low-power SRAM or nvSRAM with same functionality and help to simplify system design. Due to the non-volatility and virtually unlimited endurance characteristics of STT-MRAM, it is suited for code storage, data logging, backup memory and working memory in industrial designs.

It is a fully random-access memory with parallel asynchronous interface. It supports the asynchronous page mode function to enhance the read and write performance. The page size is 8 words.

The S3R6416(V/R)1M is packaged in industrial standard 48FBGA. These package is compatible with similar low-power volatile and non-volatile products.

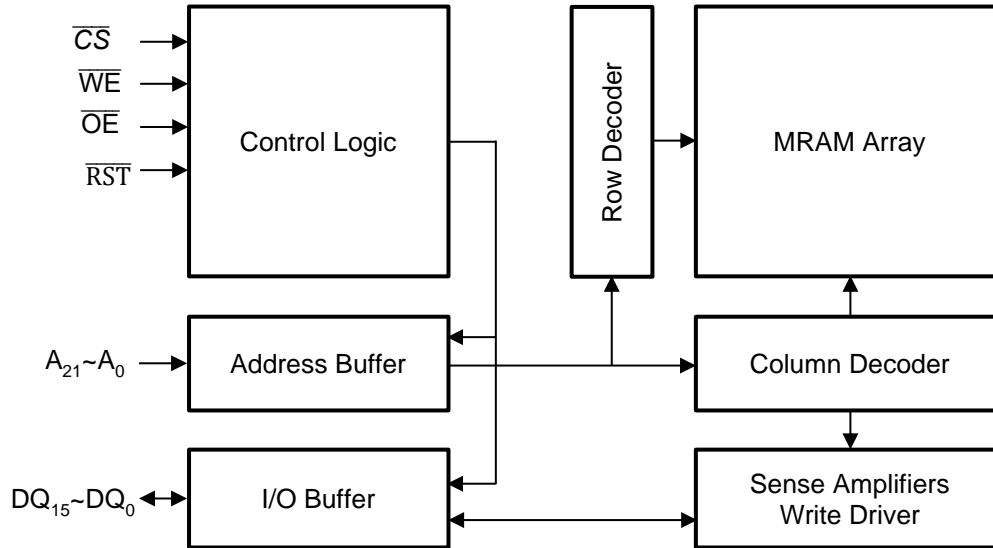
The device is offered with industrial (-40°C to 85°C) operating temperature range.

Pin Description – 3.3V Device

Figure 1 : Functional Block Diagram – 3.3V Device

Table 1 : Pin Description – 3.3V Device

Pin	Type	Description
\overline{CS}	Input	Chip Select: When \overline{CS} is driven Low, read or write operation are initiated. When \overline{CS} is driven High, the device enters standby mode, and all other input pins are ignored and the output pins are tri-stated. \overline{CS} should be High at power-up to prevent abnormal write operation. This pin does not have internal pullup resistor.
\overline{WE}	Input	Write Enable: When \overline{CS} and \overline{WE} are driven Low, write operation is initiated. The rising edge of \overline{CS} causes the device to transfer the data to memory array. The rising edge of \overline{WE} latches the input data. And, the falling edge of \overline{WE} latches a new page address for write cycles.
\overline{OE}	Input	Output Enable
$A_{21}\sim A_0$	Input	Address The LSB address $A_2\sim A_0$ are used for page mode read and write operation.
$DQ_{15}\sim DQ_0$	Bidirectional	Data Input/Outputs
Vcc	Supply	Power pin
Vss	Supply	Ground pin
NC	-	Not Connected
DNU	-	Do Not Use : DNU's must be left unconnected.

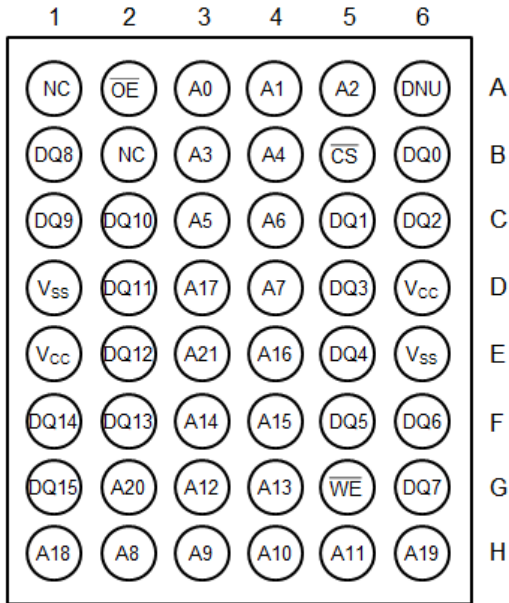
Pin Description – 1.8V Device

Figure 2 : Functional Block Diagram – 1.8V Device

Table 2 : Pin Description – 1.8V Device

Pin	Type	Description
\overline{CS}	Input	Chip Select: When \overline{CS} is driven Low, read or write operation are initiated. When \overline{CS} is driven High, the device enters standby mode, and all other input pins are ignored and the output pins are tri-stated. \overline{CS} should be High at power-up to prevent abnormal write operation. This pin does not have internal pullup resistor.
\overline{WE}	Input	Write Enable: When \overline{CS} and \overline{WE} are driven Low, write operation is initiated. The rising edge of \overline{CS} causes the device to transfer the data to memory array. The rising edge of \overline{WE} latches the input data. And, the falling edge of \overline{WE} latches a new page address for write cycles.
\overline{OE}	Input	Output Enable
$A_{21} \sim A_0$	Input	Address The LSB address $A_2 \sim A_0$ are used for page mode read and write operation.
$DQ_{15} \sim DQ_0$	Bidirectional	Data Input/Outputs
\overline{RST}	Input	Reset \overline{RST} pin is a hardware RESET signal. When \overline{RST} is driven High, the device is in the normal operation mode. When \overline{RST} is driven Low, the device enters in the initialization mode. This pin has an internal pullup resistor.
Vcc	Supply	Power pin
Vss	Supply	Ground pin
NC	-	Not Connected
DNU	-	Do Not Use : DNUs must be left unconnected.

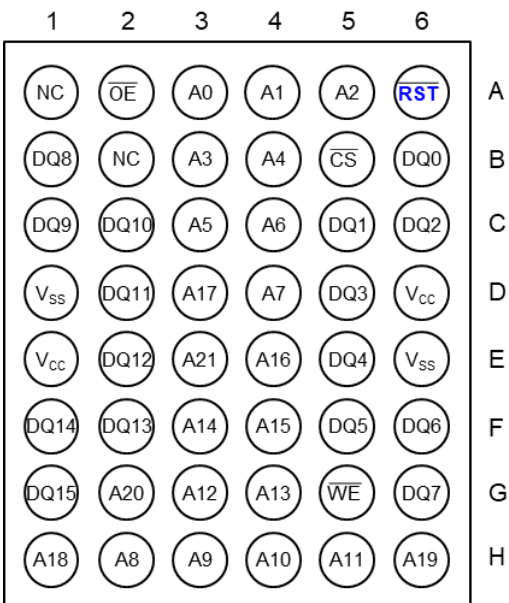
Package Pin Configuration – 3.3V Device

48 Ball FBGA (x16)



Package Pin Configuration – 1.8V Device

48 Ball FBGA (x16)



Functional Description

Functional Description – x16 I/O Mode

Table 3 : Functional Description - x16 I/O mode

\overline{CS}	\overline{WE}	\overline{OE}	$DQ_{15} \sim DQ_0$	Modes	Supply Current
H	X	X	High-Z	Not Selected	I_{SB}
L	H	H	High-Z	Output disable	I_{CCR}
L	H	L	Dout	Word Read	I_{CCR}
L	L	X	Din	Word Write	I_{CCW}

Address Pin

Table 4 : Address Pin

Density	Address Pin	Page Address Pin
64Mb	$A_{21} \sim A_0$	$A_2 \sim A_0$

Electrical Specifications

Absolute Maximum Ratings

Stresses greater than those listed may cause permanent damage to the device. This is a stress rating only. Exposure to maximum rating for extended periods may adversely affect reliability.

Table 5 : Absolute Maximum Ratings

Parameter	Min.	Max.	Units
Voltage on Vcc Supply Relative to VSS: 3.3V Device	-0.5	3.8	V
Voltage on Any Pin relative to VSS : 3.3V Device	-0.5	3.8	V
Voltage on Vcc Supply Relative to VSS: 1.8V Device	-0.5	2.35	V
Voltage on Any Pin relative to VSS : 1.8V Device	-0.5	2.35	V
Storage Temperature	-55	150	°C
Operating Ambient Temperature	-40	85	°C
ESD HBM (Human Body Model)	≥ 2000 V		V
ESD CDM (Charged Device Model)	≥ 500 V		V
Solder Reflow Process	JEDEC J-STD-020 reflow profiles - Peak temperature ≤ 260°C - The time above 255°C ≤ 30 seconds - Reflow cycles ≤ 3 times		

Endurance, Retention and Magnetic Immunity

Table 6 : Endurance, Retention and Magnetic Immunity

Parameter	Conditions	Min.	Max.	Units
Write Endurance	-25°C	10 ¹⁴	-	Cycles/page
Data Retention	85°C	10	-	years
Magnetic Field During Write or Read	-	-	24,000	A/m

Recommended Operating Conditions

Table 7 : Recommended Operating Conditions

Parameter / Condition	Min.	Typ.	Max.	Units
Operating Temperature	-40	25	85	°C
Vcc Supply Voltage : 3.3V Device	2.7	3.3	3.6	V
Vcc Supply Voltage : 1.8V Device	1.71	1.8	1.98	V
Vss Supply Voltage	0.0	0.0	0.0	V

Preliminary

Pin Capacitance

Table 8 : Pin Capacitance

Parameter	Conditions	Typ.	Max.	Units
Input Pin Capacitance	TEMP = 25°C; f = 1 MHz; $V_{IN} = 0V$	-	8	pF
Input/Output Pin Capacitance	TEMP = 25°C; f = 1 MHz; $V_{IO} = 0V$	-	10	pF

* Capacitance is sampled and not 100% tested

AC Test Condition

Table 9 : AC Test Conditions

Parameter	Value
Input pulse levels	0.0V to V_{cc}
Input rise and fall times	1ns/1V
Input and output measurement timing levels	$V_{cc}/2$
Output Load	CL = 30pF

DC Characteristics
Table 10 : DC Characteristics : 3.3V Device

Parameters	Symbol	Test Conditions	Min	Typ	Max	Unit	
Input Leakage Current	I_{LI}	$V_{IN} = V_{SS} \text{ to } V_{CC}$	-2	-	+2	uA	
Output Leakage Current	I_{LO}	$\overline{CS}=V_{IH} \text{ or } \overline{OE}=V_{IH} \text{ or } \overline{WE}=V_{IL}$ $V_{OUT} = V_{SS} \text{ to } V_{CC}$	-2	-	+2	uA	
Read Current	Random	I_{CCR}	$V_{CC} \text{ (max), } I_{OUT}=0\text{mA}$	-	27	34	mA
	Page mode	I_{CCRP}	$V_{CC} \text{ (max), } I_{OUT}=0\text{mA}$	-	27	34	mA
Write Current	Random	I_{CCW}	$V_{CC} \text{ (max)}$	-	32	40	mA
	Page mode	I_{CCWP}	$V_{CC} \text{ (max)}$	-	32	40	mA
Standby Current	I_{SB}	$V_{CC} \text{ (max), } \overline{CS} \geq V_{CC}-0.2\text{V}$	-	1.4	1.9	mA	
Input High Voltage	V_{IH}	-	$0.7 \times V_{CC}$	-	$V_{CC}+0.3$	V	
Input Low Voltage	V_{IL}	-	-0.3	-	$0.2 \times V_{CC}$	V	
Output High Voltage	V_{OH}	$I_{OH}=-1\text{mA}$	2.4	-	-	V	
Output Low Voltage	V_{OL}	$I_{OL}=2\text{mA}$	-	-	0.4	V	

Table 11 : DC Characteristics : 1.8V Device

Parameters	Symbol	Test Conditions	Min	Typ	Max	Unit	
Input Leakage Current	I_{LI}	$V_{IN} = V_{SS} \text{ to } V_{CC}$	-2	-	+2	uA	
Output Leakage Current	I_{LO}	$\overline{CS}=V_{IH} \text{ or } \overline{OE}=V_{IH} \text{ or } \overline{WE}=V_{IL}$ $V_{OUT} = V_{SS} \text{ to } V_{CC}$	-2	-	+2	uA	
Read Current	Random	I_{CCR}	$V_{CC} \text{ (max), } I_{OUT}=0\text{mA}$	-	20	26	mA
	Page mode	I_{CCRP}	$V_{CC} \text{ (max), } I_{OUT}=0\text{mA}$	-	20	26	mA
Write Current	Random	I_{CCW}	$V_{CC} \text{ (max)}$	-	29	38	mA
	Page mode	I_{CCWP}	$V_{CC} \text{ (max)}$	-	29	38	mA
Standby Current	I_{SB}	$V_{CC} \text{ (max), } \overline{CS} \geq V_{CC}-0.2\text{V}$	-	1.1	1.7	mA	
Input High Voltage	V_{IH}	-	$0.7 \times V_{CC}$	-	$V_{CC}+0.3$	V	
Input Low Voltage	V_{IL}	-	-0.3	-	$0.3 \times V_{CC}$	V	
Output High Voltage	V_{OH}	$I_{OH}=-1\text{mA}$	1.4	-	-	V	
Output Low Voltage	V_{OL}	$I_{OL}=2\text{mA}$	-	-	0.4	V	

AC Timing Parameters

Table 12 : Read AC Timing Parameter

Parameter	Symbol	Min.	Max.	Units
Read Cycle Time (Interpage)	t _{RC}	70	-	ns
Page Read Cycle Time (Intrapage)	t _{PRC}	15	-	ns
$\overline{\text{CS}}$ Read Active Time	t _{RCA}	65	-	ns
$\overline{\text{CS}}$ Falling to Valid Output Time	t _{CO}	-	65	ns
Address Access Time ²⁾	t _{AA}	-	80	ns
Page Address Access Time	t _{PAA}	-	15	ns
$\overline{\text{CS}}$ Rising to Output Hold Time	t _{COH}	3	-	ns
Address change to Output Hold Time ²⁾	t _{OH}	30	-	ns
Page address change to Output Hold Time	t _{POH}	5	-	ns
$\overline{\text{OE}}$ Falling to Valid Output Time	t _{OE}	-	15	ns
$\overline{\text{CS}}$ Rising to High-Z Output Time	t _{CHZ}	-	8	ns
$\overline{\text{OE}}$ Rising to High-Z Output Time	t _{OHZ}	-	8	ns
Address Transition to $\overline{\text{CS}}$ falling Time ²⁾	t _{CAS}	0	-	ns
$\overline{\text{CS}}$ Rising to Address Transition Time ²⁾	t _{CAH}	0	-	ns
$\overline{\text{WE}}$ Rising to $\overline{\text{CS}}$ Falling Time	t _{WES}	0	-	ns
$\overline{\text{CS}}$ Rising to $\overline{\text{WE}}$ Falling Time	t _{WEH}	0	-	ns
$\overline{\text{CS}}$ High Time for Read End	t _{CSDR}	5	-	ns
Address Transition Interval Time	t _{AX}	-	5	ns

Notes:

1. Those parameters are applied for x16 I/O mode only.
2. Address except for page address

AC Timing Parameters

Table 13 : Write AC Timing Parameter

Parameters	Symbol	Min	Max	Unit
Write Cycle Time (Interpage)	t _{WC}	240	-	ns
$\overline{\text{CS}}$ Write Active Time ³⁾	t _{WCA}	20	-	ns
$\overline{\text{CS}}$ Falling to End of Write Time	t _{CW}	20	-	ns
Page Write Cycle Time (Intrapage)	t _{PWC}	15	-	ns
$\overline{\text{WE}}$ Falling to End of Write (invalid output does not appear)	t _{WP}	10	-	ns
$\overline{\text{WE}}$ Falling to End of Write (invalid output appears)	t _{WP1}	20	-	ns
$\overline{\text{WE}}$ Falling to Output High-Z Time	t _{WHZ}	-	8	ns
Valid Input Data to End of Write Time	t _{DS}	8	-	ns
End of Write to Valid Input Data Time	t _{DH}	0	-	ns
Address Transition Time to $\overline{\text{CS}}$ falling ²⁾	t _{CAS}	0	-	ns
$\overline{\text{CS}}$ Rising to Address Transition Time ²⁾	t _{CAH}	0	-	ns
Page Address Transition to $\overline{\text{WE}}$ falling Time	t _{PAS}	0	-	ns
$\overline{\text{WE}}$ falling to Page Address Transition Time	t _{PAH}	10	-	ns
$\overline{\text{WE}}$ High Time for Page Write	t _{PWH}	3	-	ns
$\overline{\text{CS}}$ High Time for Write End ³⁾	t _{CSDW}	180	-	ns

Notes:

1. Those parameters are applied for x16 I/O mode only.
2. Address except for page address
3. t_{WCA} + t_{CSDW} ≥ t_{WC}

Power On/Off Sequence : 3.3V Device

- When power-up, power-down or power-loss, \overline{CS} must follow V_{cc} to provide data protection.
- It is recommended that \overline{CS} must follow V_{cc} when V_{cc} is below $V_{cc}(\text{minimum})$ and during t_{PU} .
- A 10K Ω pull-up resistor between V_{cc} and \overline{CS} pin is recommended.
- Normal operation must start after t_{PU} .

Figure 3 : Power-Up/Down Behavior

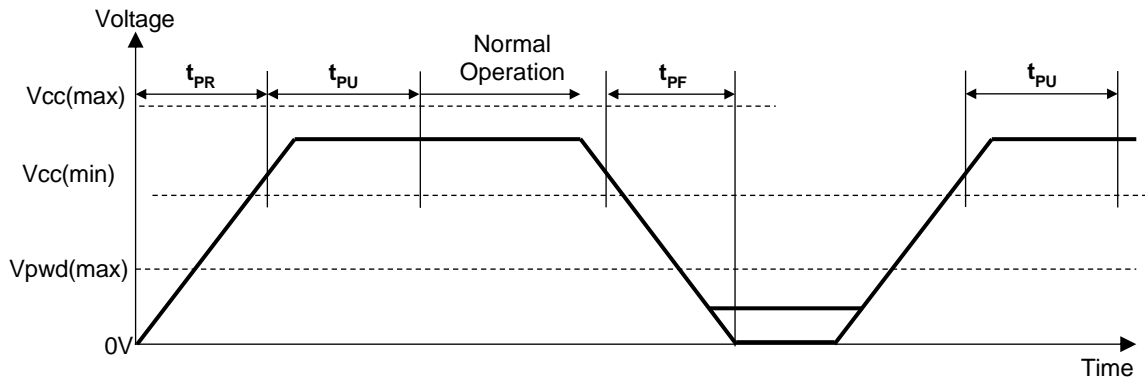


Table 14 : Power-Up/Down Timing

Parameter	Symbol	Min	Max	Units
Vcc Range	V_{cc}	2.7	3.6	V
Vcc rising time	$t_{PR}^{(1)}$	30	-	$\mu\text{s/V}$
Vcc falling time	$t_{PF}^{(1)}$	30	-	$\mu\text{s/V}$
$V_{cc}(\text{min})$ to \overline{CS} Low (first instruction) time	$t_{PU}^{(1)}$	2.0	-	ms
Vcc needed to below V_{pwd} for ensuring initialization will occur	$V_{PVD}^{(1)}$	-	1.6	V

Notes:

1: These parameters are guaranteed by characterization; not tested in production.

Power On/Off Sequence : 1.8V Device

- When power-up, power-down or power-loss, \overline{CS} must follow V_{cc} to provide data protection.
- It is recommended that \overline{CS} must follow V_{cc} when V_{cc} is below $V_{cc}(\text{minimum})$ and during t_{PU} .
- A 10K Ω pull-up resistor between V_{cc} and \overline{CS} pin is recommended.
- Reset operation is required after t_{PU} .
- Normal operation must start after t_{RST} .

Figure 4 : Power-Up/Down Behavior

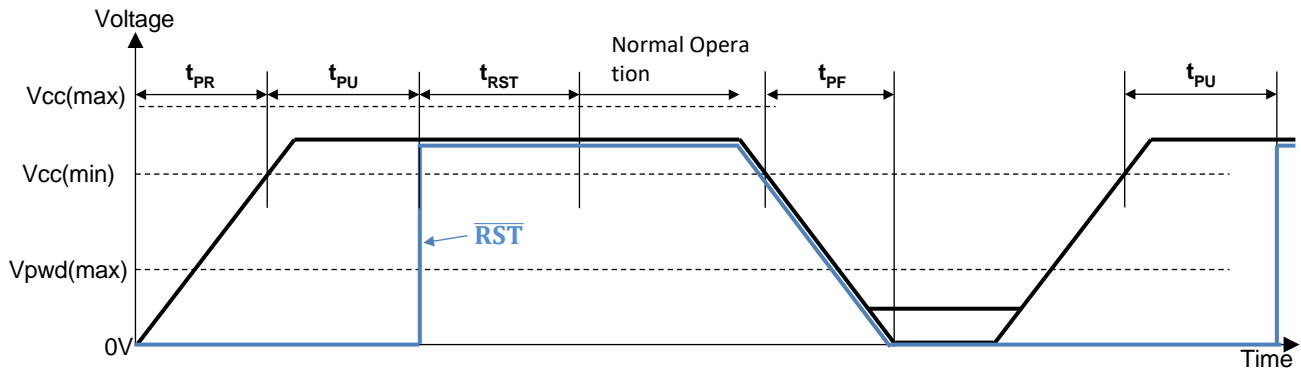


Table 15 : Power-Up/Down Timing

Parameter	Symbol	Min	Max	Units
Vcc Range	V_{CC}	1.71	1.98	V
Vcc rising time	$t_{PR}^{(1)}$	30	-	$\mu\text{s/V}$
Vcc falling time	$t_{PF}^{(1)}$	30	-	$\mu\text{s/V}$
Vcc(min) to \overline{RST} Low time	$t_{PU}^{(1)}$	1.0	-	ms
\overline{RST} High to \overline{CS} Low (first instruction) time	$t_{RST}^{(1)}$	2.0	-	ms
Vcc needed to below V_{pwd} for ensuring initialization will occur	$V_{PWD}^{(1)}$	-	0.8	V
Reset Time	$t_{RST}^{(1)}$	2.0	-	ms

Notes:

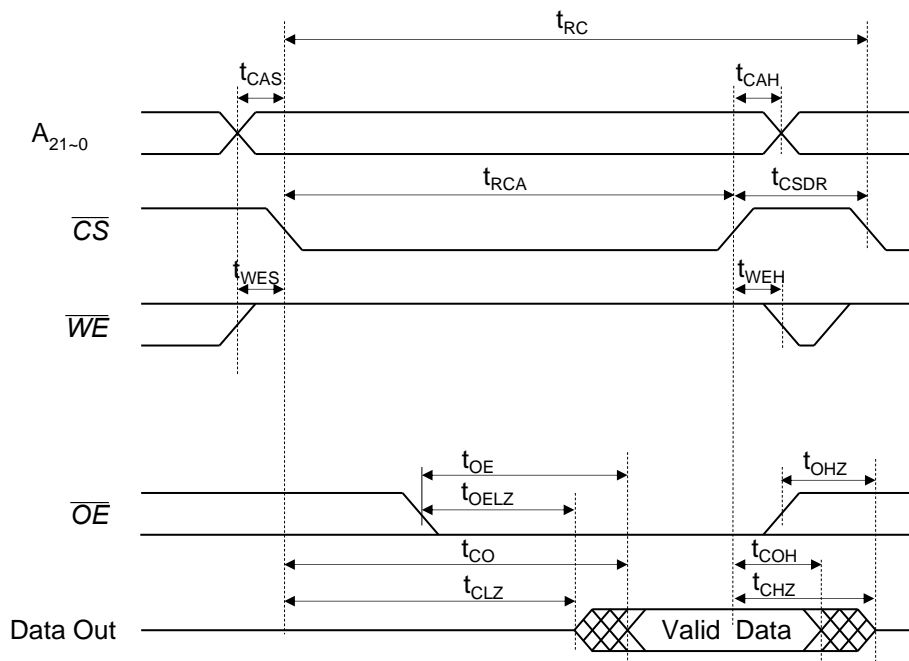
1: These parameters are guaranteed by characterization; not tested in production.

Device Operation

Read Operation : Interpage

Read operation is initiated when \overline{CS} goes to low and \overline{WE} is high. The falling edge of \overline{CS} latches the address and starts to read data from memory array. The output data are available after t_{CO} . The minimum random read cycle time is t_{RC} . The data remains in High-Z until the valid data is output.

Figure 5 : Timing Waveform of Read Cycle : x16 I/O mode



Page Mode Read Operation : Intrapage

The device supports the page mode read function to enhance the read performance. It reads a page data from memory array and latches the data into an internal page buffer.

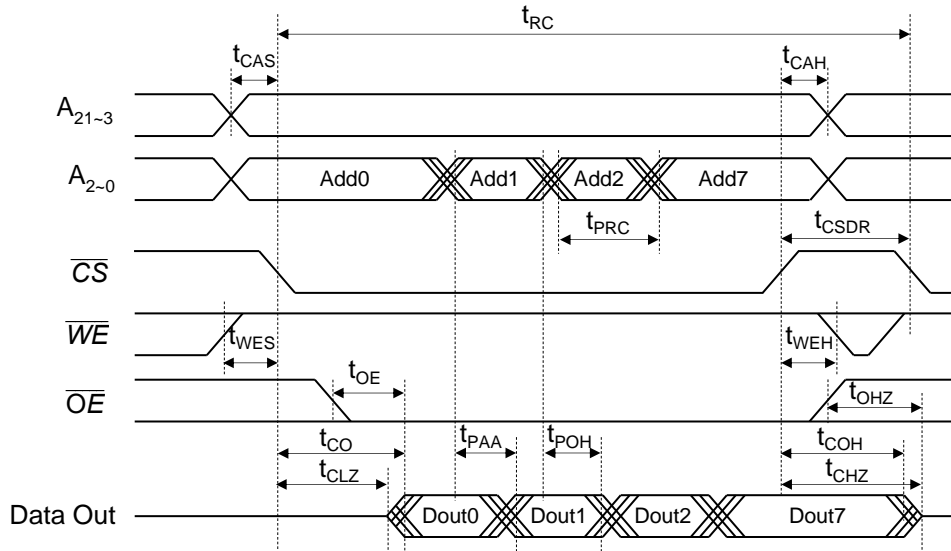
The first data is output after t_{CO} . When the next page address is input, subsequent data is output from the page buffer after t_{PAA} .

The sequence and length of page address are not restricted.

For example, the sequence A2-A0-A1 is available.

Parameter	x16 I/O mode
Page Address	A ₂ ~A ₀
Page size	8-word (16-bytes)

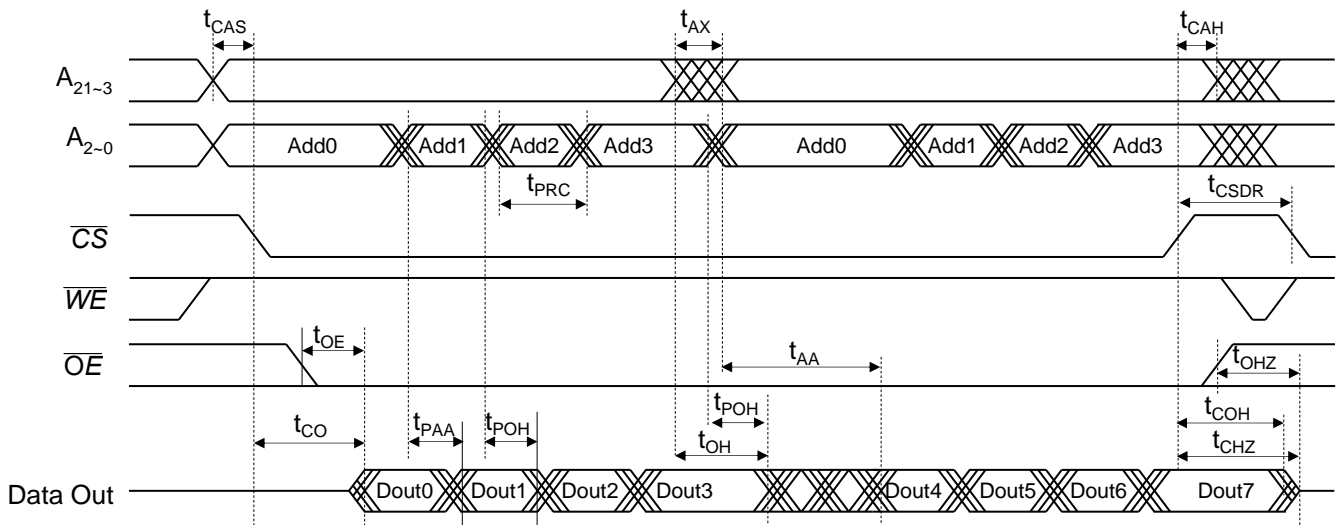
Figure 6 : Timing Waveform of Page Mode Read Cycle : x16 I/O mode



Address Access Read Operation

During \overline{CS} is low and \overline{WE} is high, if a random address (except for the page address) are changed, the device reads a page data from memory array of a new address and latches the data into an internal page buffer. The first data is output after t_{AA} . When the next page address is input, subsequent data is output from the page buffer after t_{PAA} . The random address transition time should not exceed t_{AX} .

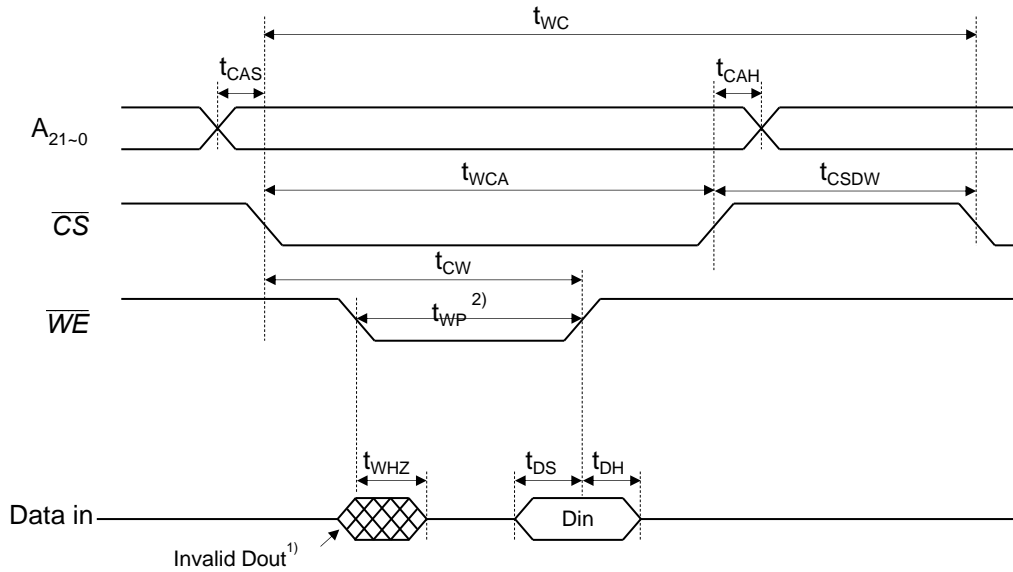
Figure 7 : Timing Waveform of Address Access Read Cycle : x16 I/O mode



Write Operation (\overline{WE} control) : Interpage

Write operation is initiated when \overline{WE} goes to low and \overline{CS} is low. The device latches address on the falling edge of \overline{CS} . It latches the data on the rising edge of \overline{WE} . The rising edge of \overline{CS} causes the device to transfer the input data to memory array.

Figure 8 : Timing Waveform of Write Cycle (\overline{WE} control) : x16 I/O mode



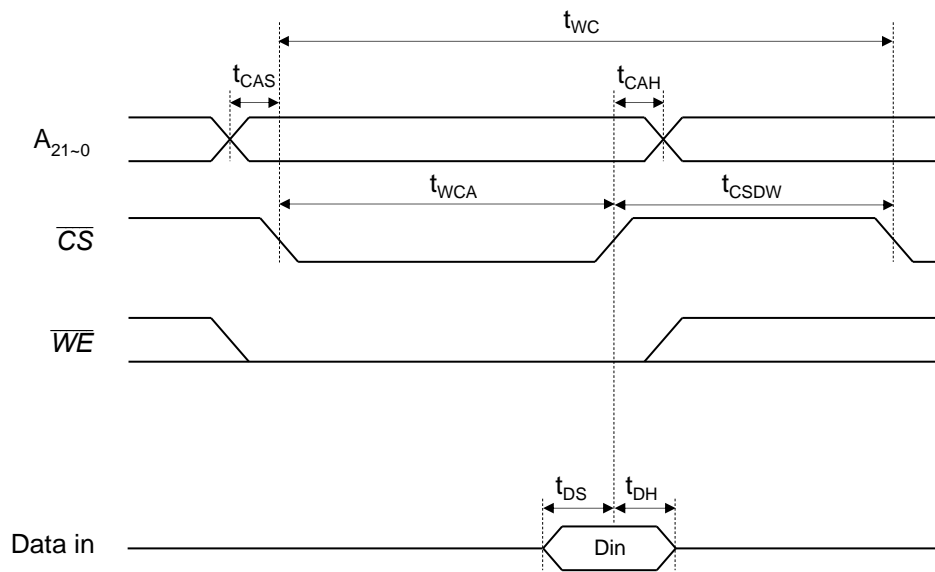
Notes :

1. The data pins remain in High-Z state if the time of \overline{CS} falling to \overline{WE} falling is smaller than 30ns or \overline{OE} is High.
2. In case that the data pins do not remains in High-Z state, t_{WP} should be t_{WP1}
3. $t_{WCA} + t_{CSDW} \geq t_{WC}$

Write Operation (\overline{CS} control) : Interpage

Write operation is initiated when \overline{CS} goes to low and \overline{WE} is low. The device latches address on the falling edge of \overline{CS} . It latches the data on the rising edge of \overline{CS} . The rising edge of \overline{CS} causes the device to transfer the input data to memory array.

Figure 9 : Timing Waveform of Write Cycle (\overline{CS} control) : x16 I/O mode



Page Mode Write Operation : Intrapage

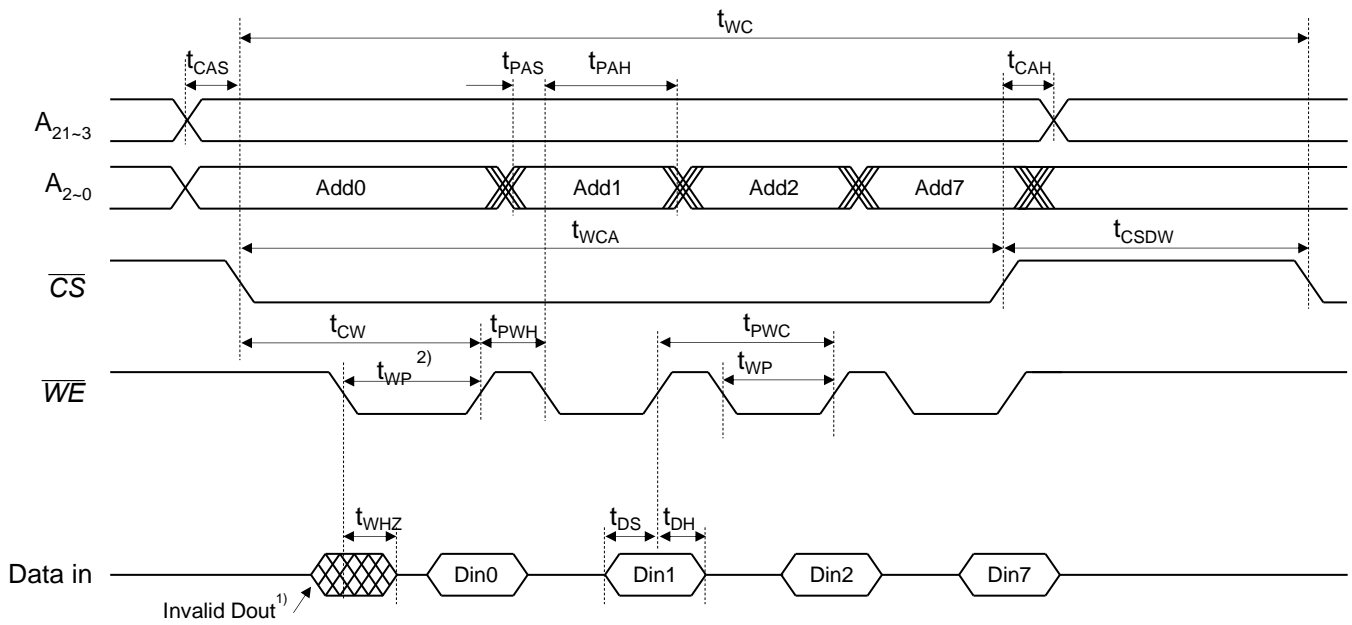
The device supports the page mode write function to enhance the write performance. It latches a page address every falling edge of \overline{WE} .

It latches the data on every rising edge of \overline{WE} . The rising edge of \overline{CS} causes the device to transfer the input data to memory array.

The sequence and length of page address are not restricted. For example, the sequence A2-A0-A1 is available.

Parameter	x16 I/O mode
Page Address	A ₂ ~A ₀
Page size	8-word (16-bytes)

Figure 10 : Timing Waveform of Page Mode Write Cycle : x16 I/O Mode



Thermal Resistance

Table 16 : Thermal Resistance

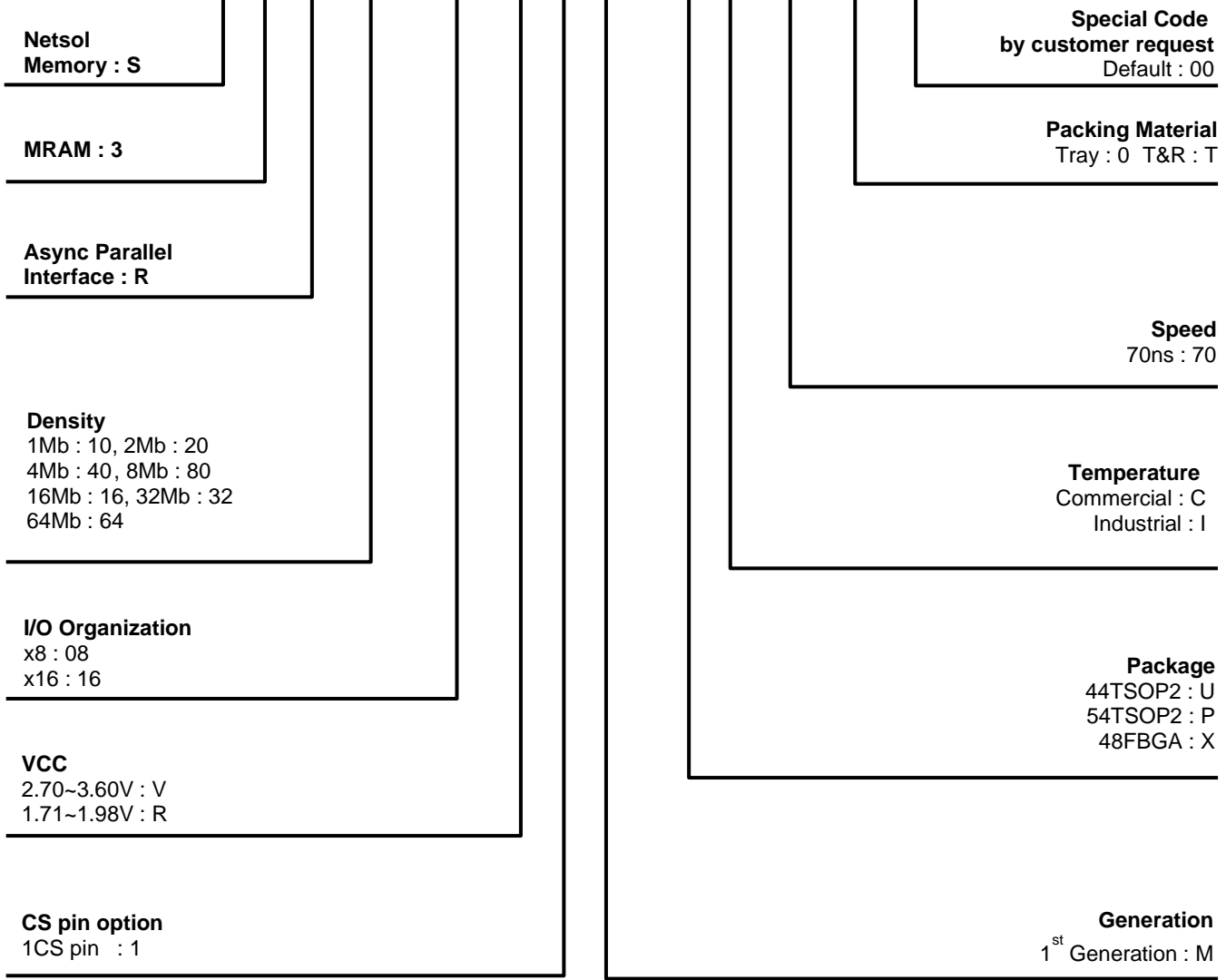
Parameter	Description	48FBGA	Unit
θ_{JA}	Thermal resistance (junction to ambient)	60.2	°C/W
θ_{JC}	Thermal resistance (junction to case)	28.3	

Notes:

1: These parameters are guaranteed by characterization; not tested in production

Part Numbering System

S	3	R	X	X	X	X	X	X	X	X	-	X	X	X	X	X	X
1	2	3	4	5	6	7	8	9	10	11	12	13	14	15	16	17	18



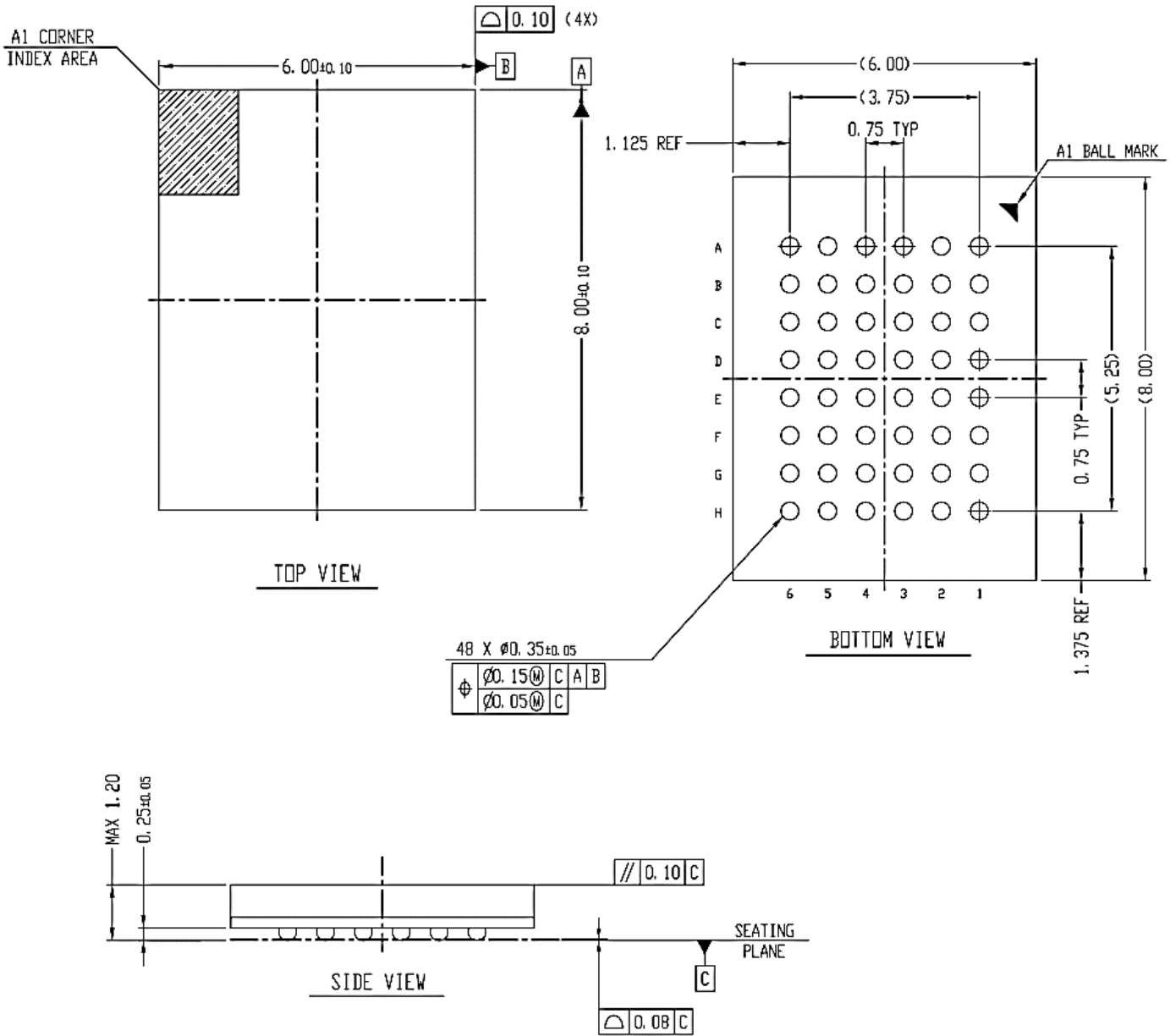
Ordering Part Numbers

Table 18 : Ordering Part Numbers

Density	Voltage	Temperature	Package	Packing Material	Part Number
64Mb	3.3V	-40°C ~ 85°C	48FBGA	Tray	S3R6416V1M-XI70
				Tape and Reel	S3R6416V1M-XI70T
	1.8V	-40°C ~ 85°C	48FBGA	Tray	S3R6416R1M-XI70
				Tape and Reel	S3R6416R1M-XI70T

Package Dimension

48 FBGA



[Notes]

1. All Dimensions in Millimeters
2. Solder ball Diameter is post reflow diameter
(Raw Solder ball size is Ø0.30mm)

Preliminary

Revision History

Revision	Date	Description
0.0	Jun, 2023	Initial Release, Preliminary
0.1	Jul, 2023	Update DC characteristics (Table 10,11)
0.2	Mar. 2024	Change Write Cycle Time (Table 13) - t _{wc} 320ns → 240ns, t _{csdw} 250ns → 180ns