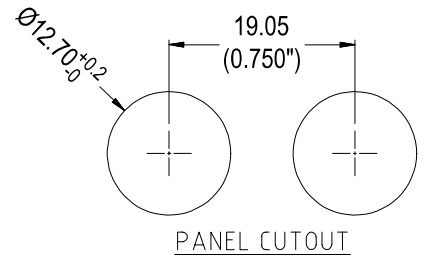
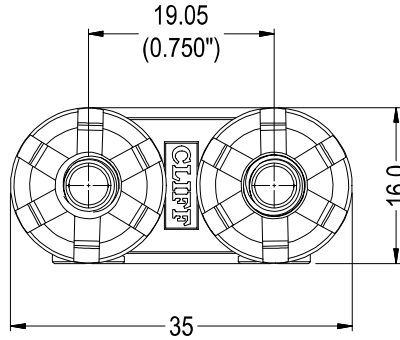
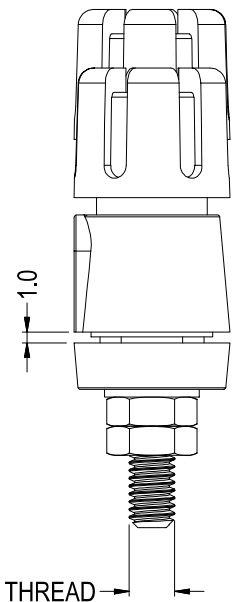
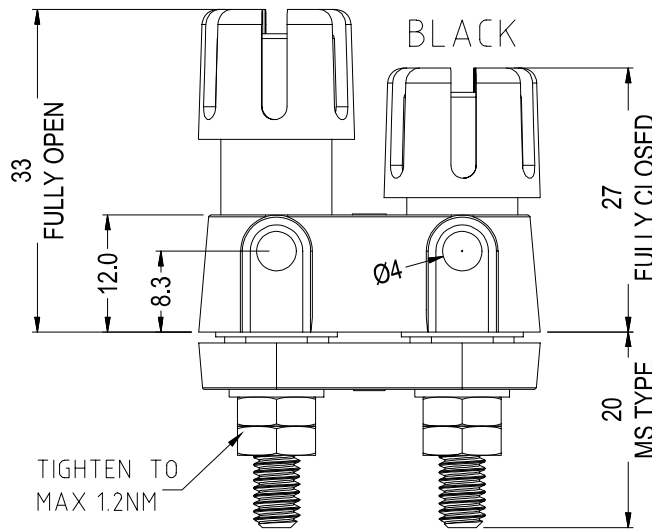
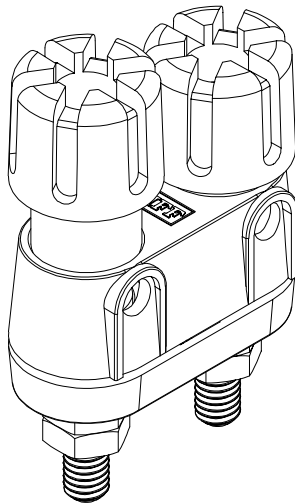




DUAL TOUCHPROOF TERMINAL TPP4



RED



Part No. **CL159705** - TPP4 Terminal. Supplied assembled

Specification

- Maximum Current: 30A.
- Contact Resistance: <math><30\text{m}\Omega</math>
- Temperature Rating: -20°C to +80°C
- Max wire size: 6mm²
- Material: Glass filled nylon / PP / Nickel plated.