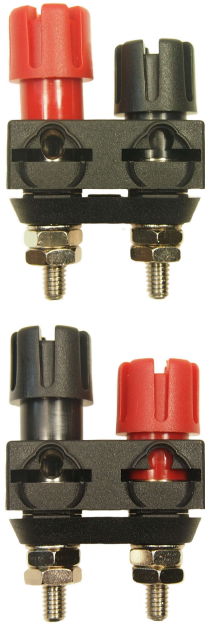
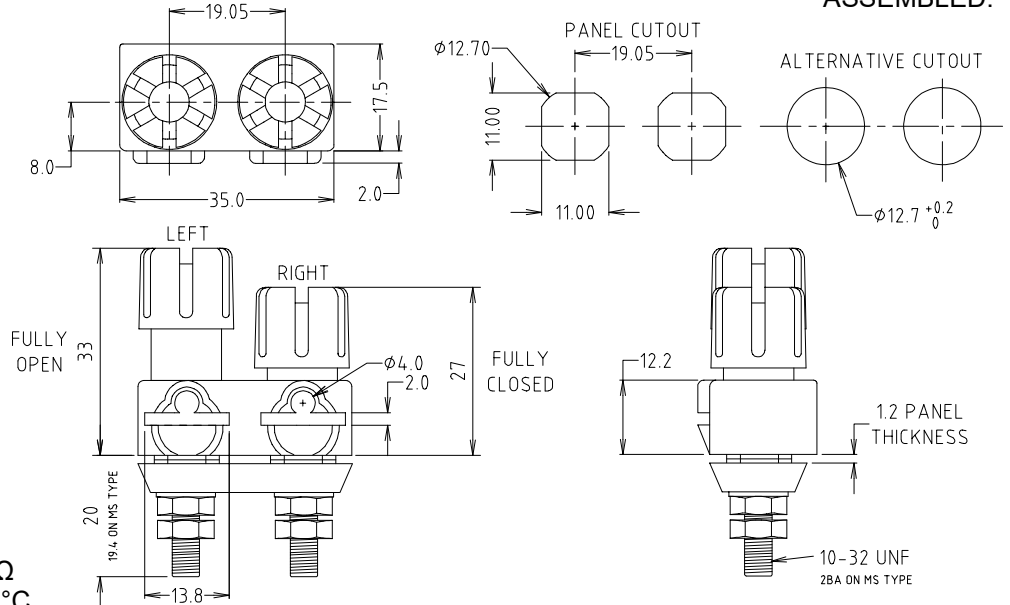


CLIFF

TPP5 DUAL TERMINALS



- CL159706X1** - TERMINAL ASSY TPP5 RED / BLACK. UNASSEMBLED
- CL159706X1A** - TERMINAL ASSY TPP5 RED / BLACK. ASSEMBLED
- CL159706X5** - TERMINAL ASSY TPP5 BLACK / RED. UNASSEMBLED
- CL159706X5A** - TERMINAL ASSY TPP5 BLACK / RED. ASSEMBLED
- CL159706YA** - TERMINAL ASSY TPP5MSG RED / BLACK. GOLD PLATED. ASSEMBLED.



Specifications

Maximum Current: 30A,
 Contact Resistance: Nickel <30mΩ
 Temperature Rating: -20°C to +80°C.
 Flammability: Minimum UL 94HB.

- CL159706PA** - TERMINAL ASSY TPP5/PC RED / BLACK. UNASSEMBLED.
- CL159706PAA** - TERMINAL ASSY TPP5/PC RED / BLACK. ASSEMBLED.
- CL159706PB** - TERMINAL ASSY TPP5/PC BLACK / RED. UNASSEMBLED.
- CL159706PBA** - TERMINAL ASSY TPP5/PC BLACK / RED. ASSEMBLED

