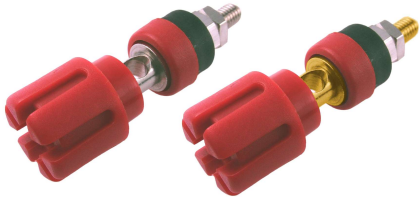


# CLIFF

## TERMINAL TP6



- CL159709** - TP6S BLACK ASSEMBLED
- CL159710** - TP6S BLACK UNASSEMBLED
- CL159711A** - TP6S BLACK GOLD ASSEMBLED



- CL159719** - TP6S RED ASSEMBLED
- CL159720** - TP6S RED UNASSEMBLED
- CL159721A** - TP6S RED GOLD ASSEMBLED



- CL159730** - TP6S BLUE ASSEMBLED
- CL159729** - TP6S BLUE UNASSEMBLED

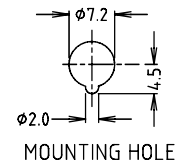
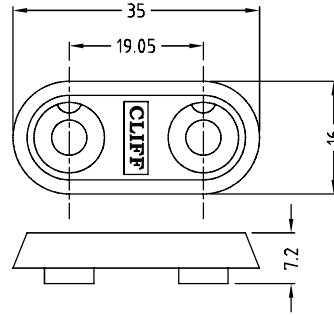
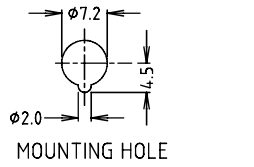
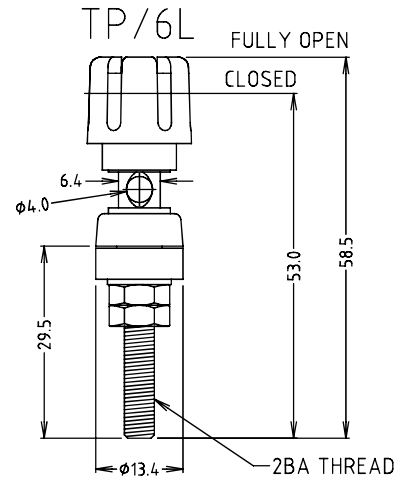
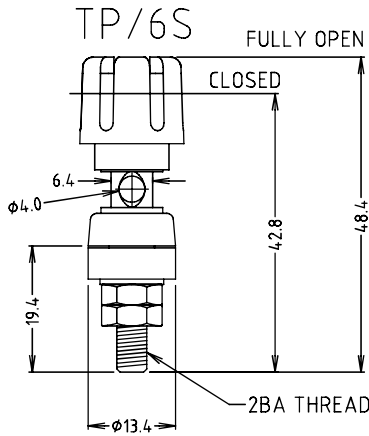


- CL159740** - TP6S GREEN ASSEMBLED
- CL159741** - TP6S GREEN UNASSEMBLED



- CL159775** - TP6S YELLOW ASSEMBLED
- CL159774** - TP6S YELLOW UNASSEMBLED

Current Rating: 30A.  
 Flammability: Min UL94HB  
 Unassembled parts come with top and bottom insulators,  
 nuts and washers bulk packed.



- CL1595** - TPP1 TERMINAL MOUNTING PLATE



- CL159715** - TP6L BLACK UNASSEMBLED
- CL159715A** - TP6L BLACK ASSEMBLED
- CL159716A** - TP6L BLACK GOLD ASSEMBLED



- CL159725** - TP6L RED UNASSEMBLED
- CL159725A** - TP6L RED ASSEMBLED
- CL159726A** - TP6L RED GOLD ASSEMBLED