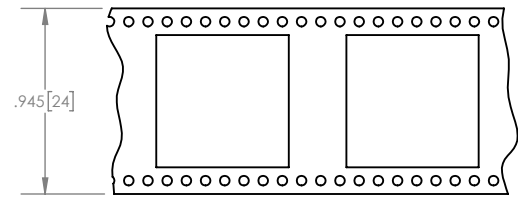
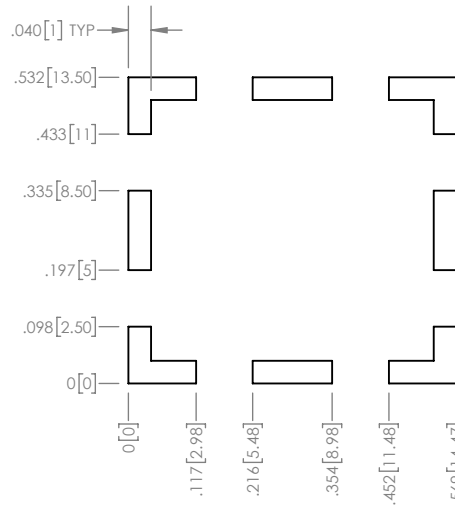
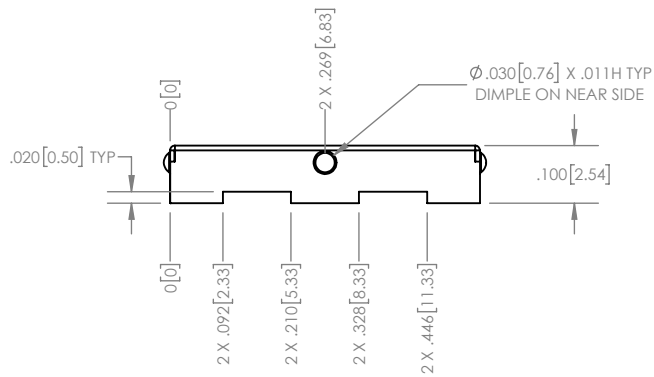
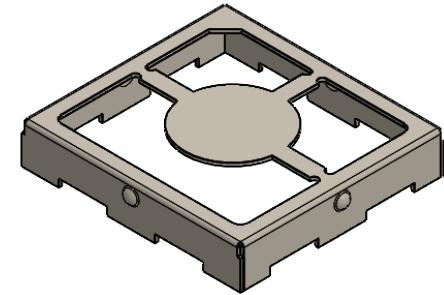
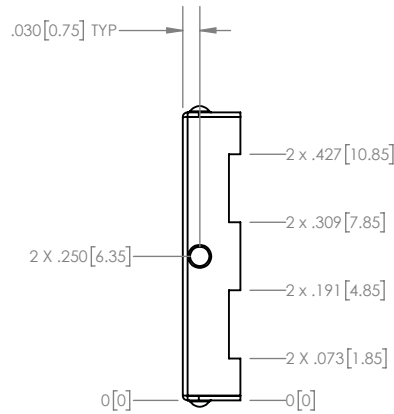
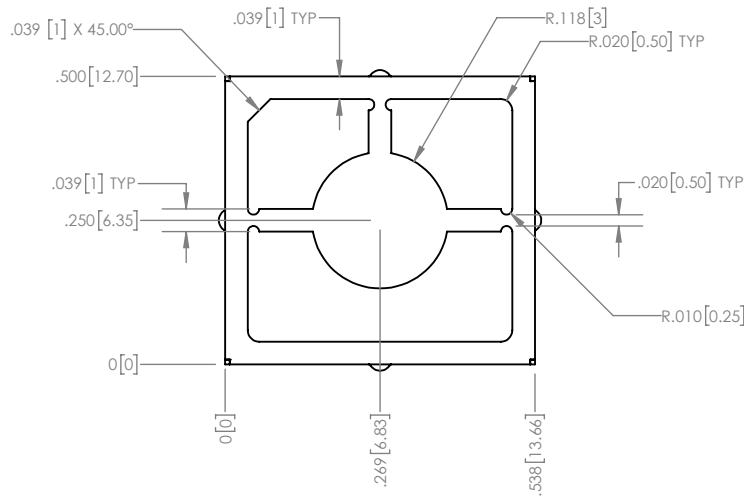


NOTES:

1. MATERIAL: 0.008" NICKEL SILVER
2. PARTS PER REEL: 1200



TAPE AND REEL

PCB FOOTPRINT

NC#

QE 25610

PROPRIETARY NOTICE: THESE DRAWINGS, LISTS OR SPECIFICATIONS ARE THE CONFIDENTIAL INFORMATION AND/OR TRADE SECRETS OF 3G SHIELDING SPECIALTIES IP, AND ISSUED IN STRICT CONFIDENCE. EXCEPT AS AUTHORIZED BY 3G SHIELDING SPECIALTIES IN WRITING, THESE DRAWINGS, LISTS OR SPECIFICATIONS SHALL NOT BE REPRODUCED, RETRANSMITTED, USED FOR THE DESIGN, MANUFACTURE OR SALE OF EQUIPMENT OR USED FOR ANY OTHER PURPOSE OTHER THAN EVALUATION.

UNLESS OTHERWISE SPECIFIED
U/M INCHES TOLERANCE ±0.005

ROHS COMPLIANT

DATE 16-01-26



PART NUMBER	REV.
PIC-N-201F	0
DESCRIPTION	SHIELD FRAME
SCALE	3:1
SHEET	1 OF 1