



© 2013 Essentra Components. All rights reserved.
 Registered in England, Company No. 547495.
 Registered Office: Essentra plc
 Langford Locks, Kidlington, Oxford, OX5 1HX

Condition of Sale can be found on our website: essentra.com.

Essentra Components does not warrant that the files will be error free and may create new versions ("Upgrades") at any time, which may correct such errors. Essentra Components has no obligation to notify you of such upgrades. Any upgraded file will be published to the website, when it becomes available.

You are not permitted to load any of the files on to a network server for the purposes of distribution to one or more other computer(s) on that network or to effect such distribution. Essentra Components shall not be liable for any loss or damage whatsoever or however caused, arising directly or indirectly from the use of the files.

UNCONTROLLED COPY

STATUS

APPROVED DRAWING

UNLESS OTHERWISE STATED

ALL DIMENSIONS IN mm

DO NOT SCALE

SIZE	LINEAR TOLERANCE	THIRD ANGLE PROJECTION
0-10	(0) (0.0) (0.00)	
>10-30	±0.5 ±0.15 ±0.10	
>30-50	±0.5 ±0.20 ±0.15	
>50-100	±0.8 ±0.30 ±0.20	
>100-200	±1.5 ±0.50 ±0.25	
>200-300	±2.0 ±0.80 ±0.40	

CREATE DATE	MATERIAL
06.12.2022	PPS

ITEM CODE	COLOUR
10161111	NATURAL

LEGACY NUMBER	FINISH
MINI-HT-4-220	-

TITLE:

SHOULDER WASHER
5.5 MM

DWG. NO.

10161111

SCALE

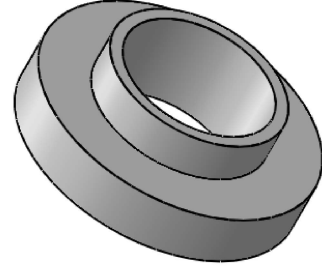
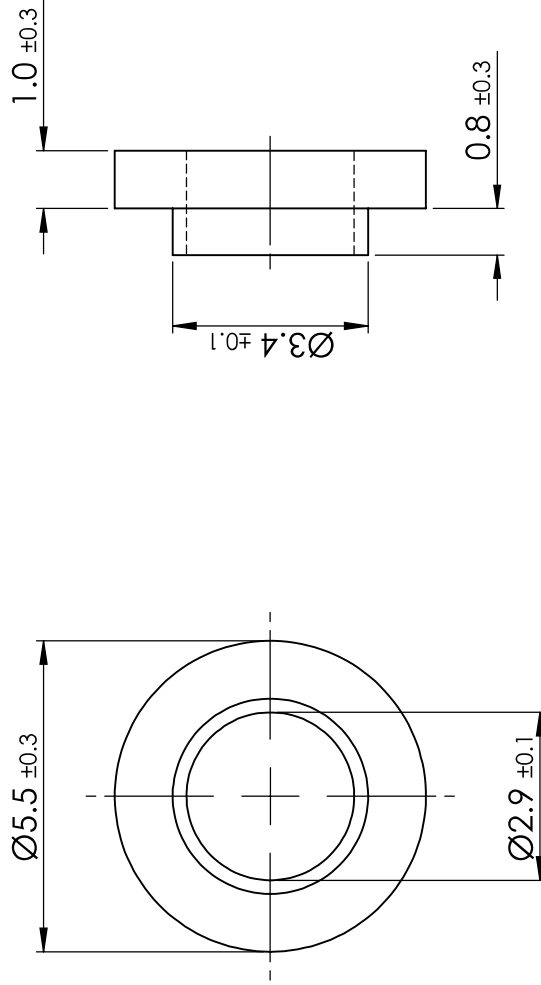
8:1

SHEET

1 of 2

ISSUE

1





© 2013 Essentra Components. All rights reserved.
 Registered in England, Company No. 547495.
 Registered Office: Essentra plc
 Langford Locks, Kidlington, Oxford, OX5 1HX

Condition of Sale can be found on our website: essentra.com.

Essentra Components does not warrant that the files will be error free and may create new versions ("Upgrades") at any time, which may correct such errors. Essentra Components has no obligation to notify you of such upgrades. Any upgraded file will be published to the website, when it becomes available.

You are not permitted to load any of the files on to a network server for the purposes of distribution to one or more other computer(s) on that network or to effect such distribution. Essentra Components shall not be liable for any loss or damage whatsoever or however caused, arising directly or indirectly from the use of the files.

UNCONTROLLED COPY

STATUS

APPROVED DRAWING

UNLESS OTHERWISE STATED

ALL DIMENSIONS IN INCHES

DO NOT SCALE

SIZE	(0.00)	(0.000)	(0.0000)	THIRD ANGLE PROJECTION
0 - 0.394	±0.020	±0.006	±0.004	
>0.394 - 1.181	±0.020	±0.008	±0.006	
>1.181 - 1.969	±0.020	±0.012	±0.008	
>1.969 - 3.937	±0.031	±0.020	±0.010	
>3.937 - 7.874	±0.059	±0.031	±0.016	ANGULAR TOLERANCE ±0.5 DEGREES
>7.874 - 11.811	±0.079	±0.047	±0.031	UNSPECIFIED RADIUS 0.010 INCH
>11.811 - 19.685	±0.118	±0.079	±0.039	DRAFT ANGLE 0.5 DEGREES
>19.685	±0.197	±0.118	±0.059	MINIMUM HOLE DRAGGAGE 0.005 INCHES FOR REFERENCE ONLY

CREATE DATE	MATERIAL
06.12.2022	PPS
ITEM CODE	COLOUR
1016111	NATURAL
LEGACY NUMBER	FINISH
MINI-HT-4-220	-

TITLE:
**SHOULDER WASHER
 5.5 MM**

DWG. NO.	SCALE	SHEET	ISSUE
1016111	1:1	2 of 2	1

