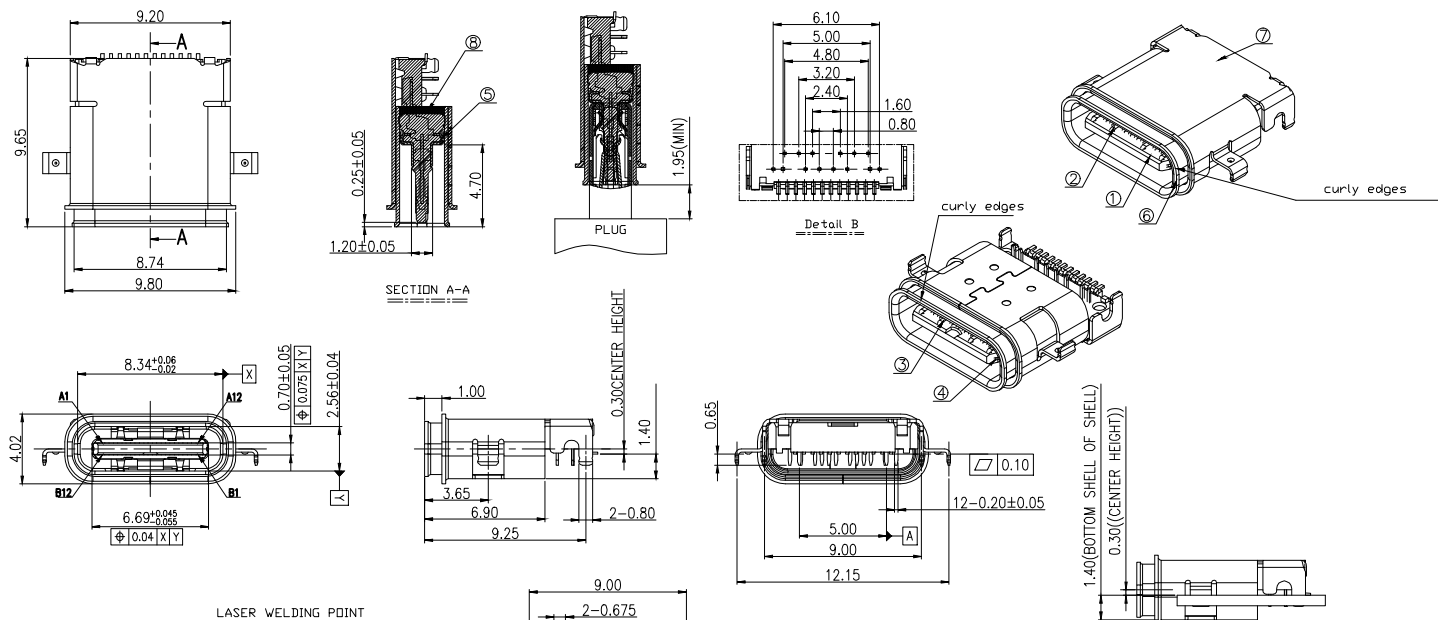
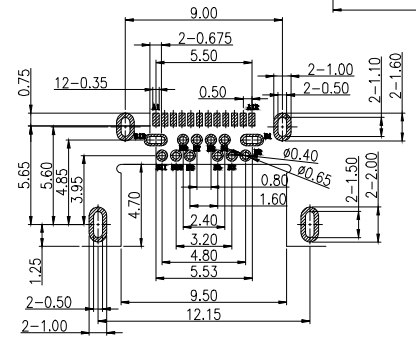
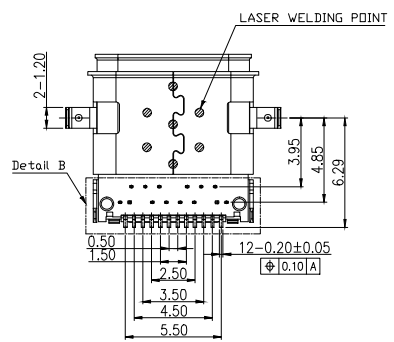


NOTES:
 1. MATERIAL: COPPER ALLOY
 2. FINISH: G/F
 3. ELECTRICAL :
 3-1.CONTACT CURRENT RATING :
 5A(VBUS PIN 1.5A/PIN),
 5A(GND PIN 1.25A/PIN MAX),0.25A/PIN(OTHER PIN).
 3-2.INSULATION RESISTANCE :
 100 MEGAOHMS MIN. AT 25OVDC.
 3-3.DIELECTRIC WITHSTANDING VOLTAGE :
 100VAC MIN.
 3-4.LOW LEVEL CONTACT RESISTANCE :
 INITIAL 40mΩ MAX.
 AFTER 50mΩ MAX.
 3-5.Voltage Rating:20V Max.
 4.MECHANICAL CHARACTERISTICS :
 4-1. MATING FORCE: 5-20N.
 4-2. UNMATING FORCE: 8-20N(INITIAL),6-20N(AFTER 10000 CYCLES);
 4-3.DURABILITY : 10,000 MATING CYCLES.
 4-4.OPERATING TEMPERATURE :-40°C TO +80°C
 4-5.Salt Spray Test:48H Min.(No oxidation or rust).



A1	GND	B12	GND
A2	SSTXP1	B11	SSRXP1
A3	SSTXN1	B10	SSRXN1
A4	VBUS	B9	VBUS
A5	CC1	B8	SBU2
A6	DP1	B7	DN2
A7	DN1	B6	DP2
A8	SBU1	B5	CC2
A9	VBUS	B4	VBUS
A10	SSRXN2	B3	SSTXN2
A11	SSRXP2	B2	SSTXP2
A12	GND	B1	GND
PIN	SIGNAL N/M/F	PIN	SIGNAL N/M/F

⑧	GLUE WATER	1	EPOXY	BLACK	
⑦	Shell-2	1	Stainless steel	NI PLATING;	T=0.20mm
⑥	Shell-1	1	Stainless steel	NI PLATING;	T=0.20mm
⑤	GND PLATE	1	Stainless steel	NI PLATING;	T=0.10mm
④	MID PLATE	1	Stainless steel		T=0.15mm
③	Terminal-B	12	COPPER ALLOY	G F /	T=0.12mm
②	Terminal-A	12		G/F	T=0.12mm
①	Housing	1	HIGH TEMP	Black	
NO.	PART NAME	QTY	MATERIAL	DESCRIPTION	REMARK

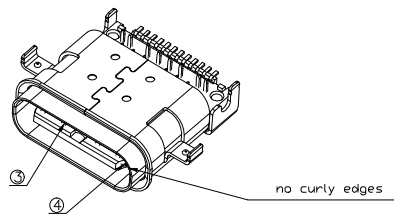
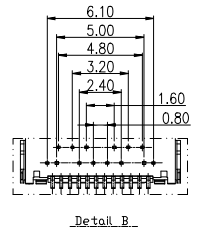
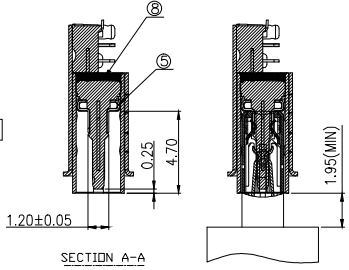
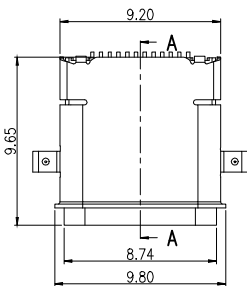


RoHS compliant
 Unit: mm

Scale	Free					Date	Name	Description: USB3.2 GEN1 TYPE C
TOLERANCE						Drawn	Luca	FEMALE / IPX7 / w/curly edges
X.X	±0.30					Approved	Luca	ASSMANN WSW-No.
X.XX	±0.20							A-USBC-32F1-EA-GRR11
X.XXX	±0.10							Drawing-No.
DIM	TOL							ASS 9427 CO
X°	±2°							rev00
①	Drawn		18.03.2022	Luca				Customer-No.
id.	Modification		Date	Name				Sheet 1/4

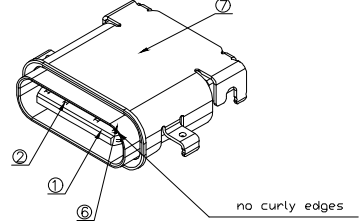
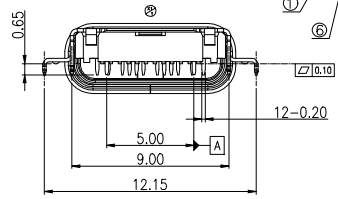
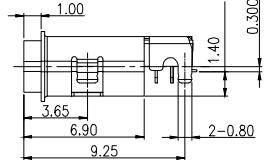
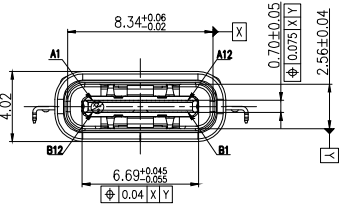


A



NOTES:
 1. MATERIAL: SEE "TABLE"
 2. FINISH: SEE "TABLE"
 3. ELECTRICAL :
 3-1.CONTACT CURRENT RATING :
 5A(VBUS PIN 1.5A/PIN),
 5A(GND PIN 1.25A/PIN MAX),0.25A/PIN(OTHER PIN).
 3-2.INSULATION RESISTANCE :
 100 MEGAOHMS MIN. AT 250VDC.
 3-3.DIELECTRIC WITHSTANDING VOLTAGE :
 100VAC MIN.
 3-4.LOW LEVEL CONTACT RESISTANCE :
 INITIAL 40mΩ MAX.
 AFTER 50mΩ MAX.
 4.MECHANICAL CHARACTERISTICS :
 4-1. MATING FORCE: 5~20N.
 4-2. UNMATING FORCE: 8~20N(INITAL),6~20N(AFTER 10000 CYCLES);
 4-3.DURABILITY : 10,000 MATING CYCLES.
 4-4.OPERATING TEMPERATURE : -40°C TO +80°C

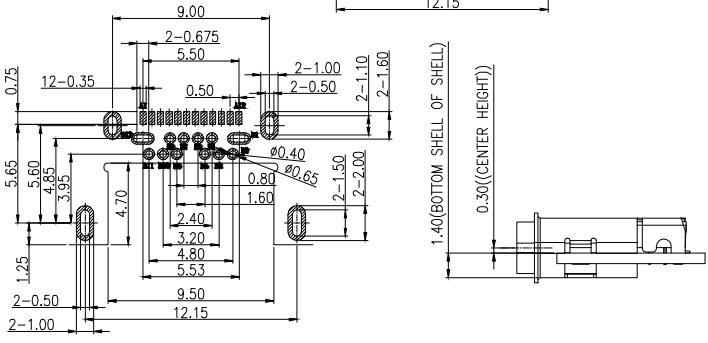
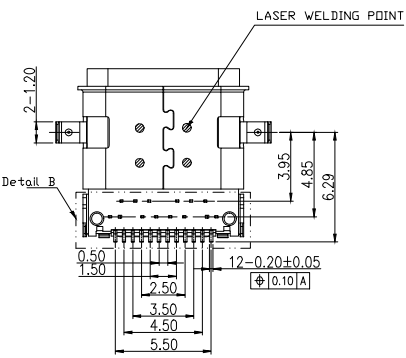
B



C

A1	GND	B12	GND
A2	SSTXP1	B11	SSRXP1
A3	SSTXN1	B10	SSRXN1
A4	VBUS	B9	VBUS
A5	CC1	B8	SBU2
A6	DP1	B7	DN2
A7	DN1	B6	DP2
A8	SBU1	B5	CC2
A9	VBUS	B4	VBUS
A10	SSRXN2	B3	SSTXN2
A11	SSRXP2	B2	SSTXP2
A12	GND	B1	GND
PIN	SIGNAL N/M/F	PIN	SIGNAL N/M/F

D



⑧	GLUE WATER	1	EPOXY	BLACK	
⑦	Shell-2	1	Stainless steel	NI PLATING;	T=0.20mm
⑥	Shell-1	1	Stainless steel	NI PLATING;	T=0.20mm
⑤	GND PLATE	1	Stainless steel	NI PLATING;	T=0.10mm
④	MID PLATE	1	Stainless steel		T=0.15mm
③	Terminal-B	12	COPPER ALLOY	G/F	T=0.12mm
②	Terminal-A	12		G/F	T=0.12mm
①	Housing	1	HIGH TEMP	Black	
NO.	PART NAME	QTY	MATERIAL	DESCRIPTION	REMARK

E

F

RECOMMENDED P.C.B LAYOUT(Both sides are sample)
 Tolerance:±0.05,Thickness=0.60mm

G

RoHS compliant
 Unit: mm

Scale	Free
TOLERANCE	
X.X	±0.30
X.XX	±0.20
X.XXX	±0.10
DIM	TOL
X°	±2°
①	Drawn
Id.	Modification

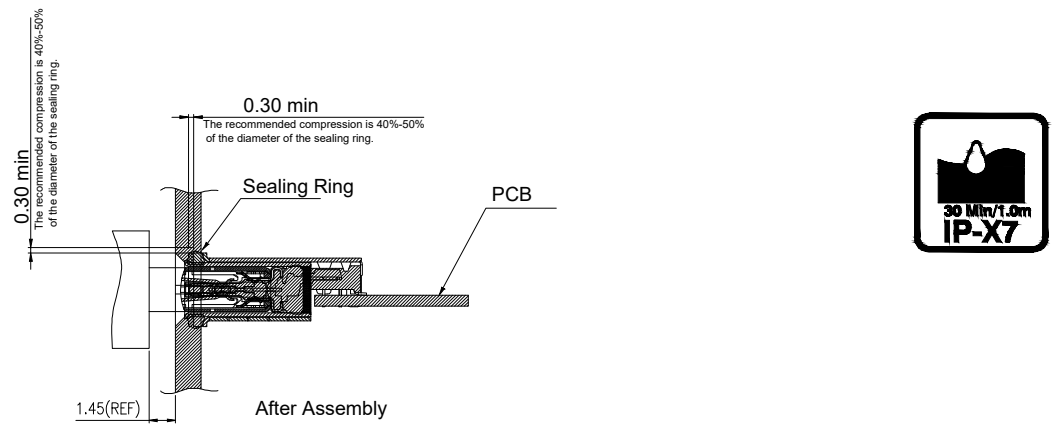
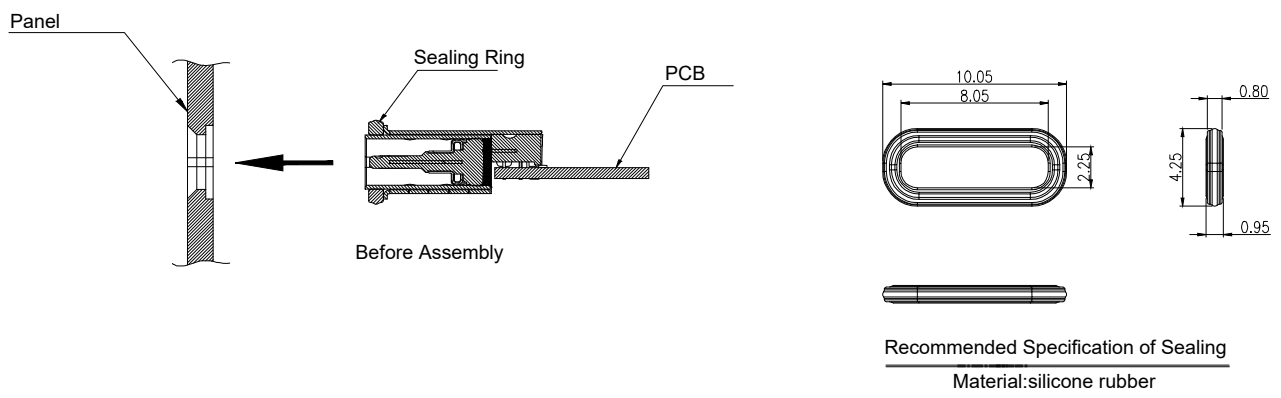
Date	18.03.2022
Name	Luca
Date	18.03.2022
Name	Luca
Date	
Name	
Date	
Name	



Description:	USB3.2 GEN1 TYPE C	
	FEMALE / IPX7 / w/o curly edges	
	ASSMANN WSW-No.	
	A-USB-C-32F1-EA-GRR12	
Drawing-No.		
	ASS 9427 CO	rev00
Customer-No.		Sheet 2/4

H

Recommended Sealing Method



G	RoHS compliant Unit: mm	Scale	Free					Date	Name	Description: USB3.2 GEN1 TYPE C	
		TOLERANCE						Drawn	18.03.2022	Luca	Instruction
		X.X	±0.30					Approved	18.03.2022	Luca	ASSMANN WSW-No.
		X.XX	±0.20								A-USBC-32F1-EA-GRRxx
H		X.XXX	±0.10							Drawing-No.	
		DIM	TOL							ASS 9427 CO	rev00
		X°	±2°								
				①	Drawn	18.03.2022	Luca	ASSMANN WSW components		Customer-No.	Sheet
		Id.	Modification	Date	Name		3/4				

A

B

C

D

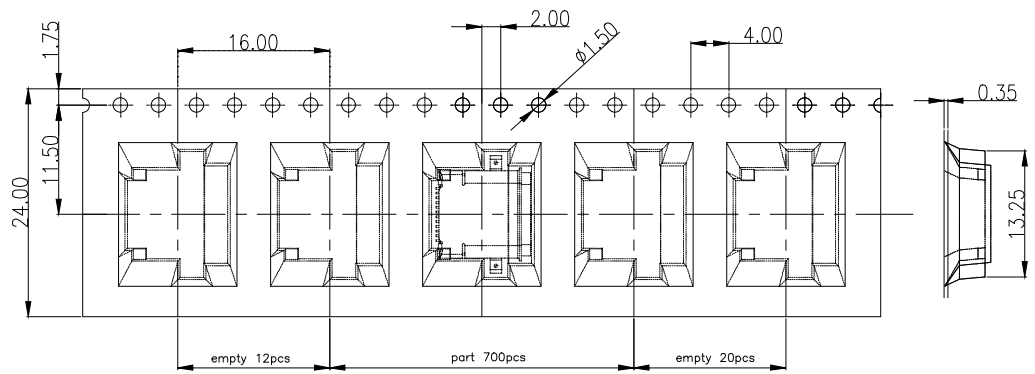
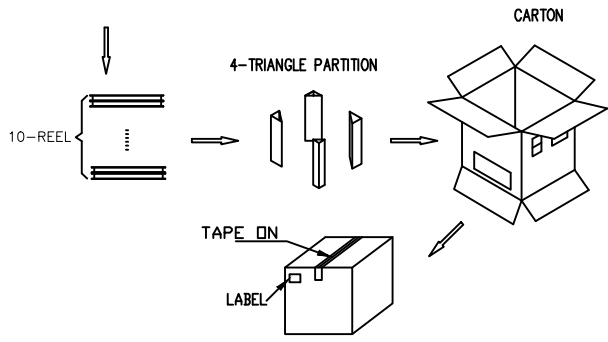
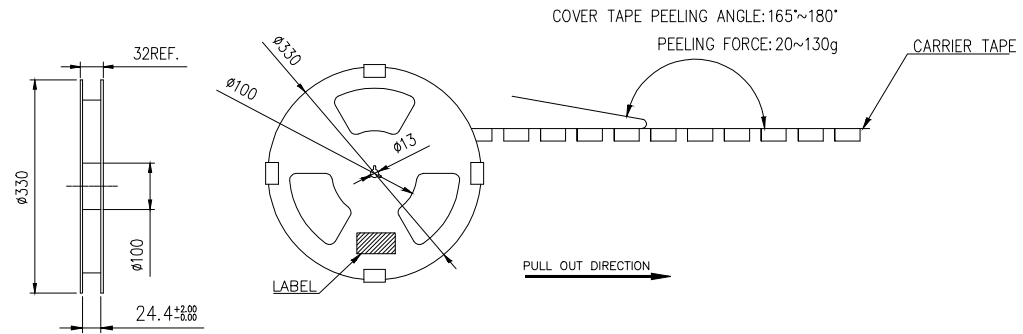
E

F

G

H

NOTES
 1.NUMBER OF CONNECTORS: 700PCS/REEL
 2.QUANTITY: 7000PCS/CARTON



PACKAGE OF SEALING RING

5000	6	30000
PCS/ BAG	BAG/ CASE	PCS/ CASE

RoHS compliant
 Unit: mm

Scale	Free						Date	Name	Description: USB3.2 GEN1 TYPE C Tape & Reel packaging
TOLERANCE							Drawn	Luca	
X.X	± 0.30						Approved	Luca	ASSMANN WSW-No. A-USBC-32F1-EA-GRRxx
X.XX	± 0.20								
X.XXX	± 0.10								Drawing-No. ASS 9427 CO rev00
DIM	TOL								
X°	$\pm 2^{\circ}$								Customer-No. Sheet 4/4
①	Drawn		18.03.2022	Luca					
Id.	Modification		Date	Name					