

1

2

3

4

5

6

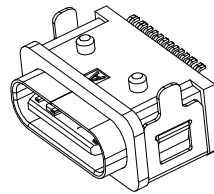
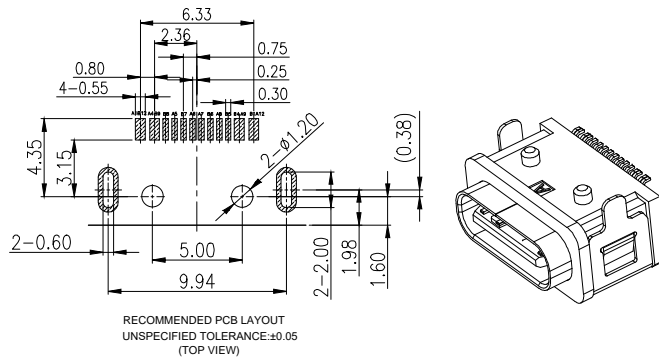
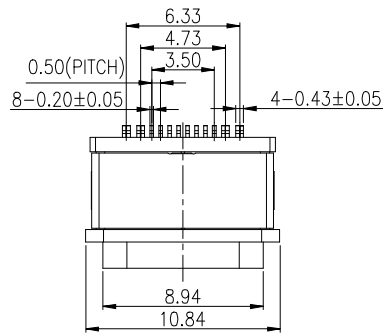
7

A

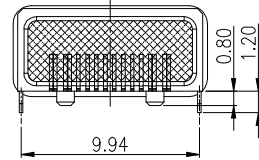
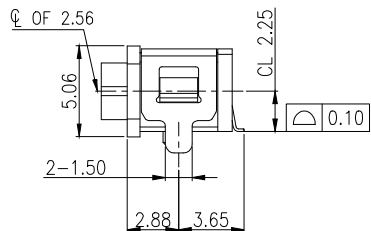
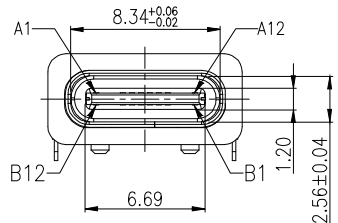
SPECIFICATION:

- 1. CURRENT RATING: 3.0A MAX
- 2. DIELECTRIC WITHSTAND VOLTAGE: 100VAC
- 3. TEMPERATURE RANGE: -30 °C ~ 85 °C
- 4. CONTACT RESISTANCE: 40 MILLIONHM MAX
- 5. INSULATION RESISTANCE: 100 MEGOHMS MIN.
- 6. INSERTION FORCE : 5N~20N
- 7. UNMATING FORCE: 8N~20N
- 8. DURABILITY:10,000 CYCLES
- 9. WATER PROOFNESS:THIS PRODUCT IS BASED ON IPX8.

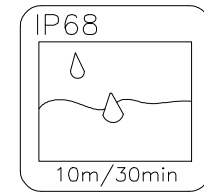
B



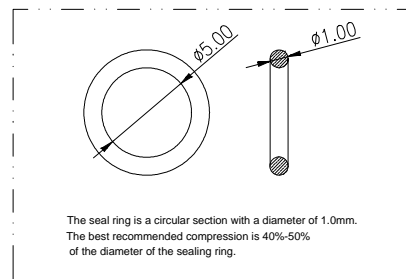
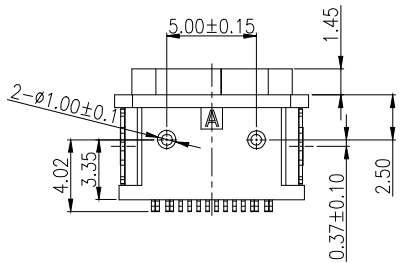
C



A1	GND	B12	GND
A4	VBUS	B9	VBUS
A5	CC1	B8	SBU2
A6	DP1	B7	DN2
A7	DN1	B6	DP2
A8	SBU1	B5	CC2
A9	VBUS	B4	VBUS
A12	GND	B1	GND
PIN	SIGNAL NAME	PIN	SIGNAL NAME



D



5	Shell2	1	SUS301 Ni Plating T=0.20mm	Ni:40u"Min;
4	Shell1	1	SUS301 Ni Plating T=0.25mm	Ni:40u"Min;
3	Housing2	1	PA10T(G.F30%)	BLACK
2	Contact	6	Phosphor bronze_C5210R-EH Au/Ni Plating T=0.20mm	Ni:40u"Min; Au:CONTACT AREA:1u", OTHER AREA:G/F
1	Housing	1	PA10T (G.F30%)	BLACK
ITEM	PART NAME	Q'TY	FINISH	NOTE

G

RoHS compliant
Unit: mm

Scale	Free
TOLERANCE	
X.X	±0.30
X.XX	±0.20
X.XXX	±0.10
DIM	TOL
X°	±2°
①	Drawn
Id.	Modification

Date	Name	Description: USB Connector
08.06.2022	Luca	USB2.0 TYPE C / FEMALE / 16pin / IPX8
08.06.2022	Luca	ASSMANN WSW-No. A-USBC-20F0-EA-GSR05
08.06.2022	Luca	Drawing-No. ASS 9424CO
08.06.2022	Luca	Customer-No.
		Sheet 1/2



H

1

2

3

4

5

6

7

1 2 3 4 5 6 7

A B C D E F

NOTES

1. NUMBER OF CONNECTORS: 700PCS/REEL
2. LEAD TAPE LENGTH

3. QUANTITY: 7000PCS/CARTON

RoHS compliant
Unit: mm

G	Scale	Free					Date	Name	Description: USB Connector		
	TOLERANCE						Drawn	08.06.2022	Luca	USB2.0 TYPE C / FEMALE / 16pin / IPX8	
	X.X	±0.30					Approved	08.06.2022	Luca	ASSMANN WSW-No.	
	X.XX	±0.20								A-USBC-20F0-EA-GSR05	
	X.XXX	±0.10								Drawing-No.	
H	DIM	TOL							ASS 9424 CO		rev00
	X°	±2°							Customer-No.		Sheet 2/2
			①	Drawn		08.06.2022	Luca				
			Id.	Modification		Date	Name				

1 2 3 4 5 6 7

SV5151