

1

2

3

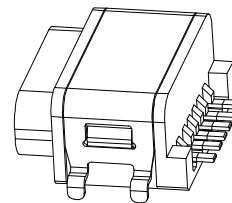
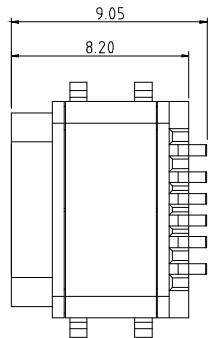
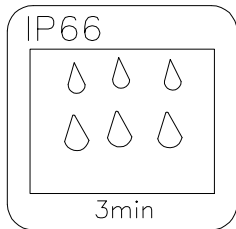
4

5

6

7

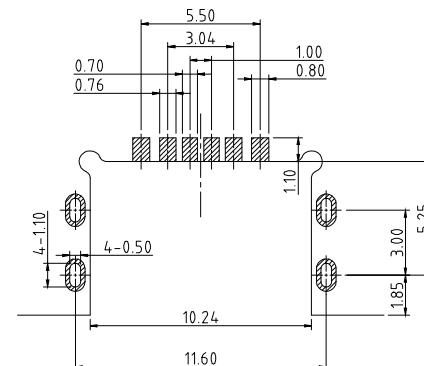
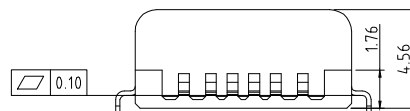
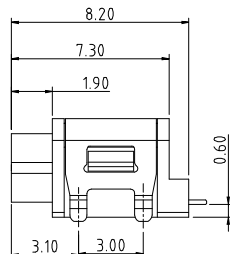
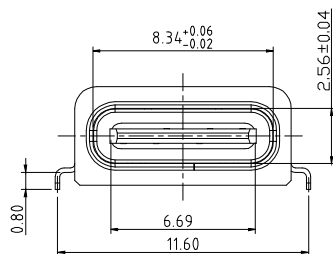
A



- SPECIFICATIONS:
- ELECTRICAL CHARACTERISTICS:
 - RATING: 3A;
 - CONTACT RESISTANCE: 30 mΩ MAX.(INITIAL);
 - DIELECTRIC WITHSTANDING: 100V AC MIN.;
 - INSULATION RESISTANCE: 100MΩ MIN.;
 - DURABILITY: 10,000 CYCLES MIN.;
 - INSERTION FORCE: 5-20N;
 - EXTRACTION FORCE: 6-20N;
 - WATER PROOFNESS: THIS PRODUCT IS BASED ON IPX6.
 - PLUG INTERFACE DIMENSIONS COMFORM TO USB2.0 SPEC.
 - PACKAGING: TAPE & REEL.

B

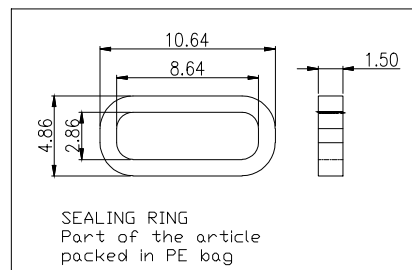
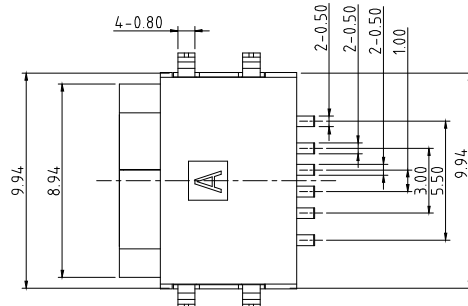
C



RECOMMENDED P.C.B. LAYOUT
TOLERANCE UNSPECIFIED ±0.05mm

D

E



PIN	SIGNAL NAME	PIN	SIGNAL NAME
A5	CC1	B12	GND
A9	VBUS	B9	VBUS
A12	GND	B5	CC2

F

ITEM	PART NAME	Q'TY	FINISH	NOTE
3	Shell	1	SUS304R-1/2H Ni Plating T=0.25mm	
2	Contact	6	Phosphor bronze C5191R-EH Au/Ni Plating T=0.20mm	
1	Housing	1	PA10T (G.F30%) BLACK	

G

RoHS compliant
Unit: mm

Scale	Free
TOLERANCE	
X.X	±0.38
X.XX	±0.25
X.XXX	±0.15
DIM	TOL
X°	±2°

Date	Name	Description:
08.06.2022	Luca	USB Connector TYPE C / FEMALE / 6pin / Charge Only / IPX6
23.11.2022	Luca	ASSMANN WSW-No. A-USBC-UCFP-EA-GSR05
		Drawing-No.
		ASS 9422 CO
		Customer-No.

①	Modification	Date	Name
①	Add sealing ring	23.11.2022	Luca
②	Drawn	08.06.2022	Luca
Id.	Modification	Date	Name



H

1

2

3

4

5

6

7

1

2

3

4

5

6

7

A

B

C

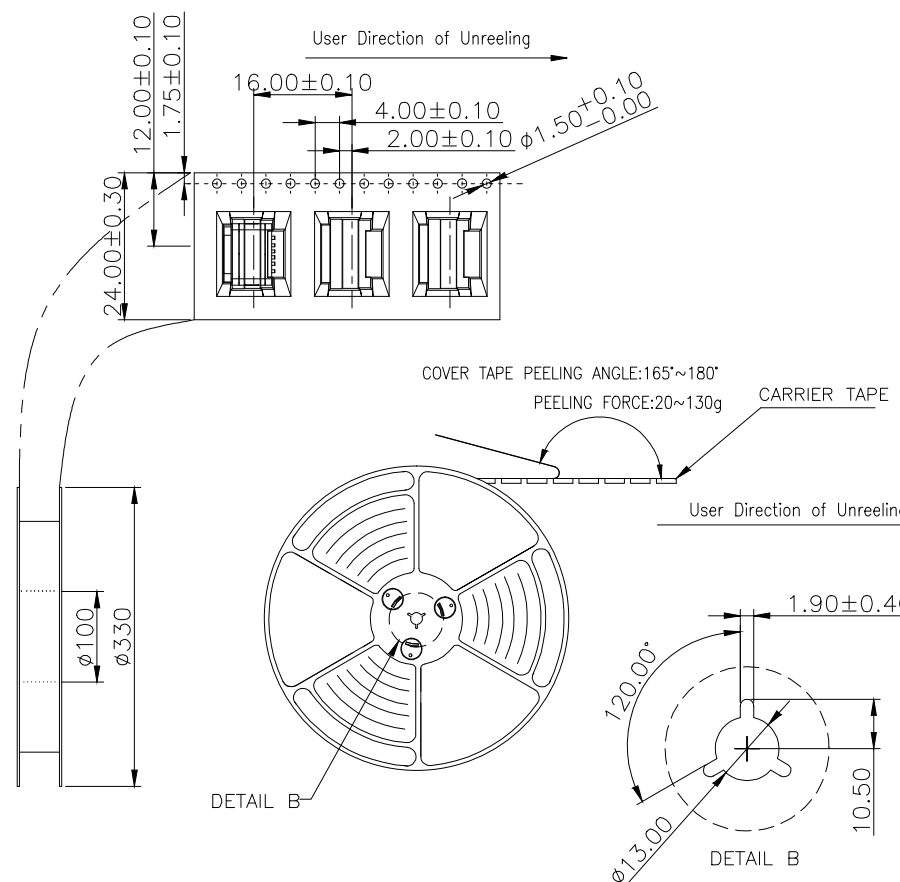
D

E

F

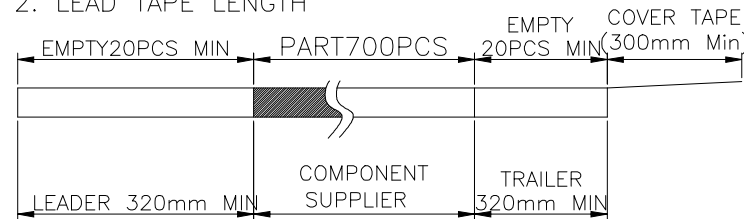
G

H

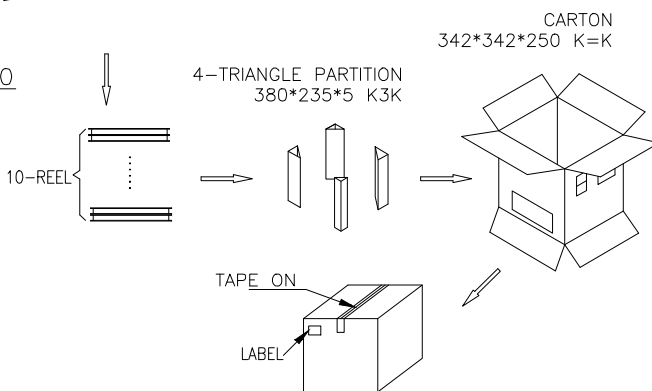


NOTES

- 1. NUMBER OF CONNECTORS: 700PCS/REEL
- 2. LEAD TAPE LENGTH



- 3. QUANTITY: 7000PCS/CARTON



RoHS compliant
Unit: mm

Scale	Free						Date	Name	Description: USB Connector
TOLERANCE						Drawn	08.06.2022	Luca	TYPE C / FEMALE / 6pin / Charge Only / IPX6
X.X	±0.30					Approved	23.11.2022	Luca	ASSMANN WSW-No.
X.XX	±0.20								A-USBC-UCFP-EA-GSR05
X.XXX	±0.10								Drawing-No.
DIM	TOL	①	Add sealing ring	23.11.2022	Luca	ASSMANN WSW components		ASS 9422 CO	rev01
X°	±2°	②	Drawn	08.06.2022	Luca			Customer-No.	Sheet 2/2
		Id.	Modification	Date	Name				

1

2

3

4

5

6

7