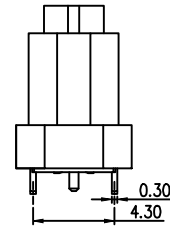
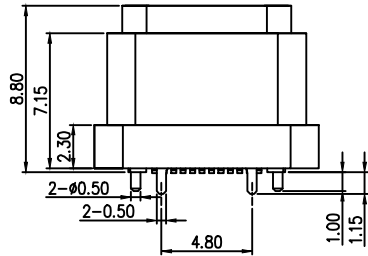
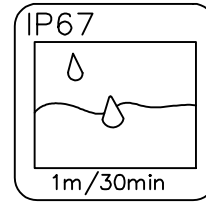
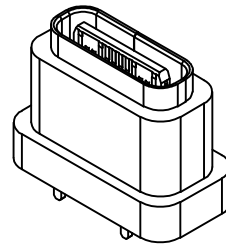
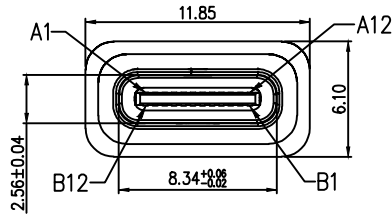
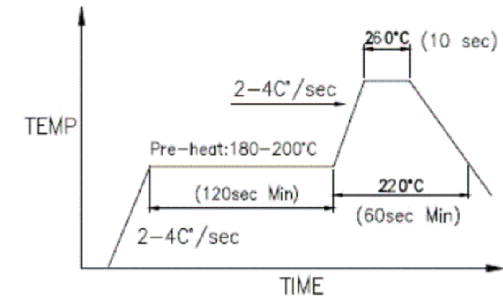
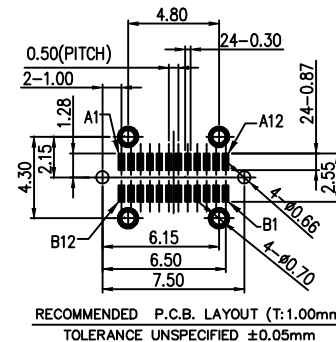
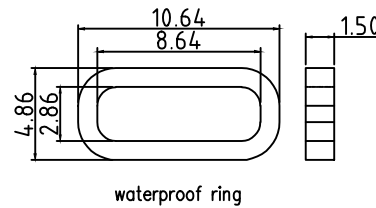
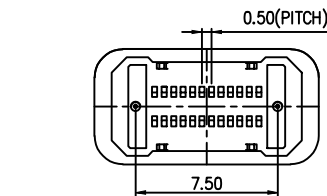


① NOTES:

1. MATERIAL:
  - 1.1 HOUSING: LCP UL94V-0; COLOR: BLACK
  - 1.2 TERMINAL: C7025
  - 1.3 SHELL: SUS304
  - 1.4 SHELL HOUSING: PA10T; COLOR BLACK.
  - 1.5 MID PLATE: SUS301.
  - 1.6 WATERPROOF RING: SILICA GEL; COLOR BLACK.
2. FINISH:
  - 2.1 TERMINAL: AU 1U" PLATED ON CONTACT AREA; G/F PLATED ON SOLDER AREA; Ni 30u" MIN. UNDERPLATED OVERALL.
  - 2.2 SHELL: Ni 30u" MIN. PLATED OVERALL
3. ELECTRICAL SPECIFICATION:
  - 3.1 RATED CURRENT: VBUS PIN 3.0A; GND PIN 1.25A; Other pin 0.25A
  - 3.2 CONTACT RESISTANCE: 40mΩ MAX(INITIAL). 50mΩ MAX (AFTER).
  - 3.3 INSULATION RESISTANCE: 100MΩ MIN.
  - 3.4 DIELECTRIC WITHSTANDING VOLTAGE: 100V AC .
4. MACHINERY SPECIFICATION:
  - 4.1 MATING FORCE: 5N~20N.  
UNMATING FORCE: 8N~20N. (AFTER TEST: 6N~20N).
  - 4.2 DURABILITY: 10000 CYCLES MIN.
5. ENVIRONMENTAL SPECIFICATION:
  - 5.1 OPERATING CONDITION: TEMPERATURE -30°C~+85°C; HUMIDITY 80% R.H MAX
  - 5.2 SALT SPRAY: 24H
6. SOLDER ABILITY: 245±5°C, 5±0.5s
7. IR REFLOW: THE PEAK TEMPERATURE ON THE BOARD SHALL BE MAINTAINED FOR 10 SECONDS AT 260°C.



PIN NUMBER	SIGNAL NAME	PIN NUMBER	SIGNAL NAME
A1	GND	B12	GND
A2	SSTXp1	B11	SSRXp1
A3	SSTXn1	B10	SSRXn1
A4	VBUS	B9	VBUS
A5	CC1	B8	SBU2
A6	Dp1	B7	Dn2
A7	Dn1	B6	Dp2
A8	SBU1	B5	CC2
A9	VBUS	B4	VBUS
A10	SSRXn2	B3	SSTXn2
A11	SSRXp2	B2	SSTXp2
A12	GND	B1	GND



**RoHS compliant**  
Unit: mm

Scale	Free
TOLERANCE	
X.X	±0.38
X.XX	±0.25
X.XXX	±0.15
DIM	TOL
X°	±2°
Id.	Modification

①	Update notes	08.12.2023	Luca
②	Drawn	06.06.2022	Luca



Description: USB Connector	
USB TYPE C / USB3.2 GEN2/ IPX7	
ASSMANN WSW-No.	
A-USBC-32F2-EG-GSR01	
Drawing-No.	
ASS 9394 CO	rev01
Customer-No.	Sheet 1/2

1

2

3

4

5

6

7

A

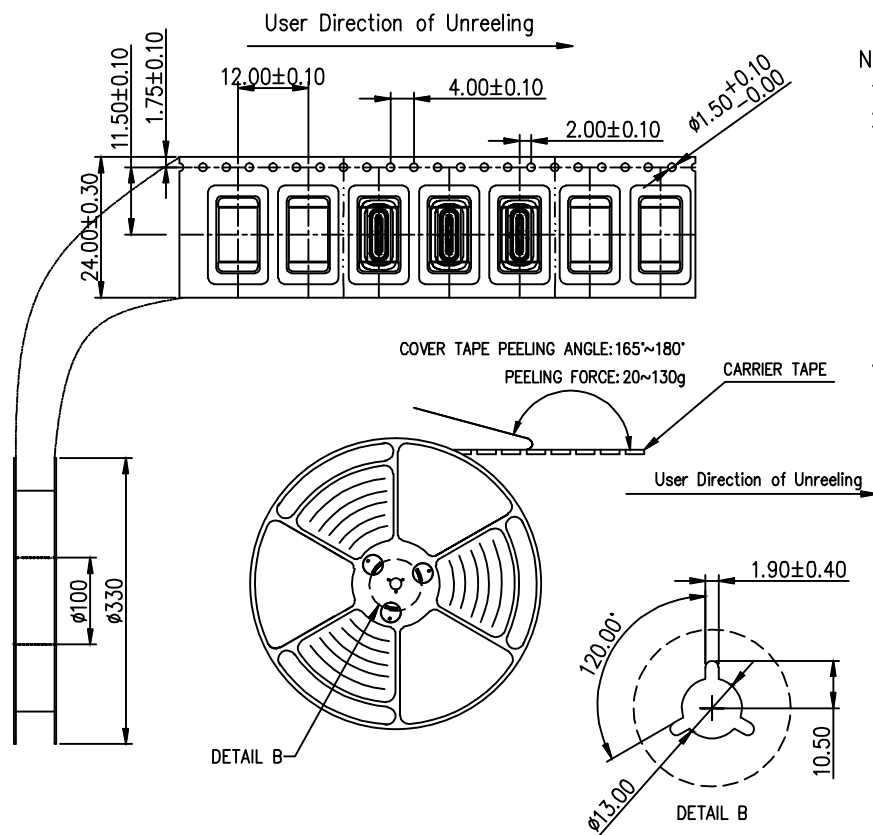
B

C

D

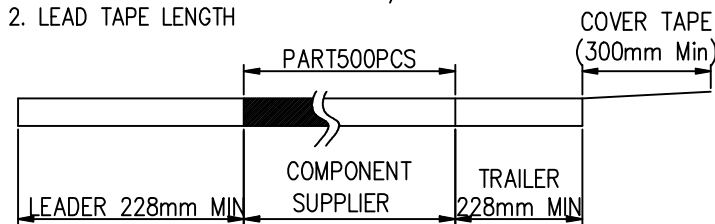
E

F

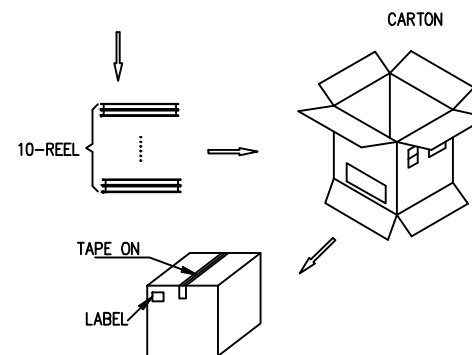


NOTES

- 1. NUMBER OF CONNECTORS: 500PCS/REEL
- 2. LEAD TAPE LENGTH



- 3. QUANTITY: 5000PCS/CARTON



**RoHS compliant**  
Unit: mm

Scale	Free						Date	Name	Description: USB Connector USB TYPE C / USB3.2 GEN2/ IPX7
TOLERANCE						Drawn	06.06.2022	Luca	
X.X	±0.38					Approved	08.12.2023	Luca	ASSMANN WSW-No. <b>A-USBC-32F2-EG-GSR01</b>
X.XX	±0.25								
X.XXX	±0.15								Drawing-No. <b>ASS 9394 CO</b>
DIM	TOL	①	Update notes	08.12.2023	Luca				
X°	±2°	②	Drawn	06.06.2022	Luca				
		Id.	Modification	Date	Name				Customer-No.

1

2

3

4

5

6

7