



1

2

3

4

5

6

7

A

B

C

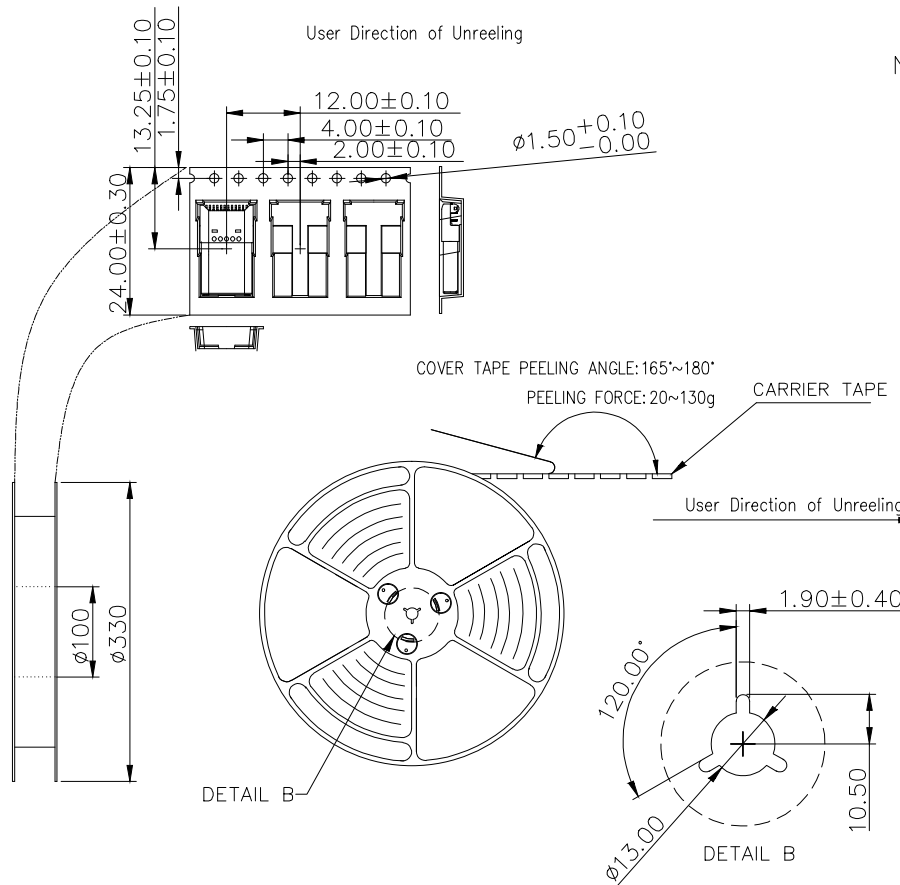
D

E

F

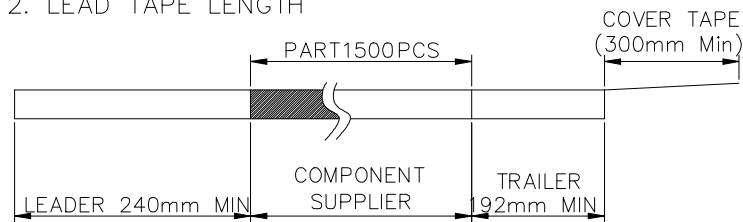
G

H

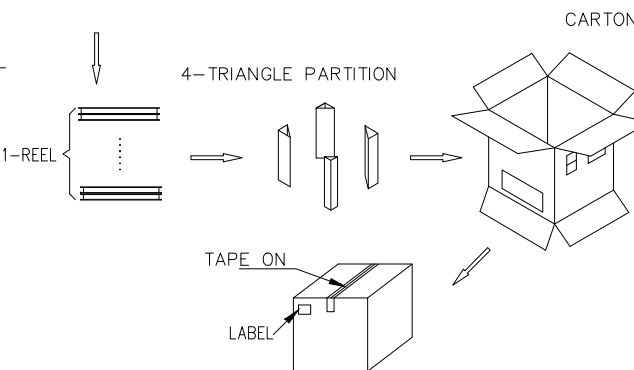


NOTES

- 1. NUMBER OF CONNECTORS: 1500 PCS/REEL
- 2. LEAD TAPE LENGTH



- 3. QUANTITY: 16500 PCS/CARTON



**RoHS compliant**  
Unit: mm

Scale	Free					Date	Name	Description: USB Connector	
TOLERANCE						Drawn	20.04.2022	Luca	USB TYPE C / USB3.2 GEN1/ MALE
X.X	±0.38					Approved	20.04.2022	Luca	ASSMANN WSW-No.
X.XX	±0.25								A-USBC-32M1-EA-GRR01
X.XXX	±0.15								Drawing-No.
DIM	TOL					<b>ASSMANN</b> WSW components		ASS 9367 CO	rev00
X°	±2°							Customer-No.	Sheet 2/2
		①	Drawn	20.04.2022	Luca				
		Id.	Modification	Date	Name				

1

2

3

4

5

6

7