

1

2

3

4

5

6

7

A

B

C

D

E

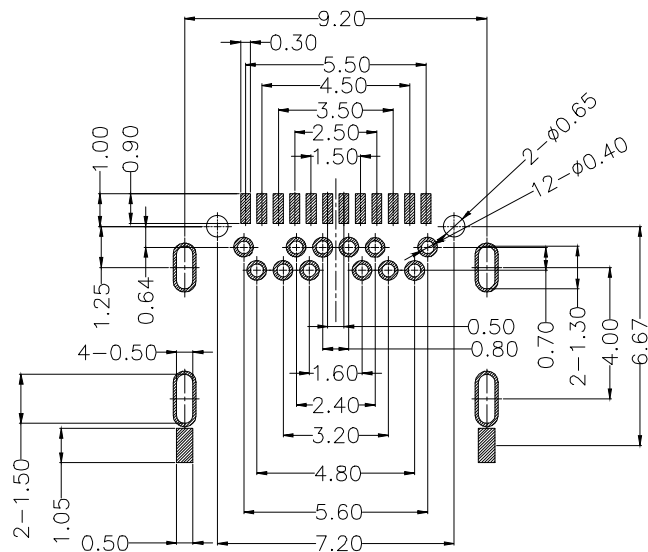
F

G

H

USB TYPE-C FULL-FEATURED RECEPTACLE INTERFACE PIN ASSIGNMENTS

PIN	Signal Name	Description	PIN	Signal Name	Description
A1	GND	Ground return	B12	GND	Ground return
A2	SSTXp1	Positive half of first SuperSpeed TX differential pair	B11	SSRXp1	Positive half of first SuperSpeed RX differential pair
A3	SSTXn1	Negative half of first SuperSpeed TX differential pair	B10	SSRXn1	Negative half of first SuperSpeed RX differential pair
A4	VBUS	Bus Power	B9	VBUS	Bus Power
A5	CC1	Configuration Channel	B8	SBU2	Sideband Use (SBU)
A6	Dp1	Positive half of the USB 2.0 differential pair-Position 1	B7	Dn2	Negative half of the USB 2.0 differential pair-Position 2
A7	Dn1	Negative half of the USB 2.0 differential pair-Position 1	B6	Dp2	Positive half of the USB 2.0 differential pair-Position 2
A8	SBU1	Sideband Use(SBU)	B5	CC2	Configuraaion Channel
A9	VBUS	Bus Power	B4	VBUS	Bus Power
A10	SSRXn2	Negative half of second SuperSpeed RX differential pair	B3	SSTXn2	Negative half of second SuperSpeed TX differential pair
A11	SSRXp2	Positive half of second SuperSpeed RX differential pair	B2	SSTXp2	Positive half of second SuperSpeed TX differential pair
A12	GND	Ground return	B1	GND	Ground return



RECOMMENDED P.C.B LAYOUT(COMPONENT SIDE)

PCB THICKNESS:2.0±0.05mm

RoHS compliant

Unit: mm

Scale Free

TOLERANCE

X.X ±0.30

X.XX ±0.20

X.XXX ±0.10

DIM TOL

X° ±2°

①

Drawn

18.03.2022

Luca

Id.

Modification

Date

Name

Date

Name

Description: USB Connector

USB3.2 GEN1 TYPE C / FEMALE / 90°

ASSMANN WSW-No.

A-USBC-32F1-EA-KRR09

Drawing-No.

ASS 9329 CO

rev00

Customer-No.

Sheet
2/3

1

2

3

4

5

6

7

SV5151

1

2

3

4

5

6

7

A

B

C

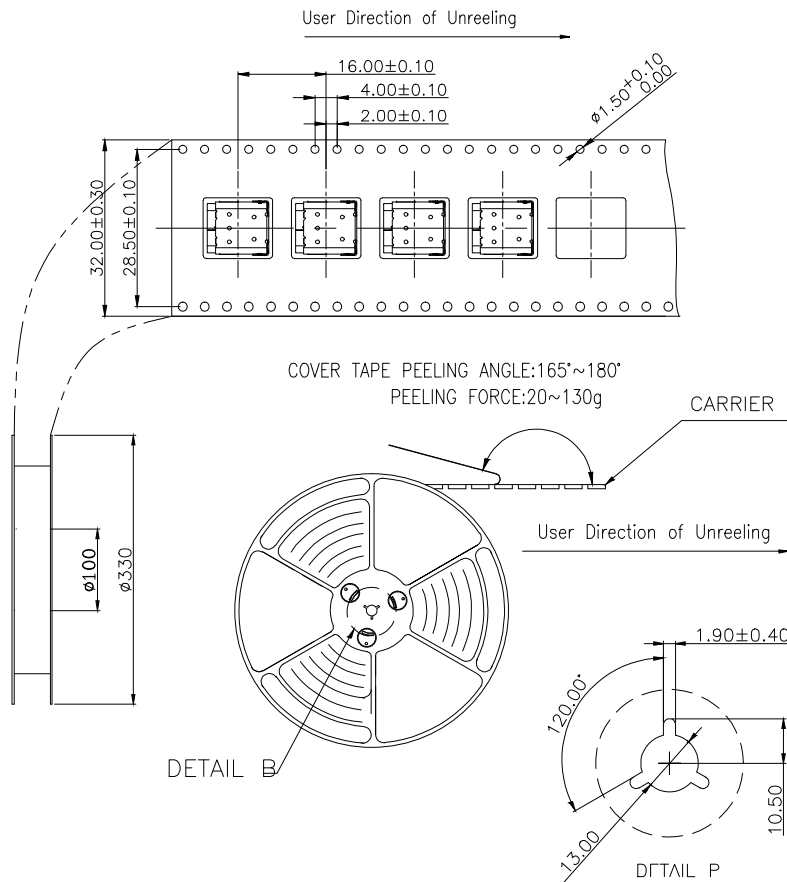
D

E

F

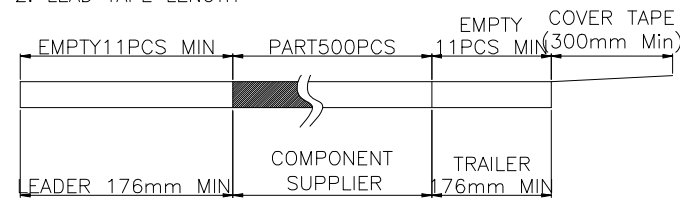
G

H

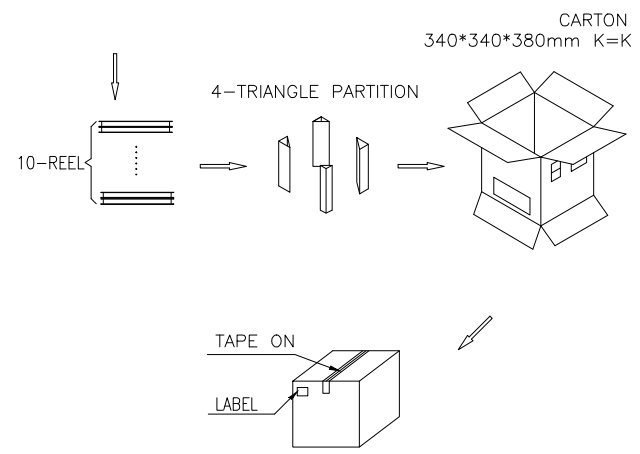


NOTES

- 1. NUMBER OF CONNECTORS: 500PCS/REEL
- 2. LEAD TAPE LENGTH



3. QUANTITY: 5000PCS/CARTON



RoHS compliant
Unit: mm

Scale	Free						Date	Name
TOLERANCE						Drawn	18.03.2022	Luca
X.X	±0.30					Approved	18.03.2022	Luca
X.XX	±0.20							
X.XXX	±0.10							
DIM	TOL							
X°	±2°							
①	Drawn		18.03.2022	Luca				
Id.	Modification		Date	Name				

Description: USB Connector	
USB3.2 GEN1 TYPE C / FEMALE / 90°	
ASSMANN WSW-No. A-USBC-32F1-EA-KRR09	
Drawing-No.	ASS 9329 CO
Customer-No.	rev00
	Sheet 3/3

1

2

3

4

5

6

7