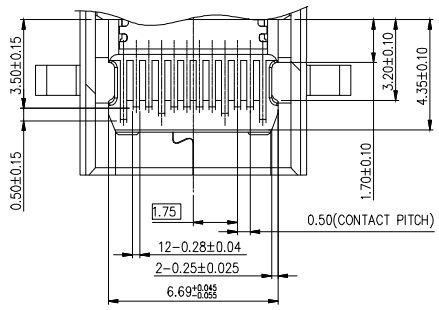
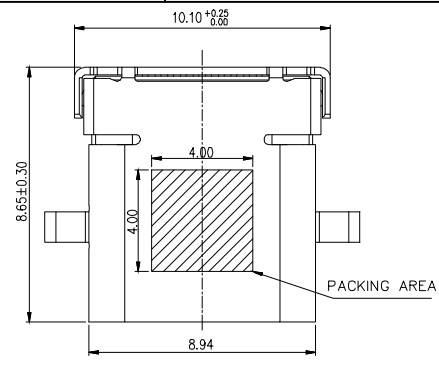


1 2 3 4 5 6 7

A

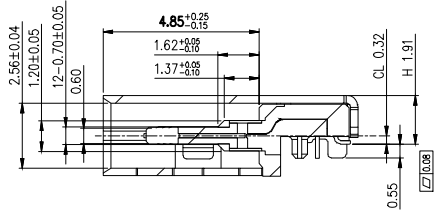
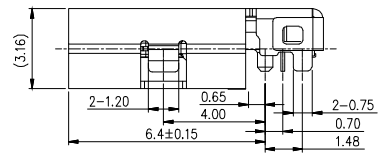
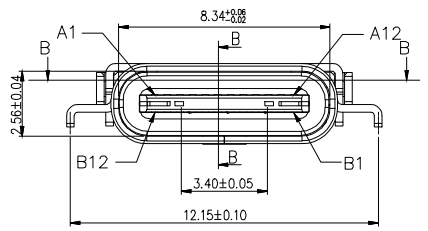


NOTES: 1.MATERIAL:
MOLDING: LCP UL94 V-0
CONTACT: COPPER ALLOY.
G/F PLATED ON CONTACT AREA,
G/F PLATED ON SOLDER AREA,
50u" NICKEL PLATING OVER ALL.
SHELL: SUS304-H,T=0.30±0.03mm
50u" NICKEL PLATING OVER ALL.
SHILD: SUS304-H,T=0.12±0.03mm
2.MECHANICAL:
INSERTION: 5~20N.
EXTRACTION: 8~20N.
DURABILITY: 10000 CYCLES
3.ELECTRICAL:
CURRENT: 5A MIN FOR VBUS;
0.25A MIN FOR OTHER.
VOLTAGE: 5VAC MAX
WITHSTANDING VOLTAGE: 100V AC. R.M.S
CONTACT RESISTANCE: 40mΩ MAX.
INSULATION RESISTANCE: 100MΩ MIN.
4.ENVIRONMENTAL
TEMPERATURE RANGE: -30°C TO +80°C

B

SECTION B-B

C

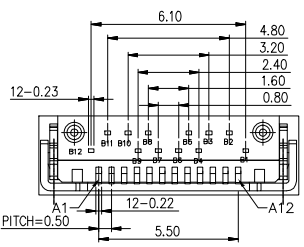
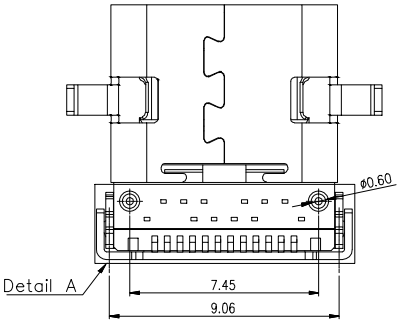


SECTION A-A

D

E

F



Detail A

G

RoHS compliant
Unit: mm

Scale	Free						Date	Name	Description: USB Connector
TOLERANCE						Drawn	18.03.2022	Luca	USB3.2 GEN1 TYPE C / FEMALE / 90°
X.X	±0.30					Approved	18.03.2022	Luca	ASSMANN WSW-No.
X.XX	±0.20								A-USBC-32F1-EA-GRR07
X.XXX	±0.10								Drawing-No.
DIM	TOL								ASS 9327 CO
X°	±2°								rev00
		①	Drawn	18.03.2022	Luca				
		Id.	Modification	Date	Name				

H

1 2 3 4 5 6 7

1

2

3

4

5

6

7

A

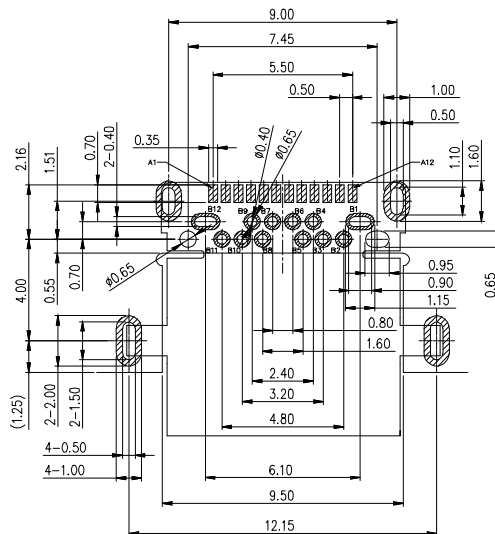
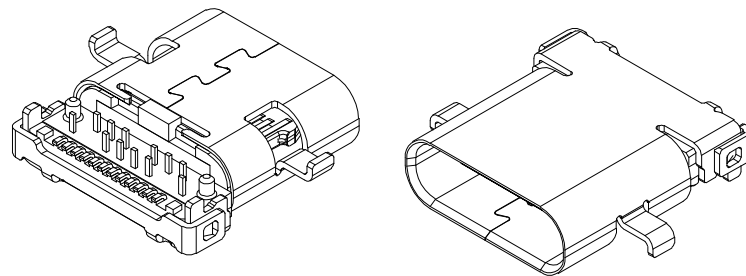
B

C

D

E

F



RECOMMEND P.C.B LAYOUT(COMPONENT SIDE)

TOLERANCE FOR PCB LAYOUT IS ± 0.05

KEEP OUT AREA

USB TYPE-C FULL-FEATURED RECEPTACLE INTERFACE PIN ASSIGNMENTS

PIN	Signal Name	Description	PIN	Signal Name	Description
A1	GND	Ground return	B12	GND	Ground return
A2	SSTXp1	Positive half of first SuperSpeed TX differential pair	B11	SSRXp1	Positive half of first SuperSpeed RX differential pair
A3	SSTXn1	Negative half of first SuperSpeed TX differential pair	B10	SSRXn1	Negative half of first SuperSpeed RX differential pair
A4	VBUS	Bus Power	B9	VBUS	Bus Power
A5	CC1	Configuration Channel	B8	SBU2	Sideband Use (SBU)
A6	Dp1	Positive half of the USB 2.0 differential pair-Position 1	B7	Dn2	Negative half of the USB 2.0 differential pair-Position 2
A7	Dn1	Negative half of the USB 2.0 differential pair-Position 1	B6	Dp2	Positive half of the USB 2.0 differential pair-Position 2
A8	SBU1	Sideband Use(SBU)	B5	CC2	Configuraation Channel
A9	VBUS	Bus Power	B4	VBUS	Bus Power
A10	SSRXn2	Negative half of second SuperSpeed RX differential pair	B3	SSTXn2	Negative half of second SuperSpeed TX differential pair
A11	SSRXp2	Positive half of second SuperSpeed RX differential pair	B2	SSTXp2	Positive half of second SuperSpeed TX differential pair
A12	GND	Ground return	B1	GND	Ground return

G

RoHS compliant
Unit: mm

Scale Free

TOLERANCE

X.X ±0.30

X.XX ±0.20

X.XXX ±0.10

DIM TOL

X° ±2°

Drawn	18.03.2022	Luca
Approved	18.03.2022	Luca
Id.	Modification	Date Name

Date Name

Drawn 18.03.2022 Luca

Approved 18.03.2022 Luca

ASSMANN
WSW components

Description: USB Connector
USB3.2 GEN1 TYPE C / FEMALE / 90°

ASSMANN WSW-No.
A-USBC-32F1-EA-GRR07

Drawing-No.
ASS 9327 CO rev00

Customer-No. Sheet 2/3

H

1

2

3

4

5

6

7

1

2

3

4

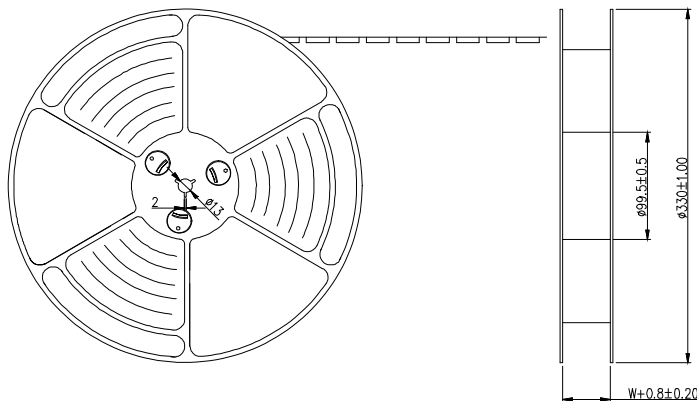
5

6

7

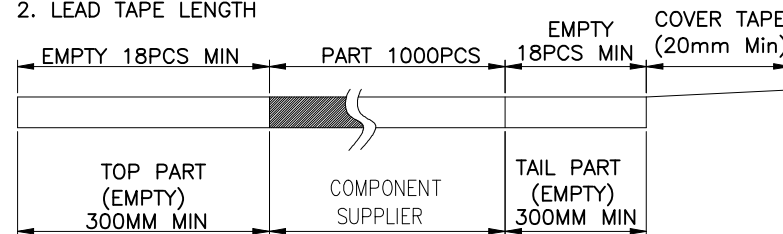
A

PULL OUT DIRECTEON



NOTES

- 1. NUMBER OF CONNECTORS: 1000PCS/REEL
- 2. LEAD TAPE LENGTH

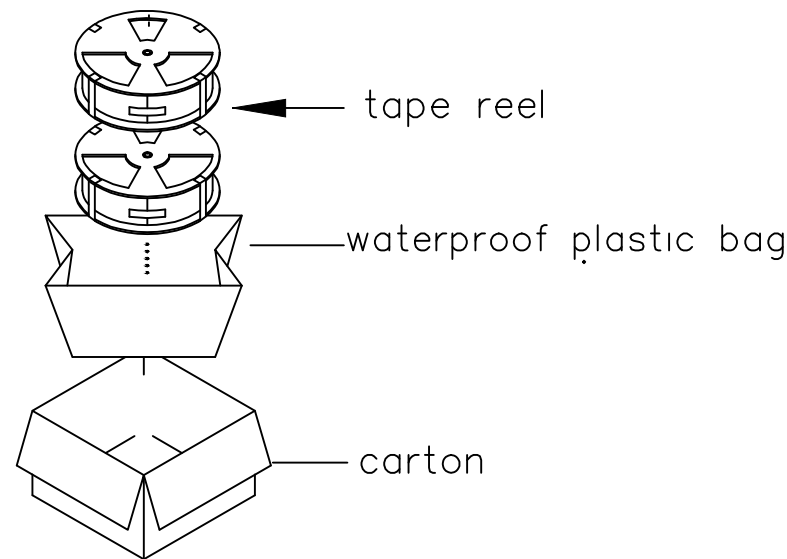
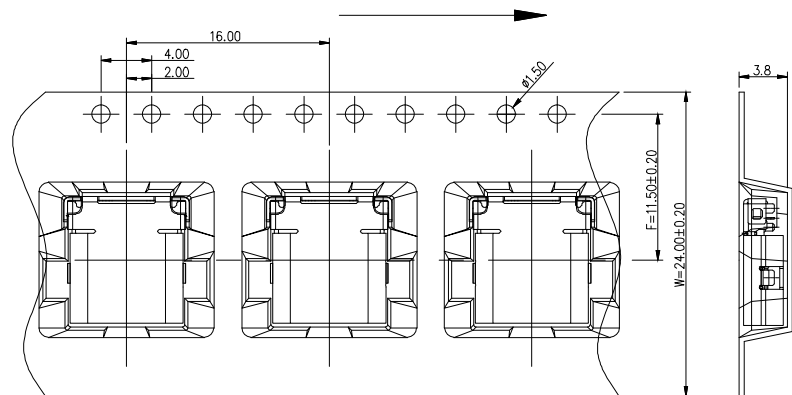


3. QUANTITY: 10000PCS/CARTON

B

C

D



E

F

G

RoHS compliant
Unit: mm

Scale Free

TOLERANCE

X.X ±0.30

X.XX ±0.20

X.XXX ±0.10

DIM TOL

X° ±2°

Drawn	18.03.2022	Luca
Id.	Modification	Date Name

Date	Name
18.03.2022	Luca
18.03.2022	Luca

Description: USB Connector	
USB3.2 GEN1 TYPE C / FEMALE / 90°	
ASSMANN WSW-No. A-USBC-32F1-EA-GRR07	
Drawing-No.	ASS 9327 CO rev00
Customer-No.	Sheet 3/3

H

1

2

3

4

5

6

7