

A

B

C

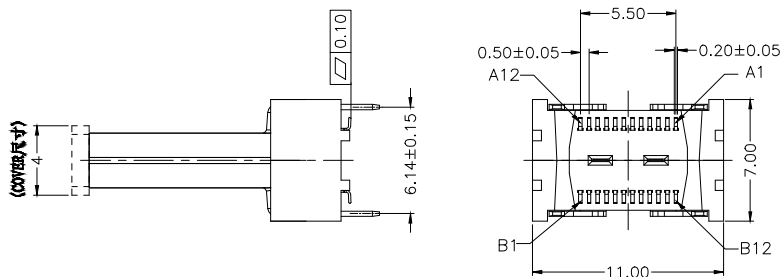
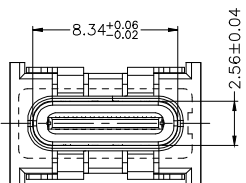
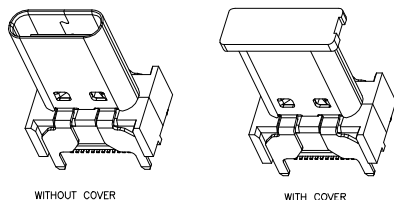
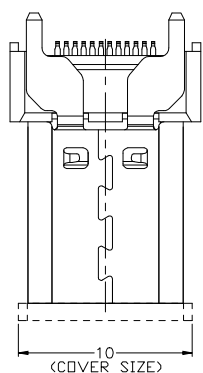
D

E

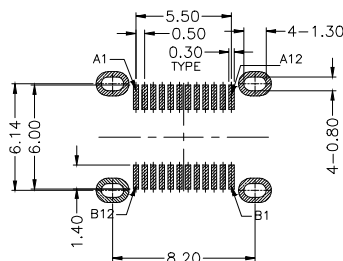
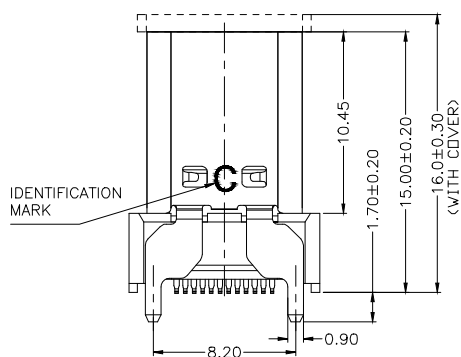
F

NOTES:

- ELECTRICAL CHARACTERISTICS:  
 WITHSTANDING VOLTAGE: 100V AC R.M.S.  
 CONTACT RESISTANCE: 40mΩ MAX.  
 INSULATION RESISTANCE: 100MΩ MIN.
- MECHANICAL CHARACTERISTICS:  
 INSERTION FORCE: 5~20N  
 EXTRACTION FORCE: 8~20N AFTER TEST  
 DURABILITY: 10000 CYCLES



	Signal Name		Signal Name
A1	GND	B12	GND
A2	SSTXp1	B11	SSRXp1
A3	SSTXn1	B10	SSRXn1
A4	VBUS	B9	VBUS
A5	CC1	B8	SBU2
A6	Dp1	B7	Dn2
A7	Dn1	B6	Dp2
A8	SBU1	B5	CC2
A9	VBUS	B4	VBUS
A10	SSRXn2	B3	SSTXn2
A11	SSRXp2	B2	SSTXp2
A12	GND	B1	GND



RECOMMEND P.C.B LAYOUT (COMPONENT SIDE)  
 TOLERANCE FOR PCB LAYOUT IS ± 0.05  
 KEEP OUT AREA

Item	Title	Material	Dispose	Q'TY
1	Shell	SUS304	Ni:30u" Min.	1PCS
2	GND Plate	SUS301		2PCS
3	Mid Plate	SUS301		1PCS
4	Contact	C7025	Mating Area: G/F Solder Tails: Matt Tin	2PCS
5	InsertMolding	LCP E6808	UL 94V-0 Black	1PCS
6	COVER	LCP E6808	UL 94V-0 Black	1PCS

**RoHS compliant**  
 Unit: mm

Scale	Free	Date	Name
TOLERANCE		Drawn	08.06.2022 Luca
X.X	±0.30	Approved	08.06.2022 Luca
X.XX	±0.20		
X.XXX	±0.10		
DIM	TOL		
X°	±2°		
①	Drawn	08.06.2022	Luca
Id.	Modification	Date	Name



Description: USB Connector	
USB3.2 GEN1 TYPE C / FEMALE / 24pin / Vertical	
ASSMANN WSW-No. <b>A-USBC-32F1-EG-KSR06</b>	
Drawing-No.	rev00
ASS 9319 CO	
Customer-No.	Sheet 1/2

1

2

3

4

5

6

7

A

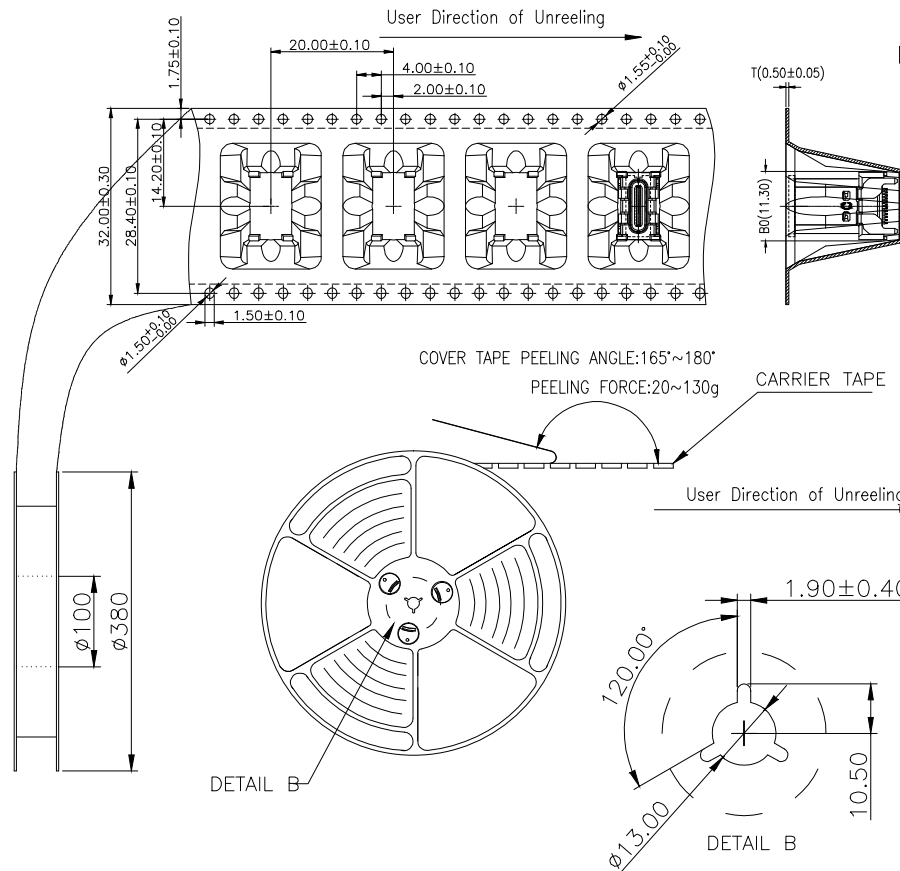
B

C

D

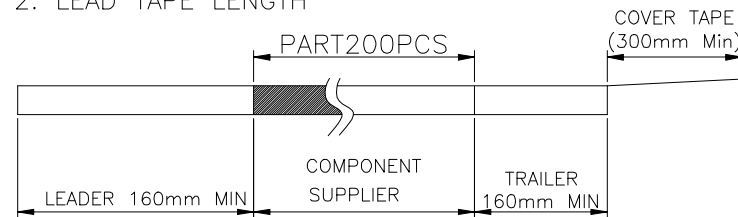
E

F

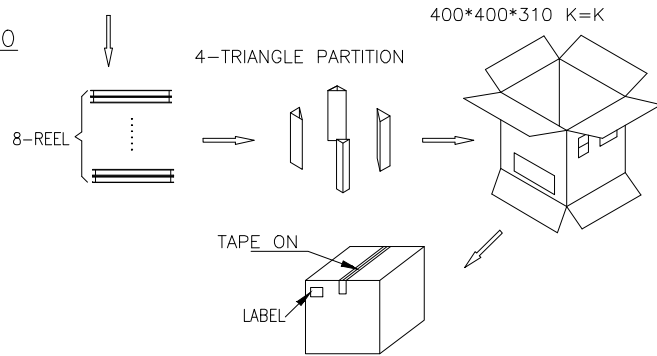


NOTES

- 1. NUMBER OF CONNECTORS: 200PCS/REEL
- 2. LEAD TAPE LENGTH



- 3. QUANTITY: 1600PCS/CARTON



**RoHS compliant**  
Unit: mm

Scale	Free
TOLERANCE	
X.X	±0.30
X.XX	±0.20
X.XXX	±0.10
DIM	TOL
X°	±2°

Drawn	08.06.2022	Luca	
Approved	08.06.2022	Luca	
Id.	Modification	Date	Name

Description: USB Connector	
USB3.2 GEN1 TYPE C / FEMALE / 24pin / Vertical	
ASSMANN WSW-No. A-USBC-32F1-EG-KSR06	
Drawing-No.	ASS 9319 CO
Customer-No.	rev00
	Sheet 2/2

1

2

3

4

5

6

7