

1

2

3

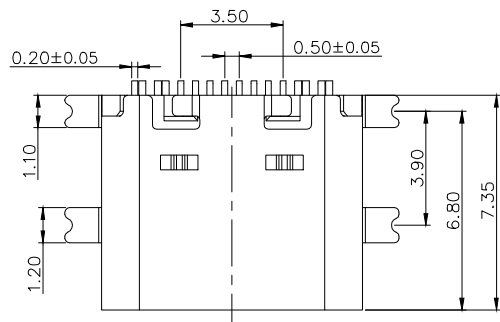
4

5

6

7

A

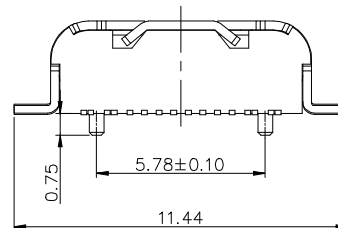
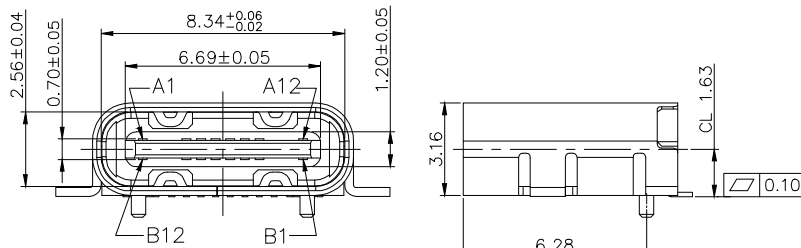


A1	GND	B12	GND
A4	VBUS	B9	VBUS
A5	CC1	B8	SBU2
A6	DP1	B7	DN2
A7	DN1	B6	DP2
A8	SBU1	B5	CC2
A9	VBUS	B4	VBUS
A12	GND	B1	GND
PIN	SIGNAL NAME	PIN	SIGNAL NAME

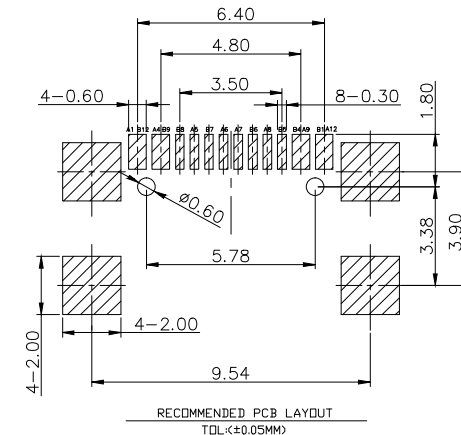
NOTES:  
 1. MATERIAL  
 1-1 HOUSING: LCP UL94V-0 BLACK  
 1-2 CONTACTS: COPPER ALLOY G/F PLATED  
 1-3 SHELL: STAINLESS STEEL NI-PLATED  
 2. FEATURE  
 2-1 VOLTAGE RATING: 20V AC  
 2-2 CURRENT RATING: 3A  
 2-3 OPERATING TEMPERATURE: -40°C ~ +85°C  
 2-4 CONTACT RESISTANCE: 40mΩ max(initial); 50mΩ max(final)  
 2-5 WITHSTANDING VOLTAGE: 100V AC FOR 1 minute  
 2-6 INSULATION RESISTANCE: 100MΩ MIN @ DC 500V  
 2-7 MATING FORCE: 5~20N  
 2-8 UNMATING FORCE: 8~20N BEFORE 1000 Cycles;  
 6~20N AFTER 1000 Cycles.  
 2-9 DURABILITY: 10000 Cycles

B

C

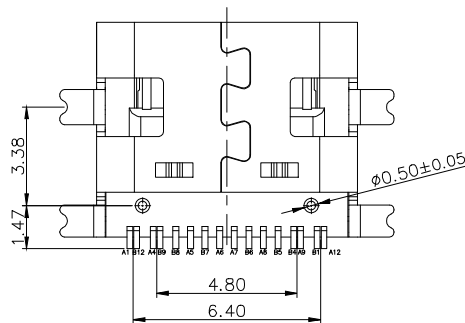


D



E

F



G

**RoHS compliant**  
 Unit: mm

Scale	Free						Date	Name	Description: USB Connector
TOLERANCE						Drawn	08.06.2022	Luca	USB2.0 TYPE C / FEMALE / 16pin / SMT
X.X	±0.30					Approved	08.06.2022	Luca	ASSMANN WSW-No.
X.XX	±0.20								A-USBC-20F0-EA-GSR15
X.XXX	±0.10								Drawing-No.
DIM	TOL								ASS 9314 CO
X°	±2°								rev00
		①	Drawn		08.06.2022	Luca			
		Id.	Modification		Date	Name			

H

1

2

3

4

5

6

7

1

2

3

4

5

6

7

A

B

C

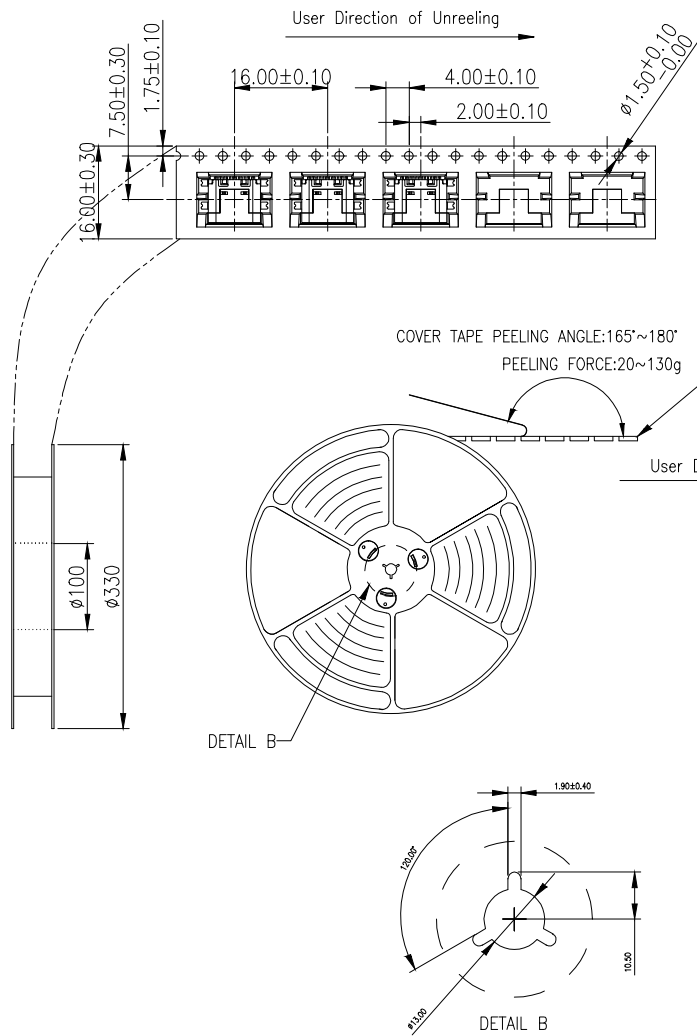
D

E

F

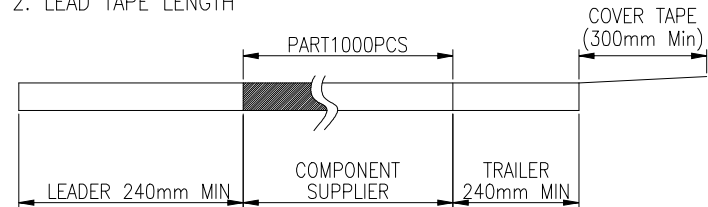
G

H

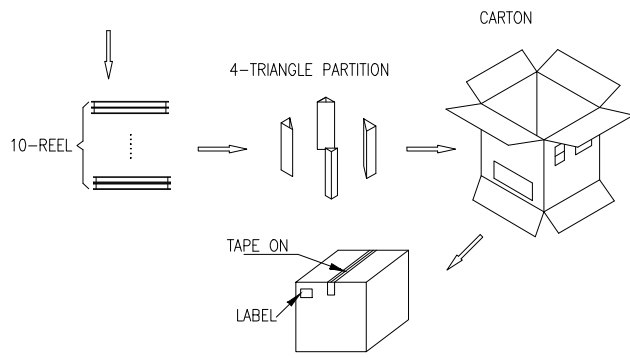


NOTES

- 1. NUMBER OF CONNECTORS:1000PCS/REEL
- 2. LEAD TAPE LENGTH



3. QUANTITY: 10000PCS/CARTON



**RoHS compliant**  
Unit: mm

Scale	Free						Date	Name	Description: USB Connector USB2.0 TYPE C / FEMALE / 16pin / SMT
TOLERANCE						Drawn	08.06.2022	Luca	
X.X	±0.30					Approved	08.06.2022	Luca	ASSMANN WSW-No. <b>A-USBC-20F0-EA-GSR15</b>
X.XX	±0.20								
X.XXX	±0.10								Drawing-No. <b>ASS 9314 CO</b>
DIM	TOL								
X°	±2°								rev00
①	Drawn		08.06.2022	Luca					
Id.	Modification		Date	Name					Customer-No.

1

2

3

4

5

6

7