

1

2

3

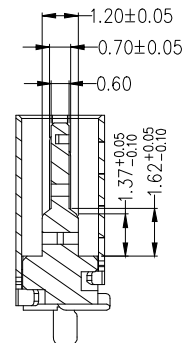
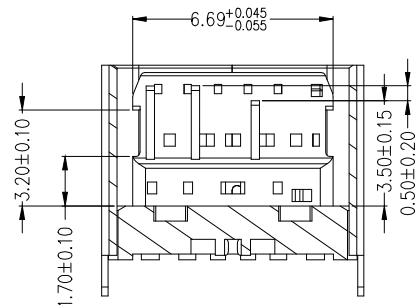
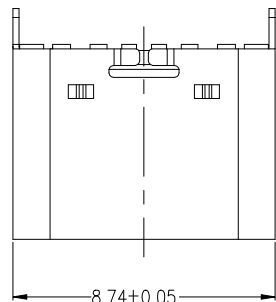
4

5

6

7

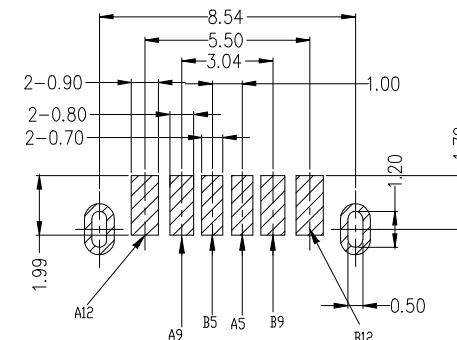
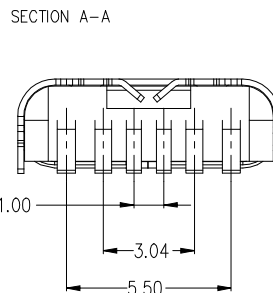
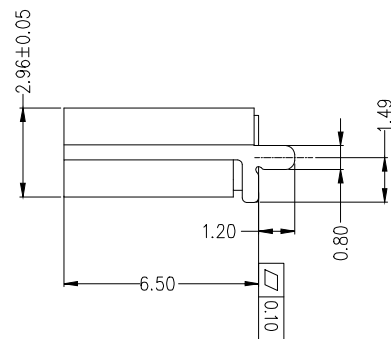
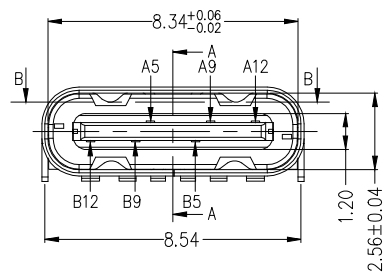
A



- NOTES:
SPECIFICATION:
1. CURRENT RATING: 3.0A MAX
 2. DIELECTRIC WITHSTANDING VOLTAGE: 100 VAC
 3. TEMPERATURE RANGE: -30 °C ~ 85 °C
 4. CONTACT RESISTANCE: 40 MILLIONHM MAX
 5. INSULATION RESISTANCE: 100 MEGOHMS MIN.
 6. LNSERTION FORCE : 5N~20N
 7. UNMATING FORCE: 8N~20N
 8. DURABILITY: 10000 CYCLES

B

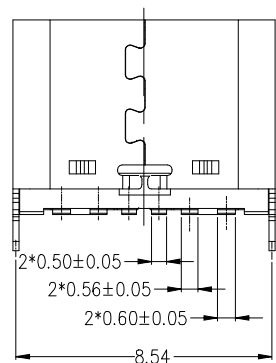
C



RECOMMENDED P.C.B. LAYOUT
TOLERANCE UNSPECIFIED ±0.05mm

D

E



5	COVER	HIGH TEMPERATURE PLASTIC	BLACK	1PCS
4	SHIELDING PLATE	STAINLESS STEEL	NO Plated	1PCS
3	SHELL	STAINLESS STEEL	Ni: 30u [•] Plated	1PCS
2	CONTACT	COPPER ALLOY	Au1u [•] /Ni: 30u [•] Plated	1SET
1	HOUSING	HIGH TEMPERATURE PLASTIC	BLACK	1PCS
NO.	DESCRIPTION	MATERIAL	REMARKS	QTY

F

G

RoHS compliant
Unit: mm

Scale	Free
TOLERANCE	
X.X	±0.38
X.XX	±0.25
X.XXX	±0.15
DIM	TOL
X°	±2°
①	Drawn
Id.	Modification

Date	Name	Description: USB Connector
18.03.2022	Luca	USB TYPE C / FEMALE / 6PIN / CHARGE ONLY
Approved	18.03.2022	Luca
ASSMANN WSW-No.		A-USB-C-UCFP-EG-GSR02
Drawing-No.		ASS 9305 CO
Customer-No.		rev00
①	Drawn	18.03.2022
Id.	Modification	Date
		Name



H

1

2

3

4

5

6

7

1

2

3

4

5

6

7

A

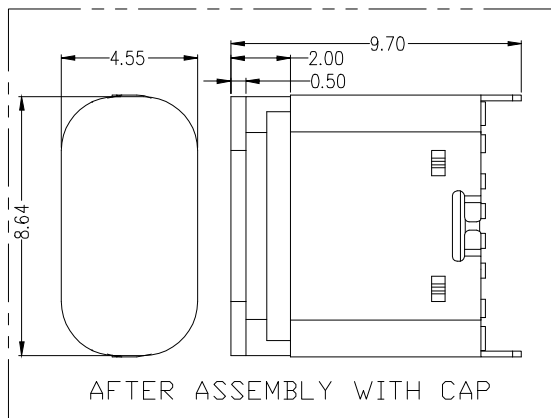
B

C

D

E

F



A5	CC1	B12	GND
A9	VBUS	B9	VBUS
A12	GND	B5	CC2
PIN	SIGNAL NAME	PIN	SIGNAL NAME

RoHS compliant
Unit: mm

Scale Free

TOLERANCE

X.X ±0.38

X.XX ±0.25

X.XXX ±0.15

DIM TOL

X° ±2°

ⓐ

Drawn

18.03.2022

Luca

Id.

Modification

Date

Name

ASSMANN
WSW components

Date

Name

Description: USB Connector

USB TYPE C / FEMALE / 6PIN / CHARGE ONLY

ASSMANN WSW-No.

A-USBC-UCFP-EG-GSR02

Drawing-No.

ASS 9305 CO

rev00

Customer-No.

Sheet
2/3

1

2

3

4

5

6

7

1

2

3

4

5

6

7

A

B

C

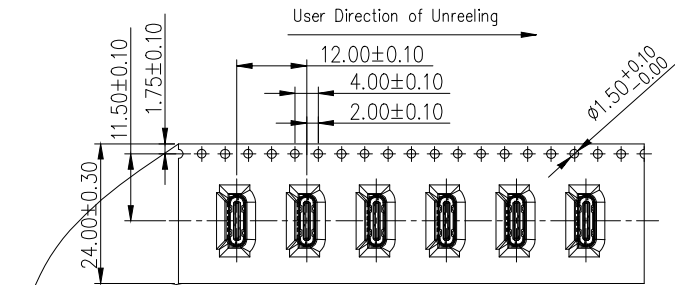
D

E

F

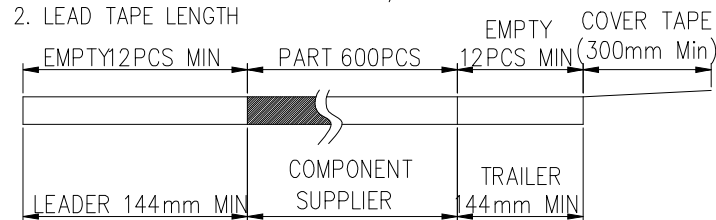
G

H



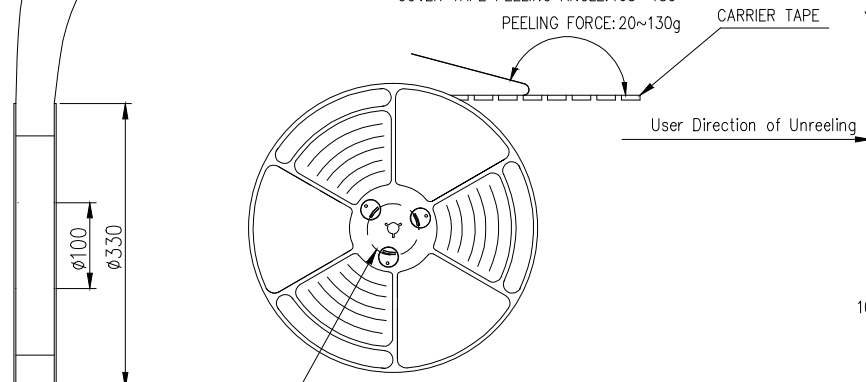
NOTES

- 1. NUMBER OF CONNECTORS: 600PCS/REEL
- 2. LEAD TAPE LENGTH

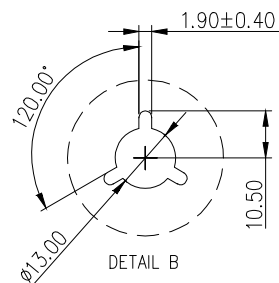


- 3. QUANTITY: 6000PCS/CARTON

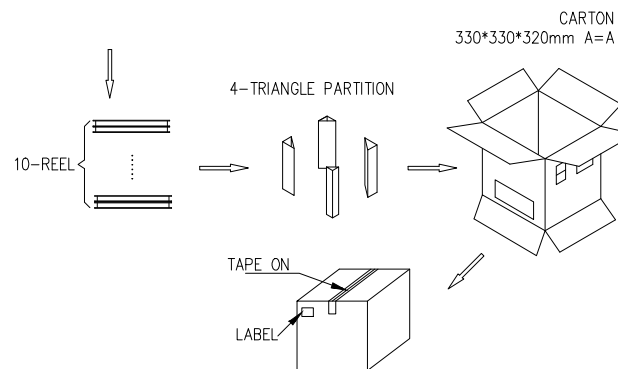
COVER TAPE PEELING ANGLE: 165°~180°
PEELING FORCE: 20~130g



DETAIL B



DETAIL B



RoHS compliant
Unit: mm

Scale	Free					Date	Name	Description: USB Connector
TOLERANCE						Drawn	18.03.2022	Luca
X.X	±0.38					Approved	18.03.2022	Luca
X.XX	±0.25							ASSMANN WSW-No.
X.XXX	±0.15							A-USBC-UCFP-EG-GSR02
DIM	TOL							Drawing-No.
X°	±2°							ASS 9305 CO
		①	Drawn	18.03.2022	Luca			Customer-No.
		Id.	Modification	Date	Name			Sheet 3/3

1

2

3

4

5

6

7