

1

2

3

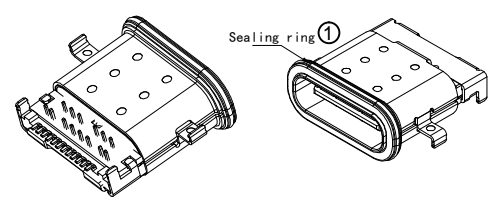
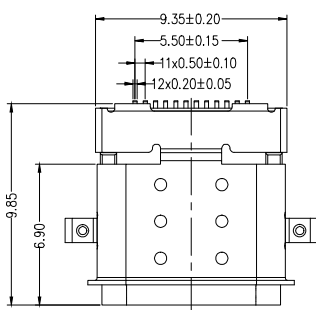
4

5

6

7

A

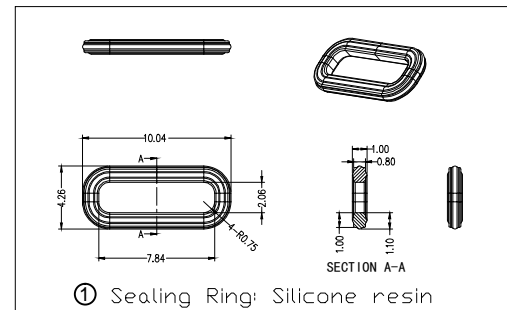
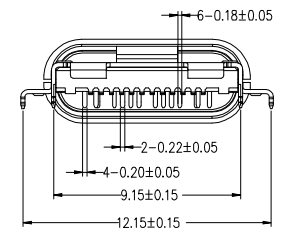
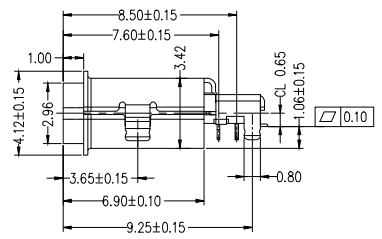
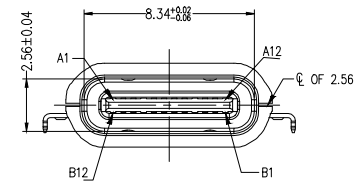


VIEW AFTER MATED SEALING RING

SPECIFICATION:
 1.ELECTRICAL:
 1-1:CURRENT RATING:
 VBUS AND GND CONTACTS RATED AT 1.25A;
 PARALLELED FOR A TOTAL OF 5A.
 1-2:INITIAL CONTACT RESISTANCE: 40 MEGOHMS
 1-3:DIELECTRIC WITHSTANDING VOLTAGE: 100V AC MIN.
 2:MECHANICAL CHARACTERISTICS:
 2-1:MATING FORCE: 5-20N
 2-2:UNMATING FORCE: 8-20N(INITIAL);
 6-20N(AFTER 10000 CYCLES)
 2-3:FREQUENCY: 200±50 CYCLES /HOUR, 10000 CYCLES.
 2-4:OPERATING TEMPERATURE: -40°C ~ +80°C
 3.PROTECTION LEVEL: IP65/IP67

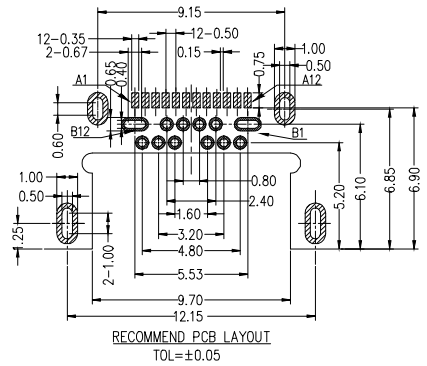
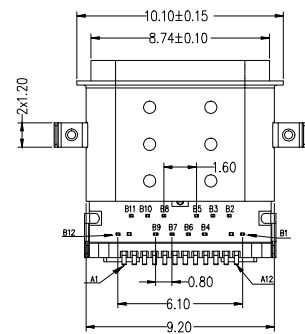
B

C

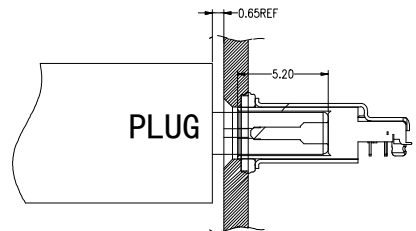


① Sealing Ring: Silicone resin

D



RECOMMEND PCB LAYOUT TOL=±0.05



① VIEW AFTER MATED PLUG

E

F

A1	GND	B12	GND
A2	SSTXP1	B11	SSRX1
A3	SSTXN1	B10	SSRXN1
A4	VBUS	B9	VBUS
A5	CC1	B8	SBU2
A6	DP1	B7	DN2
A7	DN1	B6	DP2
A8	SBU1	B5	CC2
A9	VBUS	B4	VBUS
A10	SSRXN2	B3	SSTXN2
A11	SSRX1P2	B2	SSTX1P2
A12	GND	B1	GND
PIN	SIGNAL NAMF	PIN	SIGNAL NAMF

④	MID-PLANT	STAINLESS STEEL	---	1PCS
⑤	GND-PLANT	STAINLESS STEEL	Ni/SN Plated	1PCS
④	SHELL	STAINLESS STEEL	---	1PCS
③	INNER SHELL	STAINLESS STEEL	Ni Plated	1PCS
②	CONTACT	COPPER ALLOY	Au/Motte Tin/Ni Plated	2SET
①	HOUSING	HIGH TEMPERATURE PLASTIC	BLACK	1PCS
NO.	DESCRIPTION	MATERIAL	FINISH PLANTED	QTY

RoHS compliant Unit: mm

Scale	Free					Date	Name	Description: USB Connector
TOLERANCE					Drawn	18.03.2022	Luca	USB3.2 GEN1 TYPE C / FEMALE / IP67&IP65
X.X	±0.30				Approved	10.11.2023	Luca	ASSMANN WSW-No. A-USBC-32F1-EA-KRR06
X.XX	±0.20							Drawing-No.
X.XXX	±0.10							ASS 9304 CO rev01
DIM	TOL	①	Update	10.11.2022	Luca			
X°	±2°	②	Drawn	18.03.2022	Luca			
		Id.	Modification	Date	Name			

Description: USB Connector
USB3.2 GEN1 TYPE C / FEMALE / IP67&IP65
ASSMANN WSW-No. A-USBC-32F1-EA-KRR06
Drawing-No.
ASS 9304 CO rev01
Customer-No.
Sheet 1/2

1

2

3

4

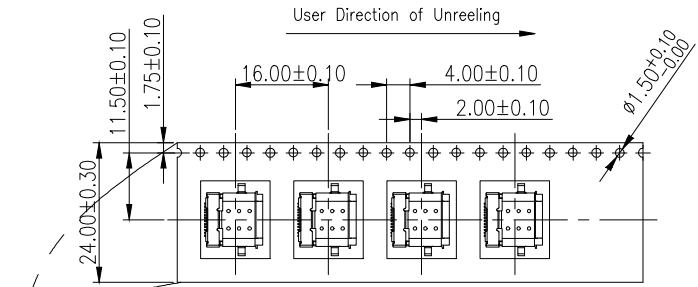
5

6

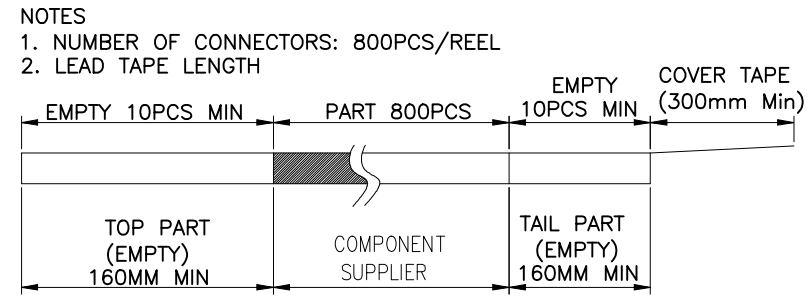
7

1 2 3 4 5 6 7

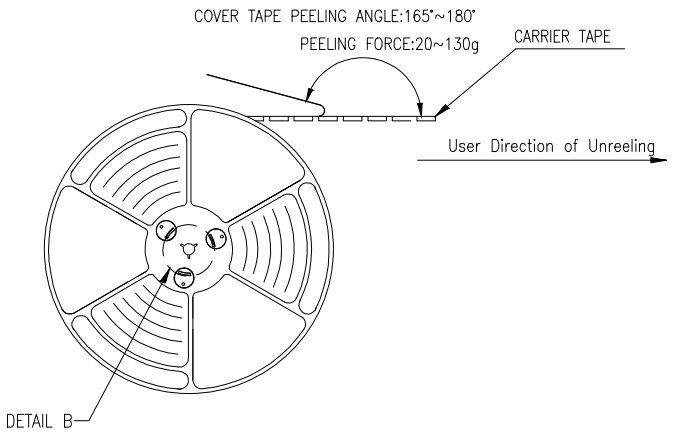
A



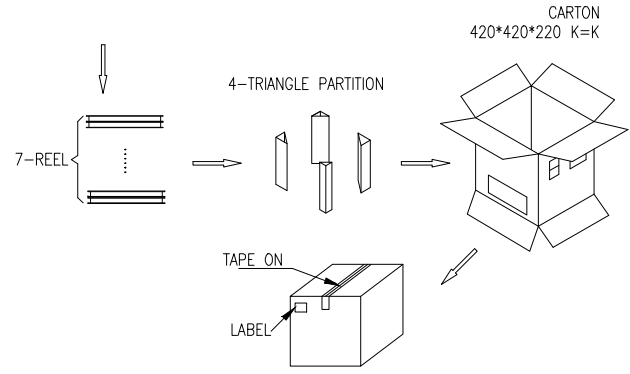
B



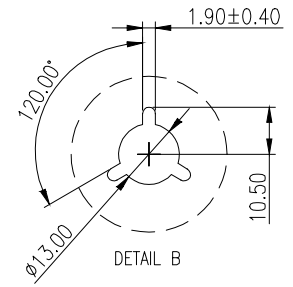
C



D



E



F

RoHS compliant
Unit: mm

Scale	Free						Date	Name	Description: USB Connector USB3.2 GEN1 TYPE C / FEMALE / IP67&IP65	
TOLERANCE						Drawn	18.03.2022	Luca		
X.X	±0.30					Approved	10.11.2023	Luca	ASSMANN WSW-No. A-USBC-32F1-EA-KRR06	
X.XX	±0.20									
X.XXX	±0.10								Drawing-No. ASS 9304 CO	
DIM	TOL	①	Update	10.11.2022	Luca	 A company of BCS				rev01
X°	±2°	②	Drawn	18.03.2022	Luca					
		Id.	Modification	Date	Name				Customer-No.	Sheet 2/2

1 2 3 4 5 6 7