

1

2

3

4

5

6

7

A

B

C

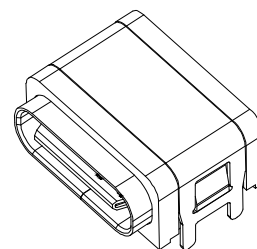
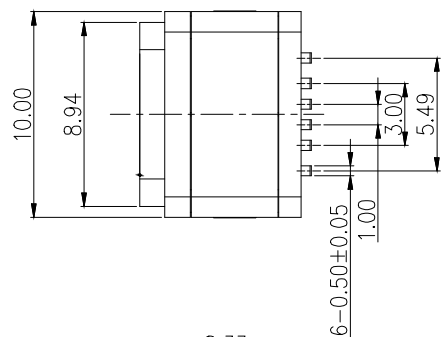
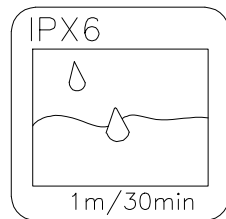
D

E

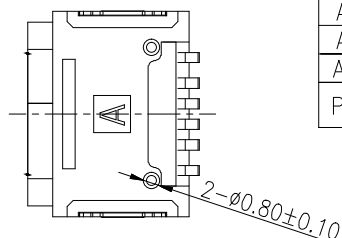
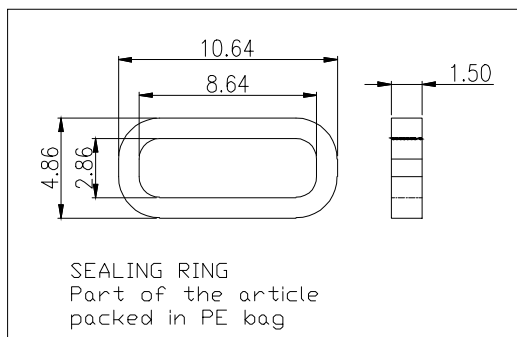
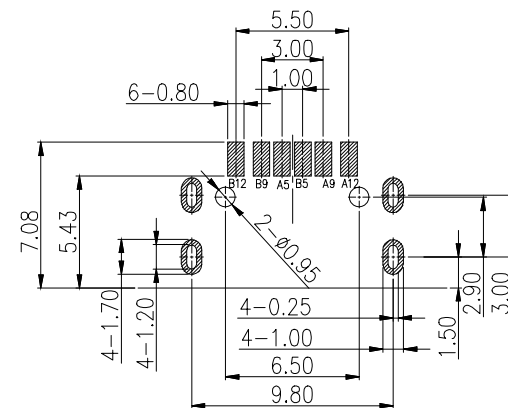
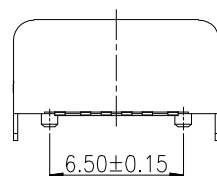
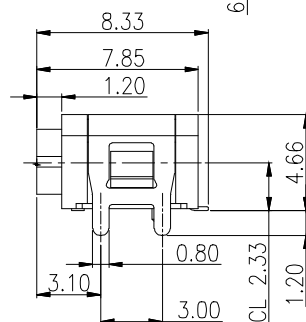
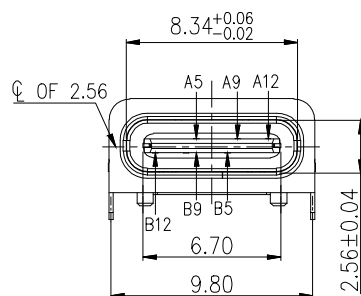
F

G

H



- SPECIFICATIONS:
- ELECTRICAL CHARACTERISTICS:
 - RATING: 3A;
 - CONTACT RESISTANCE: 30 mΩ MAX.(INITIAL);
 - DIELECTRIC WITHSTANDING: 100V AC MIN.;
 - INSULATION RESISTANCE: 100MΩ MIN.;
 - DURABILITY: 10,000 CYCLES MIN.;
 - INSERTION FORCE: 5-20N;
 - EXTRACTION FORCE: 6-20N;
 - WATER PROOFNESS: THIS PRODUCT IS BASED ON IPX7.
 - PLUG INTERFACE DIMENSIONS COMFORM TO USB2.0 SPEC.
 - PACKAGING: TAPE & REEL.



A5	CC1	B12	GND
A9	VBUS	B9	VBUS
A12	GND	B5	CC2
PIN	SIGNAL NAME	PIN	SIGNAL NAME

ITEM	PART NAME	Q'TY	FINISH	NOTE
3	Shell	1	SUS304R-1/2H Ni Plating T=0.25mm	
2	Contact	6	Phosphor bronze C5191R-EH Au/Ni Plating T=0.20mm	
1	Housing	1	PA10T (G.F30%) BLACK	

RoHS compliant
Unit: mm

Scale	Free
TOLERANCE	
X.X	±0.30
X.XX	±0.20
X.XXX	±0.10
DIM	TOL
X°	±2°

Id.	Modification	Date	Name
①	Update	21.09.2022	Luca
②	Drawn	08.06.2022	Luca



Description: USB Connector	
TYPE C / FEMALE / 6pin / Charge Only / IPX6	
ASSMANN WSW-No. A-USBC-UCFP-EA-GSR02	
Drawing-No.	ASS 9302 CO
Customer-No.	rev01
Sheet	1/2

1

2

3

4

5

6

7

SV5151

1 2 3 4 5 6 7

A B C D E F

NOTES
 1. NUMBER OF CONNECTORS: 700PCS/REEL
 2. LEAD TAPE LENGTH

3. QUANTITY: 7000PCS/CARTON

RoHS compliant
Unit: mm

Scale	Free						Date	Name	Description: USB Connector
TOLERANCE						Drawn	08.06.2022	Luca	TYPE C / FEMALE / 6pin / Charge Only / IPX6
X.X	±0.30					Approved	21.09.2022	Luca	ASSMANN WSW-No.
X.XX	±0.20								A-USBC-UCFP-EA-GSR02
X.XXX	±0.10								Drawing-No.
DIM	TOL	①	Update	21.09.2022	Luca			ASS 9302 CO rev01	
X°	±2°	②	Drawn	08.06.2022	Luca			Customer-No.	Sheet 2/2
		Id.	Modification	Date	Name				

1 2 3 4 5 6 7

SV5151