

1

2

3

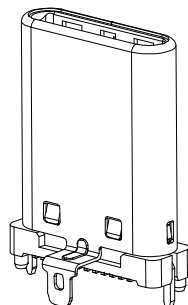
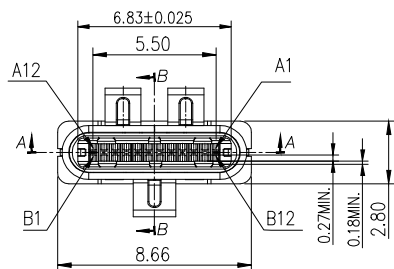
4

5

6

7

A



## NOTE:

## 1.MATERIAL SPECIFICATION:

- 1.HOUSING&PICKUP COVER: LCP,UL94 V-0.
- 2.CONTACTS: COPPER ALLOY(C7025)
- 3.LATCH: STAINLESS STEEL(SUS301)
- 4.SPRING: STAINLESS STEEL(SUS304)
- 5.FRONT SHELL: STAINLESS STEEL(SUS304)

## 2.PLATING SPECIFICATION:

- 2-1.CONTACTS:  
Ni 30u" MIN. UNDER PLATED OVER ALL.  
Au1u" PLATED ON CONTACT AREA.  
80u" TIN PLATED ON SOLDER AREA
- 2-2.FRONT SHELL:  
Ni 30u" MIN. UNDER PLATED OVER ALL.
- 2-3.LATCH:  
Ni 30u" MIN. UNDER PLATED OVER ALL.  
80u" MIN. TIN PLATED ON SOLDER AREA.

## 2-4.FRONT SHELL:

CLEAR ONLY

## 3.MECHANICAL PERFORMANCE,

- 3-1.INSERTION FORCE: 0.5~2.0kgf.
- 3-2.REMOVAL FORCE: 0.8kgf~2.0kgf.
- 3-3.DURABILITY: 10000 CYCLES.

## 4.ELECTRICAL PERFORMANCE,

- 4-1. CURRENT RATING: 3.0A  
VOLTAGE RATING: 5.0V
- 4-2. LLCR:  
VBUS & GND PINS AND OTHER PINS: 40mΩ/PIN MAX.  
SHIELD: 50mΩ/MAX.  
LLCR MAX. CHANGE OF ALL PINS: 10mΩ
- 4-3.INSULATION RESISTANCE: 100MΩ MIN
- 4-4.DIELECTRIC WITHSTAND VOLTAGE,AC 100V FOR 1 MINUTE.

## 5. ENVIRONMENTAL PERFORMANCE:

OPERATING TEMPERATURE: -25°C~+85°C.

## 6.IR REFLOW:

THE PEAK TEMPERATURE ON THE BOARD SHALL BE MAINTAINED FOR 10 SECONDS AT 260°C.

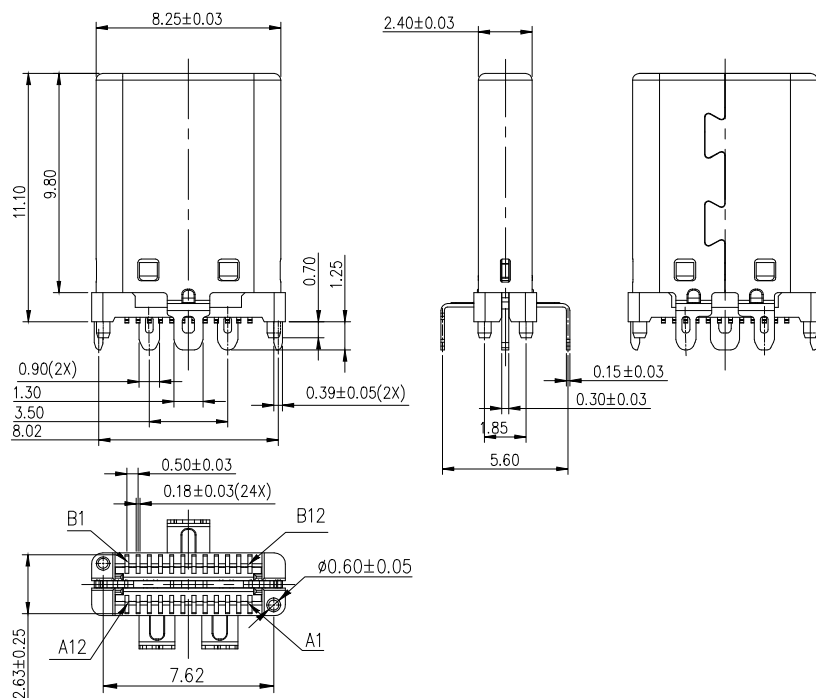
B

C

D

E

F



G

**RoHS compliant**  
Unit: mm

Scale Free

TOLERANCE

X.X ±0.30

X.XX ±0.20

X.XXX ±0.10

DIM TOL

X° ±2°

①

Drawn

18.03.2022

Luca

Id.

Modification

Date

Name

Date

Name

Description: USB Connector

USB3.2 GEN1 TYPE C / MALE / Vertical Type

ASSMANN WSW-No.

A-USBC-32M1-EG-GSR02

Drawing-No.

ASS 9299 CO

rev00

Customer-No.

Sheet  
1/3

**ASSMANN**  
WSW components

1

2

3

4

5

6

7

SV5151

1 2 3 4 5 6 7

A B C D E F G H

USB TYPE-C PIN ASSIGNMENTS

PIN NUMBER	SIGNAL NAME	PIN NUMBER	SIGNAL NAME
A1	GND	B12	GND
A2	SSTXp1	B11	SSRXp1
A3	SSTXn1	B10	SSRXn1
A4	Vbus	B9	Vbus
A5	CC1	B8	SBU2
A6	Dp1	B7	Dn2
A7	Dn1	B6	Dp2
A8	SBU1	B5	CC2
A9	Vbus	B4	Vbus
A10	SSRXn2	B3	SSTXn2
A11	SSRXp2	B2	SSTXp2
A12	GND	B1	GND

RECOMMENDED PCB LAYOUT (TOP VIEW)  
THICKNESS 0.8±0.10MM; DEFAULT TOLERANCE: ±0.05

**RoHS compliant**  
Unit: mm

Scale	Free
TOLERANCE	
X.X	±0.38
X.XX	±0.25
X.XXX	±0.15
DIM	TOL
X°	±2°

G	Drawn	18.03.2022	Luca	Date	Name	Description: USB Connector USB3.2 GEN1 TYPE C / MALE / Vertical Type
	Approved	18.03.2022	Luca			
H	①	Drawn	18.03.2022	Luca		Drawing-No. ASS 9299 CO rev00
	Id.	Modification	Date	Name		Customer-No.

1 2 3 4 5 6 7

SV5151

1 2 3 4 5 6 7

A B C D E F

NOTES  
 1. NUMBER OF CONNECTORS:400PCS/REEL  
 2. LEAD TAPE LENGTH

3. QUANTITY: 4000PCS/CARTON

**RoHS compliant**  
Unit: mm

Scale	Free						Date	Name	Description: USB Connector USB3.2 GEN1 TYPE C / MALE / Vertical Type
TOLERANCE						Drawn	18.03.2022	Luca	
X.X	±0.38					Approved	18.03.2022	Luca	ASSMANN WSW-No. A-USBC-32M1-EG-GSR02
X.XX	±0.25								
X.XXX	±0.15								Drawing-No. ASS 9299 CO rev00
DIM	TOL								
X°	±2°								Customer-No. Sheet 3/3
①	Drawn		18.03.2022	Luca					
Id.	Modification		Date	Name					

1 2 3 4 5 6 7

SV5151