

1

2

3

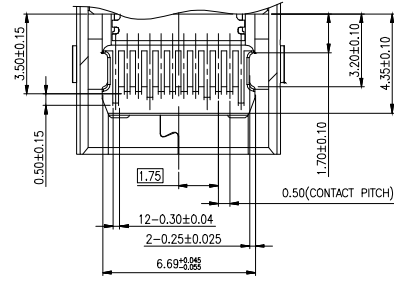
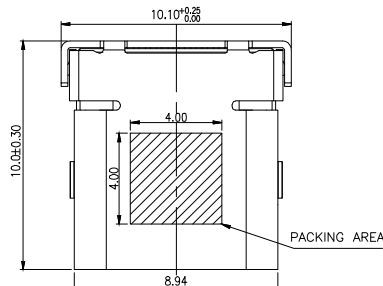
4

5

6

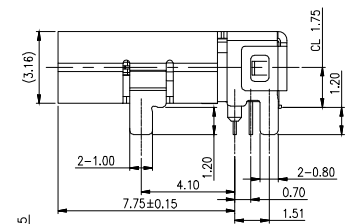
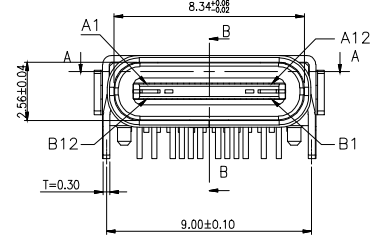
7

A

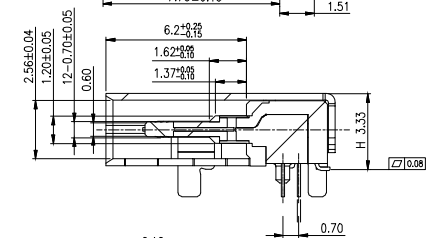


B

C

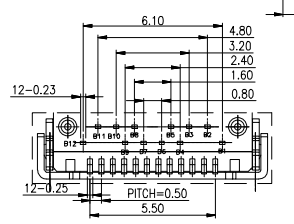
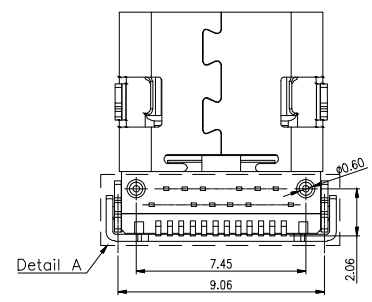


D



E

F



Detail A

NOTES: 1.MATERIAL:
 MOLDING: LCP UL94 V-0
 CONTACT: COPPER ALLOY.
 Au1u" PLATED ON CONTACT AREA,
 G/F PLATED ON SOLDER AREA,
 30u" NICKEL PLATING OVER ALL.
 SHELL: SUS304-H,T=0.30±0.03mm
 50u" NICKEL PLATING OVER ALL.
 EMI SHILD: SUS304-H,T=0.12±0.03mm
 LATCH: SUS301-H,T=0.15±0.03mm

2.MECHANICAL:
 INSERTION: 5~20N.
 EXTRACTION: 8~20N.
 DURABILITY: 10000 CYCLES

3.ELECTRICAL:
 CURRENT: 5A MIN FOR VBUS;
 0.25A MIN FOR OTHER.
 VOLTAGE: 5VAC MAX
 WITHSTANDING VOLTAGE: 100V AC.
 CONTACT RESISTANCE: 40mΩ MAX.
 INSULATION RESISTANCE: 100MΩ MIN.

4.ENVIRONMENTAL
 TEMPERATURE RANGE: -30°C TO +80°C

G

H

RoHS compliant
 Unit: mm

Scale	Free						Date	Name	Description: USB Connector	
TOLERANCE							Drawn	18.03.2022	Luca	USB3.2 GEN1 TYPE C / FEMALE / 90°
X.X	±0.38						Approved	18.03.2022	Luca	ASSMANN WSW-No.
X.XX	±0.25									A-USBC-32F1-EA-GRR05
X.XXX	±0.15									Drawing-No.
DIM	TOL									ASS 9297 CO
X°	±2°									rev00
		①	Drawn	18.03.2022	Luca					Customer-No.
		Id.	Modification	Date	Name					Sheet 1/3

1

2

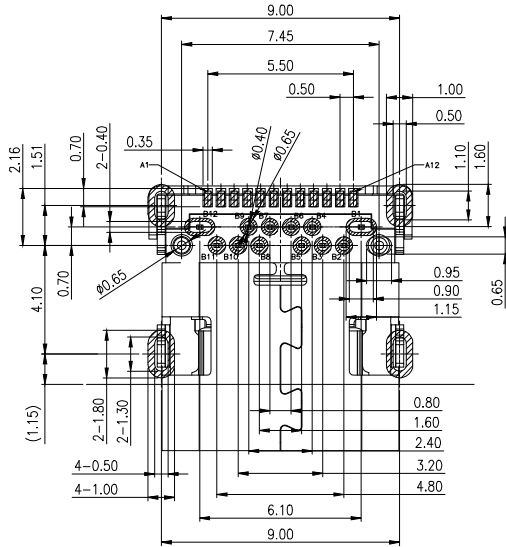
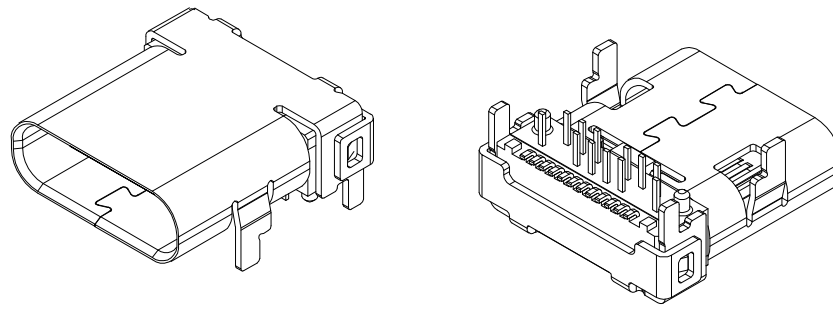
3

4

5

6

7



RECOMMEND P.C.B LAYOUT (COMPONENT SIDE)
TOLERANCE FOR PCB LAYOUT IS ± 0.05

USB TYPE-C FULL-FEATURED RECEPTACLE INTERFACE PIN ASSIGNMENTS

PIN	Signal Name	Description	PIN	Signal Name	Description
A1	GND	Ground return	B12	GND	Ground return
A2	SSTXp1	Positive half of first SuperSpeed TX differential pair	B11	SSRXp1	Positive half of first SuperSpeed RX differential pair
A3	SSTXn1	Negative half of first SuperSpeed TX differential pair	B10	SSRXn1	Negative half of first SuperSpeed RX differential pair
A4	VBUS	Bus Power	B9	VBUS	Bus Power
A5	CC1	Configuration Channel	B8	SBU2	Sideband Use (SBU)
A6	Dp1	Positive half of the USB 2.0 differential pair-Position 1	B7	Dn2	Negative half of the USB 2.0 differential pair-Position 2
A7	Dn1	Negative half of the USB 2.0 differential pair-Position 1	B6	Dp2	Positive half of the USB 2.0 differential pair-Position 2
A8	SBU1	Sideband Use(SBU)	B5	CC2	Configuraation Channel
A9	VBUS	Bus Power	B4	VBUS	Bus Power
A10	SSRXn2	Negative half of second SuperSpeed RX differential pair	B3	SSTXn2	Negative half of second SuperSpeed TX differential pair
A11	SSRXp2	Positive half of second SuperSpeed RX differential pair	B2	SSTXp2	Positive half of second SuperSpeed TX differential pair
A12	GND	Ground return	B1	GND	Ground return

RoHS compliant
Unit: mm

Scale Free

TOLERANCE

X.X ±0.38

X.XX ±0.25

X.XXX ±0.15

DIM TOL

X° ±2°

① Drawn 18.03.2022 Luca

Id. Modification Date Name



Description: USB Connector
USB3.2 GEN1 TYPE C / FEMALE / 90°

ASSMANN WSW-No.
A-USBC-32F1-EA-GRR05

Drawing-No.
ASS 9297 CO rev00

Customer-No. Sheet 2/3

1

2

3

4

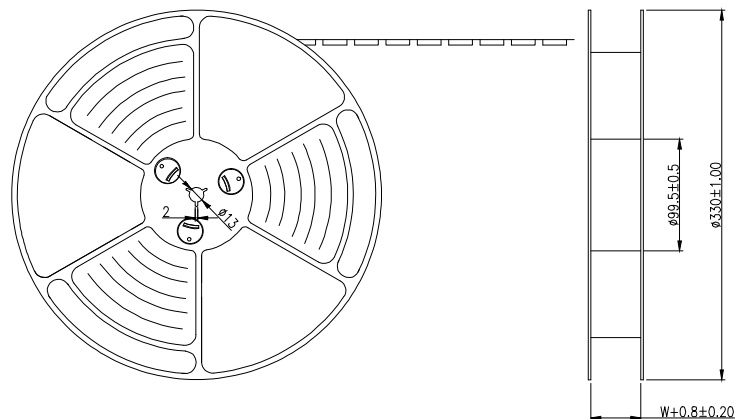
5

6

7

A

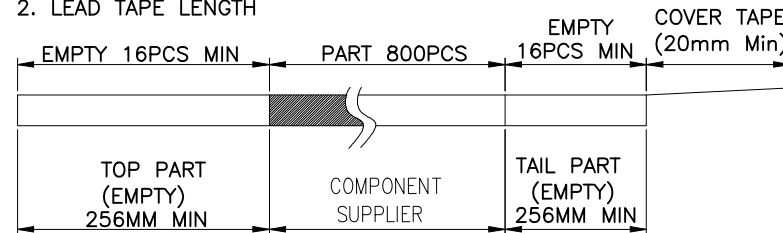
PULL OUT DIRECTION



NOTES

1. NUMBER OF CONNECTORS: 800PCS/REEL

2. LEAD TAPE LENGTH



3. QUANTITY: 8000PCS/CARTON

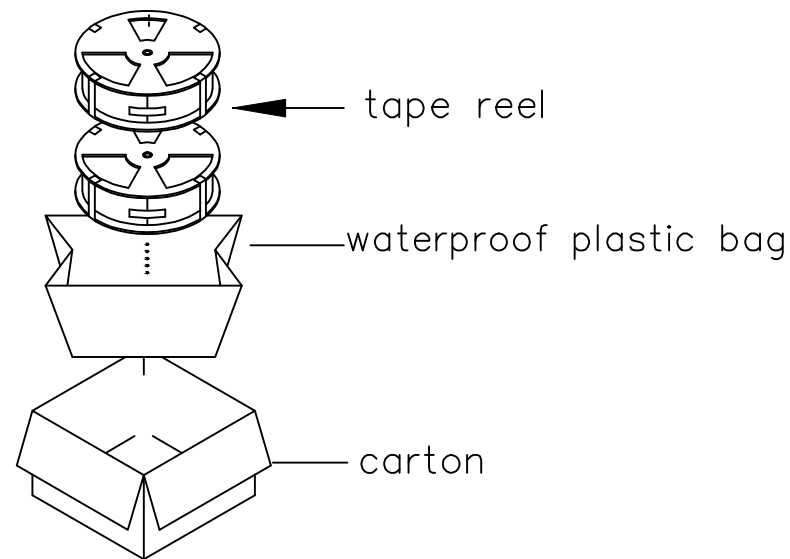
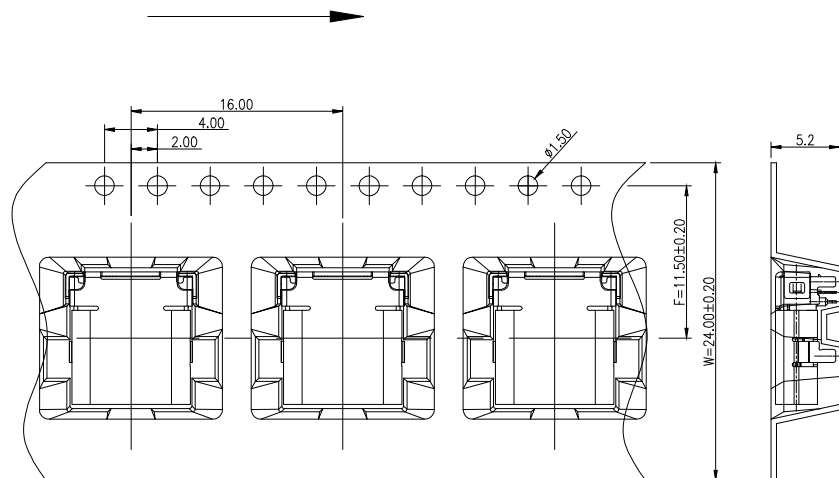
B

C

D

E

F



G

RoHS compliant
Unit: mm

Scale	Free						Date	Name	Description: USB Connector USB3.2 GEN1 TYPE C / FEMALE / 90°
TOLERANCE						Drawn	18.03.2022	Luca	
X.X	±0.38					Approved	18.03.2022	Luca	ASSMANN WSW-No. A-USBC-32F1-EA-GRR05
X.XX	±0.25								
X.XXX	±0.15								Drawing-No. ASS 9297 CO rev00
DIM	TOL								
X°	±2°								Customer-No. Sheet 3/3
①	Drawn		18.03.2022	Luca					
Id.	Modification		Date	Name					

H

1

2

3

4

5

6

7