

1

2

3

4

5

6

7

A

B

C

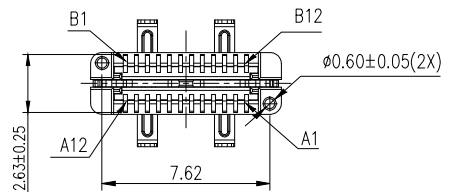
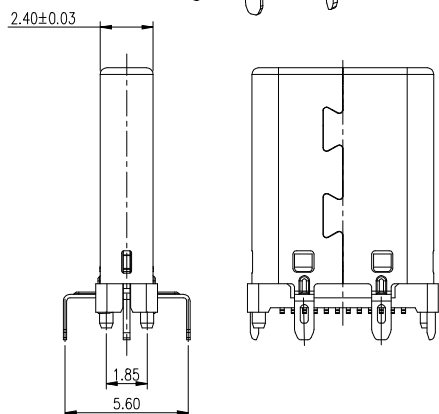
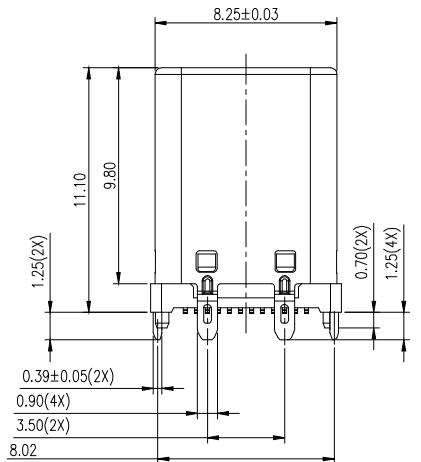
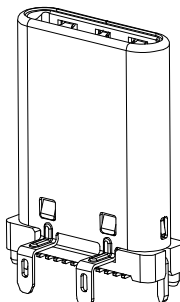
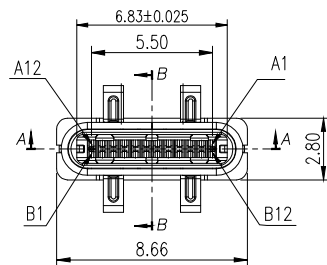
D

E

F

NOTE:

- MATERIAL SPECIFICATION:
 - HOUSING&PICKUP COVER:LCP,UL94 V-0.
 - CONTACTS: COPPER ALLOY(C7025)
 - LATCH: STAINLESS STEEL(SUS301)
 - SPRING: STAINLESS STEEL(SUS304)
 - FRONT SHELL: STAINLESS STEEL(SUS304)
- PLATING SPECIFICATION:
 - CONTACTS:
 - Ni 30u" MIN. UNDER PLATED OVER ALL.
 - Au 1u" PLATED ON CONTACT
 - 80u" TIN PALTED ON SOLDER AREA
 - FRONT SHELL:
 - Ni 30u" MIN. UNDER PLATED OVER ALL.
 - LATCH:
 - Ni 50u" MIN. UNDER PLATED OVER ALL.
 - 80u" MIN. TIN PLATED ON SOLDER AREA.
 - SPRING:
 - CLEAR ONLY
- MECHANICAL PERFORMANCE,
 - INSERTION FORCE: 0.5~2.0kgf.
 - REMOVAL FORCE: 0.8kgf~2.0kgf.
 - DURABILITY: 10000 CYCLES.
- ELECTRICAL PERFORMANCE,
 - CURRENT RATING:3.0A
VOLTAGE RATING:5.0V
 - LLCR:
 - VBUS & GND PINS AND OTHER PINS: 40mΩ/PIN MAX.
 - SHIELD: 50mΩ/MAX.
 - LLCR MAX. CHANGE OF ALL PINS: 10mΩ.
 - INSULATION RESISTANCE: 100MΩ MIN
 - DIELECTRIC WITHSTAND VOLTAGE,AC 100V FOR 1 MINUTE.
- ENVIRONMENTAL PERFORMANCE:
 - OPERATING TEMPERATURE: -25°C~+85°C.
 - IR REFLOW:
 - THE PEAK TEMPERATURE ON THE BOARD SHALL BE MAINTAINED FOR 10 SECONDS AT 260°C.



RoHS compliant
Unit: mm

G	Scale	Free					Date	Name	Description: USB Connector
	TOLERANCE					Drawn	18.03.2022	Luca	USB3.2 GEN1 TYPE C / MALE / Vertical Type/SMT
	X.X	±0.30				Approved	18.03.2022	Luca	ASSMANN WSW-No.
	X.XX	±0.20							A-USBC-32M1-EG-GSR01
H	X.XXX	±0.10							Drawing-No.
	DIM	TOL							ASS 9293 CO
	X°	±2°							rev00
	①	Drawn		18.03.2022	Luca			Customer-No.	Sheet 1/3
Id.	Modification		Date	Name					

1

2

3

4

5

6

7

SV5151

1

2

3

4

5

6

7

A

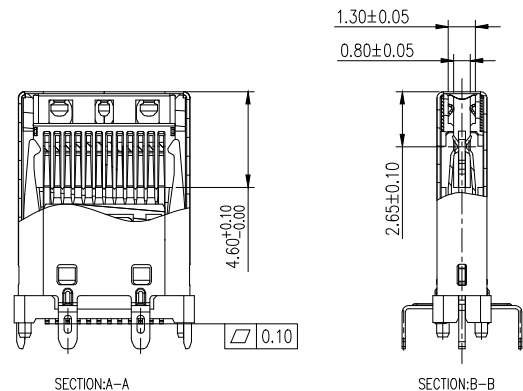
B

C

D

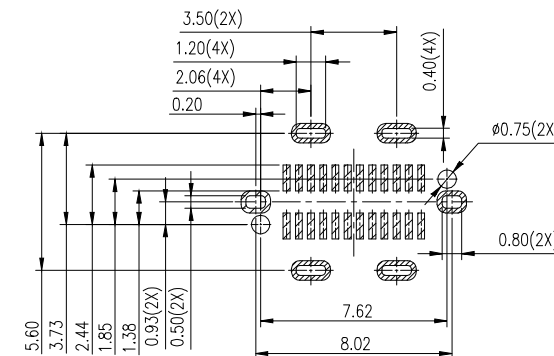
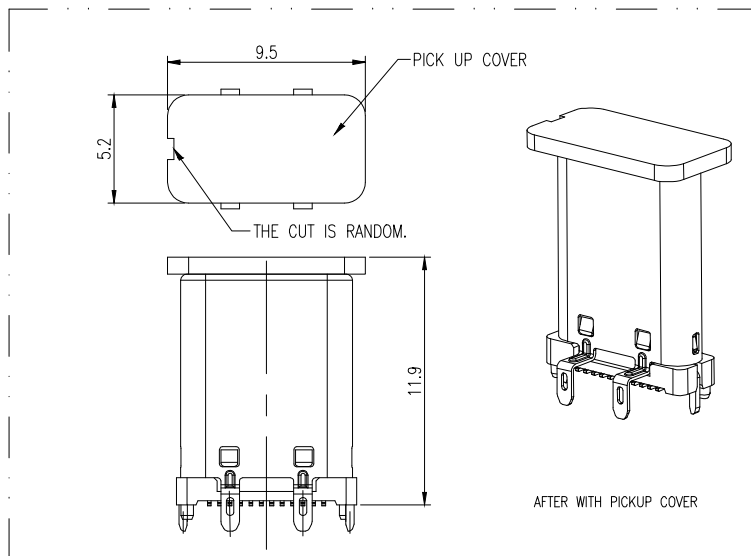
E

F



USB TYPE-C PIN ASSIGNMENTS

PIN NUMBER	SIGNAL NAME	PIN NUMBER	SIGNAL NAME
A1	GND	B12	GND
A2	SSTXp1	B11	SSRXp1
A3	SSTXn1	B10	SSRXn1
A4	Vbus	B9	Vbus
A5	CC1	B8	SBU2
A6	Dp1	B7	Dn2
A7	Dn1	B6	Dp2
A8	SBU1	B5	CC2
A9	Vbus	B4	Vbus
A10	SSRXn2	B3	SSTXn2
A11	SSRXp2	B2	SSTXp2
A12	GND	B1	GND



RoHS compliant

Unit: mm

G	Scale	Free					Date	Name	Description: USB Connector	
	TOLERANCE						Drawn	18.03.2022	Luca	USB3.2 GEN1 TYPE C / MALE / Vertical Type/SMT
	X.X	±0.38					Approved	18.03.2022	Luca	ASSMANN WSW-No.
	X.XX	±0.25								A-USBC-32M1-EG-GSR01
H	X.XXX	±0.15								Drawing-No.
	DIM	TOL								ASS 9293 CO
	X°	±2°								rev00
			①	Drawn	18.03.2022	Luca	ASSMANN WSW components		Customer-No.	Sheet 2/3
		Id.	Modification	Date	Name					

1

2

3

4

5

6

7

A

B

C

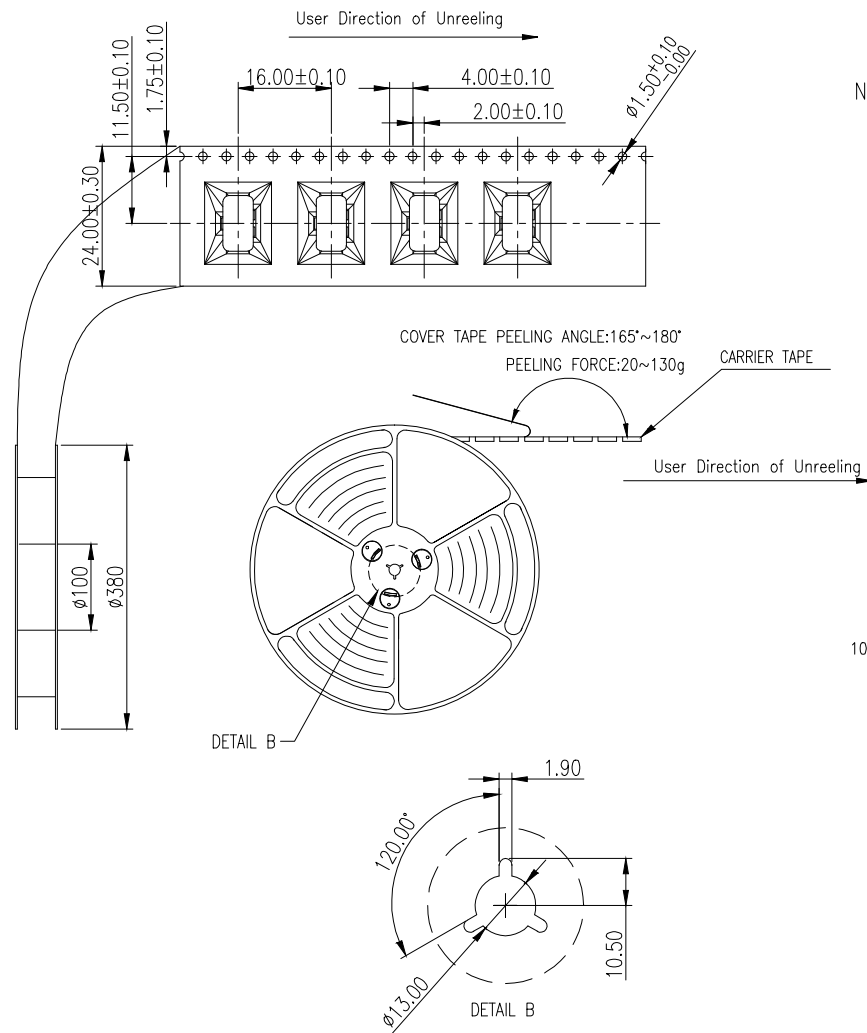
D

E

F

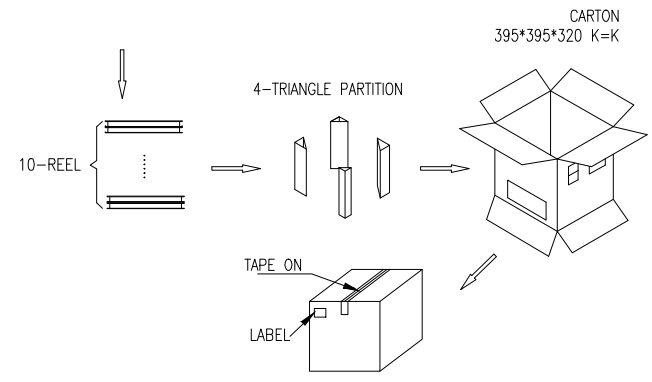
G

H



NOTES

1. NUMBER OF CONNECTORS: 400PCS/REEL
2. LEAD TAPE LENGTH
3. QUANTITY: 4000PCS/CARTON



RoHS compliant
Unit: mm

Scale	Free					Date	Name	Description: USB Connector	
	TOLERANCE					Drawn	18.03.2022	Luca	USB3.2 GEN1 TYPE C / MALE / Vertical Type/SMT
X.X	±0.38					Approved	18.03.2022	Luca	ASSMANN WSW-No.
X.XX	±0.25								A-USBC-32M1-EG-GSR01
X.XXX	±0.15								Drawing-No.
DIM	TOL								ASS 9293 CO
X°	±2°								rev00
①	Drawn		18.03.2022	Luca				Customer-No.	Sheet 3/3
Id.	Modification		Date	Name					