

1

2

3

4

5

6

7

A

B

C

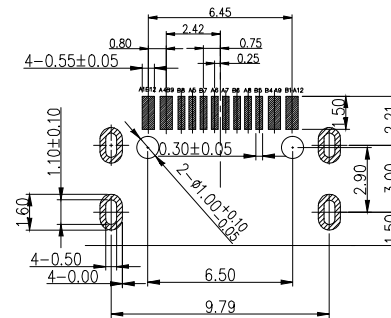
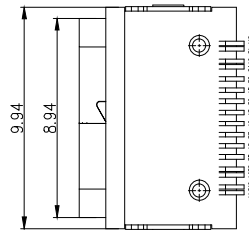
D

E

F

G

H

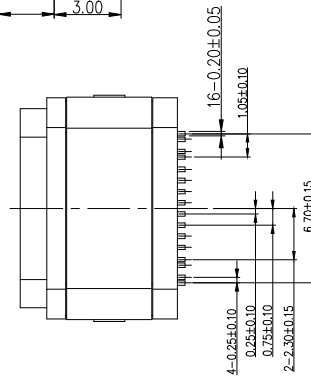
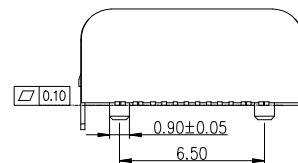
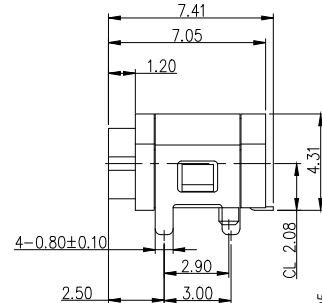
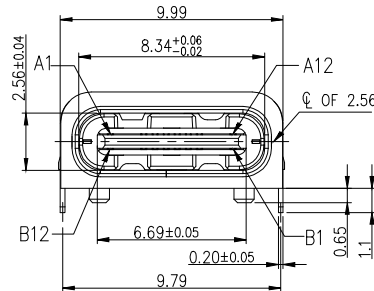


RECOMMENDED P.C.B. LAYOUT
TOLERANCE UNSPECIFIED ±0.05mm

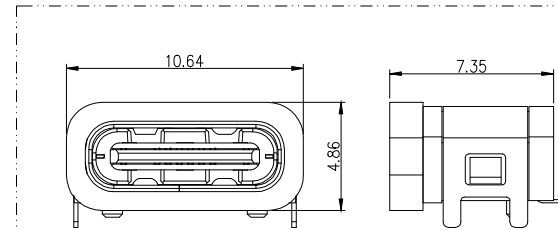
NOTES:

SPECIFICATION:

1. CURRENT RATING: 3.0A MAX
2. VOLTAGE: 100 VAC
3. TEMPERATURE RANGE: -30 °C ~ 85 °C
4. CONTACT RESISTANCE: 40 MILLIONHM MAX
5. INSULATION RESISTANCE: 100 MEGOHMS MIN.
6. INSERTION FORCE : 5N~20N
7. UNMATING FORCE: 8N~20N
8. DURABILITY: 10,000 CYCLES
9. WATER PROOFNESS: THIS PRODUCT IS BASED ON IP54.



A1	GND	B12	GND
A4	VBUS	B9	VBUS
A5	CC1	B8	SBU2
A6	DP1	B7	DN2
A7	DN1	B6	DP2
A8	SBU1	B5	CC2
A9	VBUS	B4	VBUS
A12	GND	B1	GND
PIN	SIGNAL NAME	PIN	SIGNAL NAME



AFTER MATING WITH SEALING RING

NO.	DESCRIPTION	MATERIAL	REMARKS	QTY
5	SHELL	SUS304	Ni Plated	1PCS
4	SHIELDING PLATE	SUS301	Ni Plated	1PCS
3	CONTACT	C2680	Au/Ni Plated	1SET
2	SHELL HOUSING	LCP	BLACK	1PCS
1	HOUSING	LCP	BLACK	1PCS

RoHS compliant
Unit: mm

Scale	Free
TOLERANCE	
X.X	±0.38
X.XX	±0.25
X.XXX	±0.15
DIM	TOL
X°	±2°

①	Drawn	08.06.2022	Luca
Id.	Modification	Date	Name

Drawn	Date	Name
08.06.2022	Luca	
Approved	Date	Name
08.06.2022	Luca	

ASSMANN
WSW components

Description: USB Connector	
USB2.0 TYPE C / FEMALE / 16pin / Waterproof	
ASSMANN WSW-No.	
A-USBC-20F0-EA-GSR08	
Drawing-No.	ASS 9291 CO rev00
Customer-No.	Sheet 1/2

1

2

3

4

5

6

7

1

2

3

4

5

6

7

A

B

C

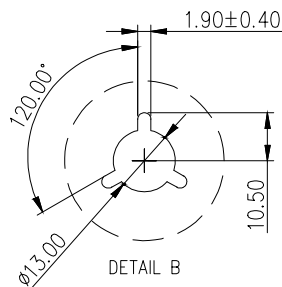
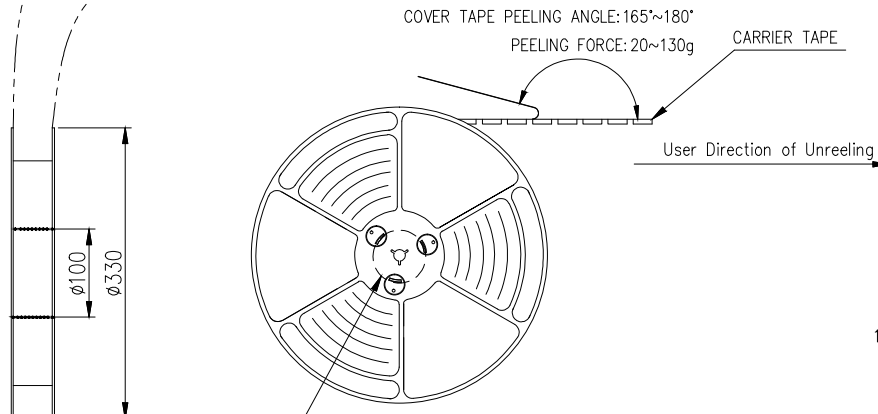
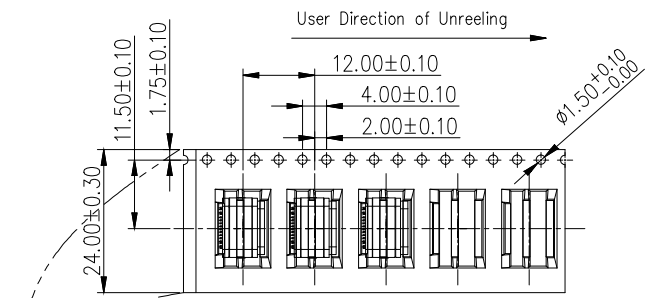
D

E

F

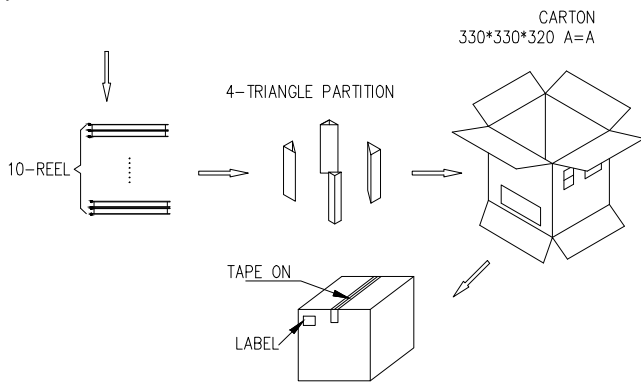
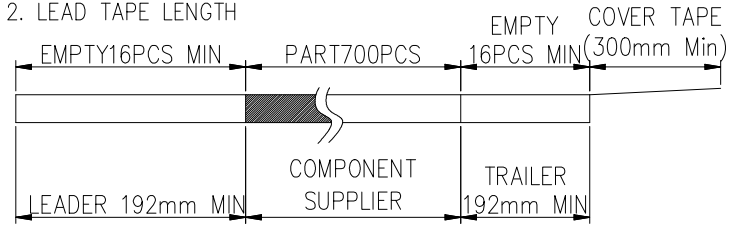
G

H



NOTES

- 1. NUMBER OF CONNECTORS: 700PCS/REEL
- 2. LEAD TAPE LENGTH
- 3. QUANTITY: 7000PCS/CARTON



RoHS compliant
Unit: mm

Scale	Free						Date	Name	Description: USB Connector USB2.0 TYPE C / FEMALE / 16pin / Waterproof
TOLERANCE						Drawn	08.06.2022	Luca	
X.X	±0.38					Approved	08.06.2022	Luca	ASSMANN WSW-No. A-USBC-20F0-EA-GSR08
X.XX	±0.25								
X.XXX	±0.15								Drawing-No. ASS 9291 CO
DIM	TOL								
X°	±2°								rev00
①	Drawn		08.06.2022	Luca					
Id.	Modification		Date	Name					Customer-No.

1

2

3

4

5

6

7