

1

2

3

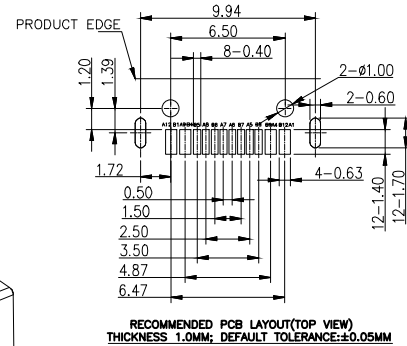
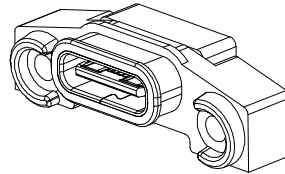
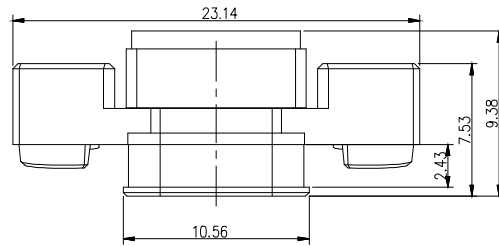
4

5

6

7

A



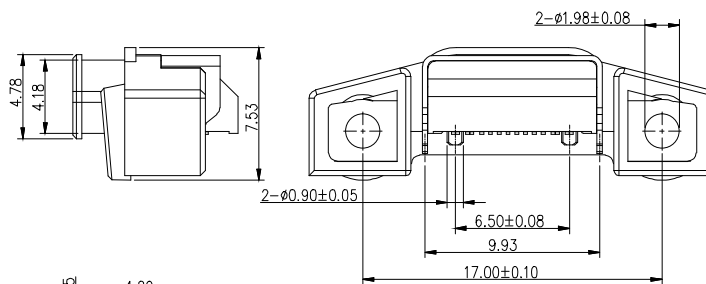
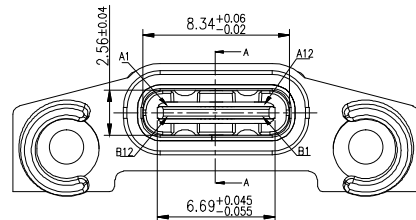
RECOMMENDED PCB LAYOUT(TOP VIEW)
THICKNESS 1.0MM; DEFAULT TOLERANCE:±0.05MM

NOTES:

1. MATERIAL: SEE TABLE
2. FINISH:SEE TABLE
3. ELECTRICAL:
 - 3-1. CONTACT CURRENT RATING:
5A(VBUS PIN AND GND PIN 1.25A/PIN)
0.25A/PIN(OTHER PIN)
 - 3-2. INSULATION RESISTANCE:
100M OHMS MIN AT 200V DC
 - 3-3. DIELECTRIC WITHSTANDING VOLTAGE:
100V AC MIN
 - 3-4. LOW LEVEL CONTACT RESISTANCE:
INITIAL 40m ohms MAX
AFTER 50m ohms MAX
4. MECHANICAL CHARACTERISTICS:
 - 4-1. MATING FORCE: 5~20N
 - 4-2. UNMATING FORCE: 8-20N(INITIAL), 6-20N(AFTER 10000CYCLES)
 - 4-3. DURABILITY: 10000 MATING CYCLES
 - 4-4. OPERATING TEMPERATURE: -40°C TO +80°C
5. WATERPROOF RATE: IPX7

B

C

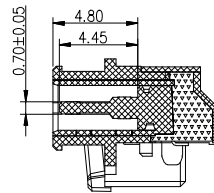
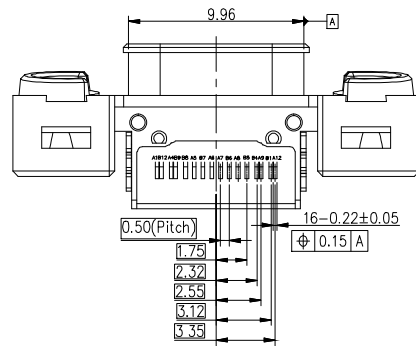


ORDER CODE:

A-USBC-20F0-EA-xSR07

P: CONTACT AREA Au 15u" min
H: CONTACT AREA Au 30u" min

D



SECTION A-A

A1	GND	B12	GND
A4	VBUS	B9	VBUS
A5	CC1	B8	SBU2
A6	DP1	B7	DN2
A7	DN1	B6	DP2
A8	SBU1	B5	CC2
A9	VBUS	B4	VBUS
A12	GND	B1	GND
PIN	SIGNAL NAME	PIN	SIGNAL NAME

PIN ASSIGNMENT											
A1	A2	A3	A4	A5	A6	A7	A8	A9	A10	A11	A12
GND	SSTxp1	SSTXn1	VBUS	CC1	Dp1	Dn1	SBU1	VBUS	SSRXn2	SSRxp2	GND
GND	SSRXp1	SSRXn1	VBUS	SBU2	Dn2	Dp2	CC2	VBUS	SSTXn2	SSTxp2	GND
B12	B11	B10	B9	B8	B7	B6	B5	B4	B3	B2	B1

TABLE:

ITEM	NAME	QTY	MATERIAL	FINISH & REMARK
5	GULE	-	-	BLACK
4	SHELL	2	STAINLESS STEEL	NICKEL PLATING T=0.30MM
3	MID PLATE	1	STAINLESS STEEL	NICKEL PLATING T=0.15MM
2	TERMINAL	16	COPPER ALLOY	Au Plated (SEE ORDER CODE),T=0.15MM
1	MOLDING	4	LCP S475	BLACK UL94V-0

E

F

RoHS compliant
Unit: mm

G	Scale	Free	Date	Name	Description: USB Connector USB2.0 TYPE C / FEMALE /16PIN / IPX7			
	TOLERANCE					Drawn	18.03.2022	Luca
	X.X	±0.30				Approved	18.03.2022	Luca
	X.XX	±0.20						
H	X.XXX	±0.10			ASSMANN WSW-No. A-USBC-20F0-EA-xSR07			
	DIM	TOL			Drawing-No.			
	X°	±2°			ASS 9289 CO	rev00		
	①	Drawn	18.03.2022	Luca	Customer-No.	Sheet 1/2		
	Id.	Modification	Date	Name				



1

2

3

4

5

6

7

1

2

3

4

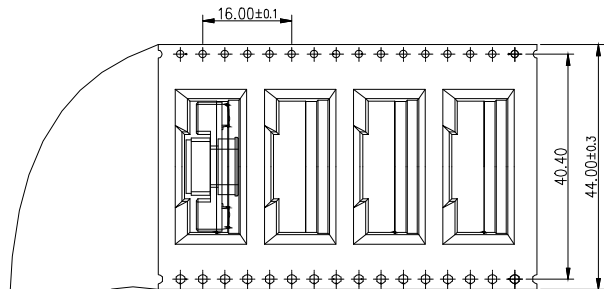
5

6

7

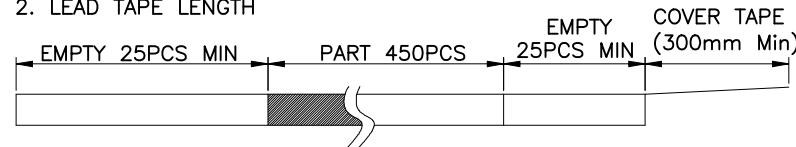
A

USFR DIRFECTION OF UNRRFLEING



NOTES

- 1. NUMBER OF CONNECTORS: 450PCS/REEL
- 2. LEAD TAPE LENGTH



3. QUANTITY: 2700PCS/CARTON

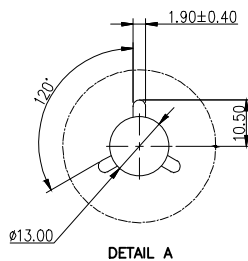
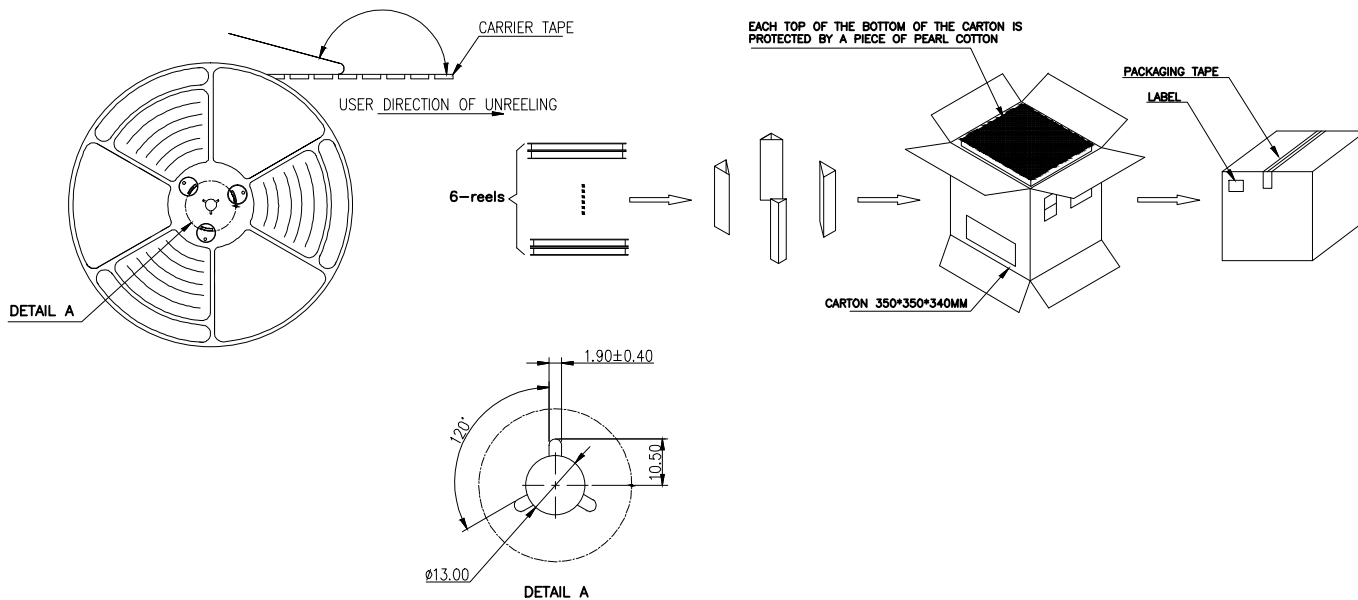
B

C

D

E

F



G

RoHS compliant
Unit: mm

Scale	Free
TOLERANCE	
X.X	±0.30
X.XX	±0.20
X.XXX	±0.10
DIM	TOL
X°	±2°

				Date	Name	Description: USB Connector USB2.0 TYPE C / FEMALE /16PIN / IPX7
			Drawn	18.03.2022	Luca	
			Approved	18.03.2022	Luca	ASSMANN WSW-No. A-USBC-20F0-EA-xSR07

H

						ASSMANN WSW components	Drawing-No.	ASS 9289 CO	rev00
			Drawn	18.03.2022	Luca		Customer-No.		
			Id.	Modification	Date	Name			

1

2

3

4

5

6

7