

1

2

3

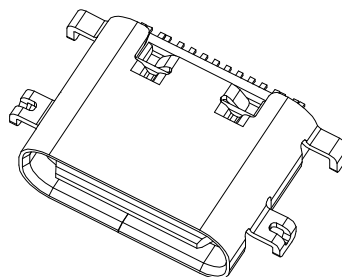
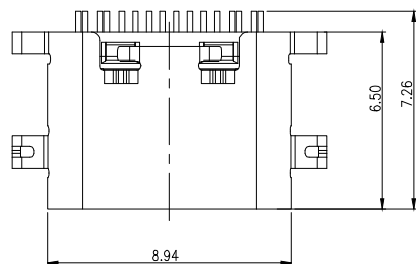
4

5

6

7

A



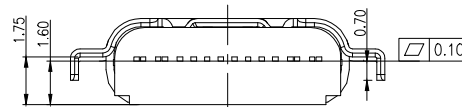
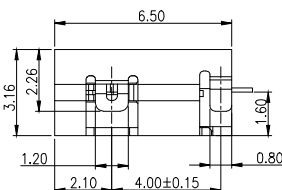
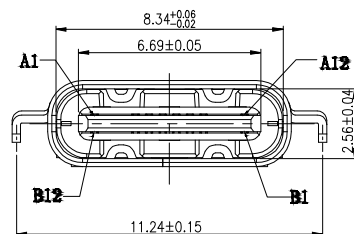
NOTES:

SPECIFICATION:

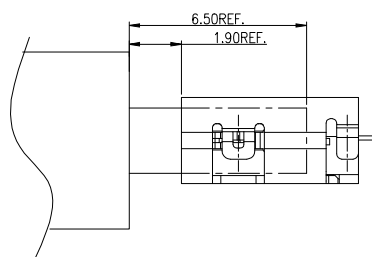
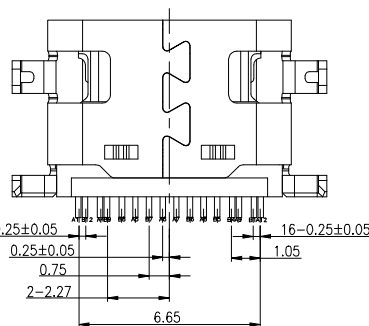
1. CURRENT RATING: 3.0A MAX
2. WITHSTANDING VOLTAGE: 100 VAC
3. TEMPERATURE RANGE: -30 °C ~ 85 °C
4. CONTACT RESISTANCE: 40 MILLIONHM MAX
5. INSULATION RESISTANCE: 100 MEGOHMS MIN.
6. INSERTION FORCE : 5N~20N
7. UNMATING FORCE: 8N~20N
8. DURABILITY: 10,000 CYCLES

B

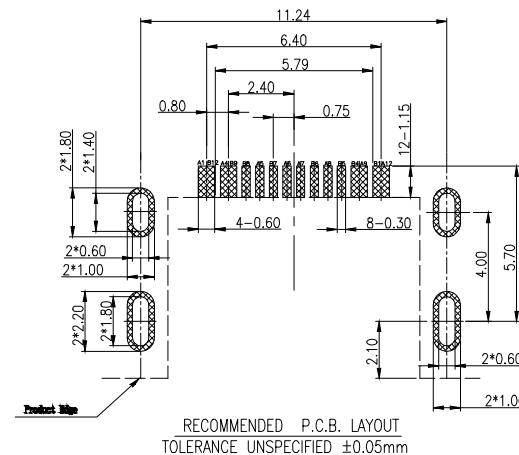
C



D



Mating Schematic Diagram



RECOMMENDED P.C.B. LAYOUT
TOLERANCE UNSPECIFIED ±0.05mm

E

F

G

RoHS compliant
Unit: mm

Scale Free

TOLERANCE

X.X ±0.30

X.XX ±0.20

X.XXX ±0.10

DIM TOL

X° ±2°

①	Update packing quantity	03.05.2023	Luca
②	Drawn	08.06.2022	Luca
Id.	Modification	Date	Name



Date Name

Drawn 08.06.2022 Luca

Approved 03.05.2023 Luca

Description: USB Connector
USB2.0 TYPE C / FEMALE / 16pin

ASSMANN WSW-No.
A-USBC-20F0-EA-KSR02

Drawing-No.
ASS 9281 CO rev01

Customer-No. Sheet
1/2

1

2

3

4

5

6

7

1

2

3

4

5

6

7

A

B

C

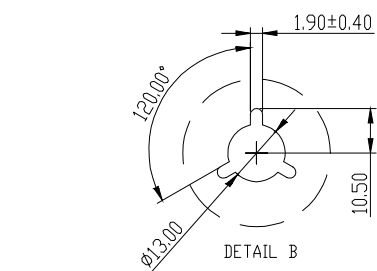
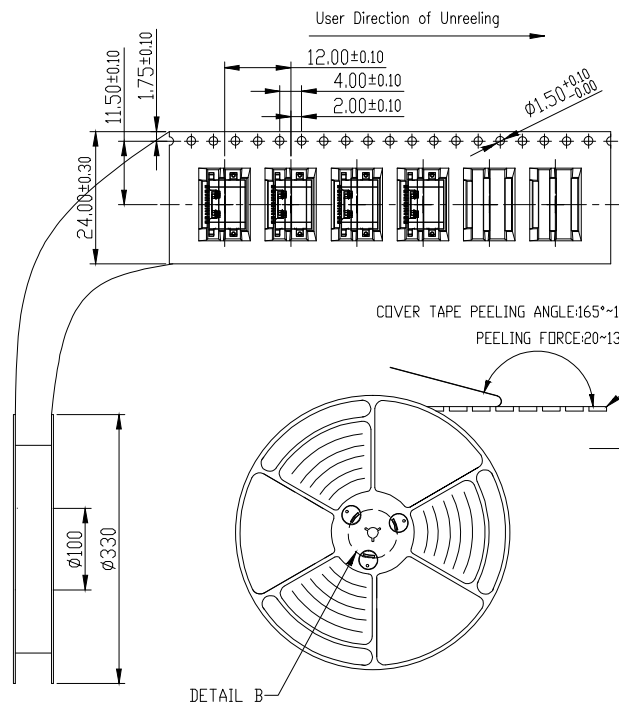
D

E

F

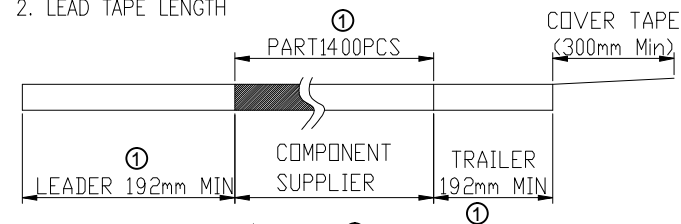
G

H

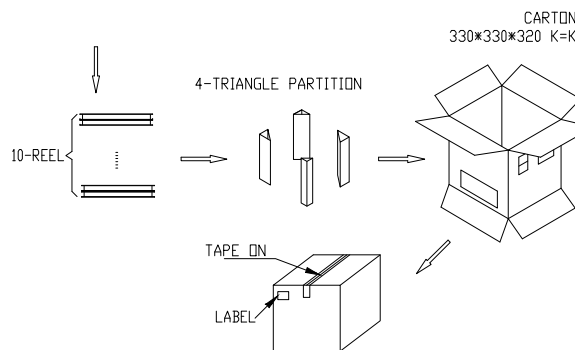


NOTES

1. NUMBER OF CONNECTORS: 1400PCS/REEL ①
2. LEAD TAPE LENGTH



3. QUANTITY: 14000PCS/CARTON ①



RoHS compliant
Unit: mm

Scale	Free
-------	------

TOLERANCE	
-----------	--

X.X	±0.30
-----	-------

X.XX	±0.20
------	-------

X.XXX	±0.10
-------	-------

DIM	TOL
-----	-----

X°	±2°
----	-----

①	Update packing quantity	03.05.2023	Luca
②	Drawn	08.06.2022	Luca
Id.	Modification	Date	Name

ASSMANN
WSW components

Date	Name
------	------

Drawn	08.06.2022	Luca
-------	------------	------

Approved	03.05.2023	Luca
----------	------------	------

Description: USB Connector

USB2.0 TYPE C / FEMALE / 16pin

ASSMANN WSW-No.

A-USBC-20F0-EA-KSR02

Drawing-No.

ASS 9281 CO

rev01

Customer-No.

Sheet
2/2

1

2

3

4

5

6

7

SV5151