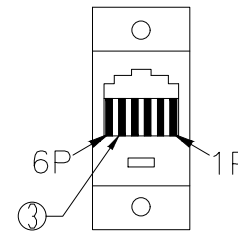
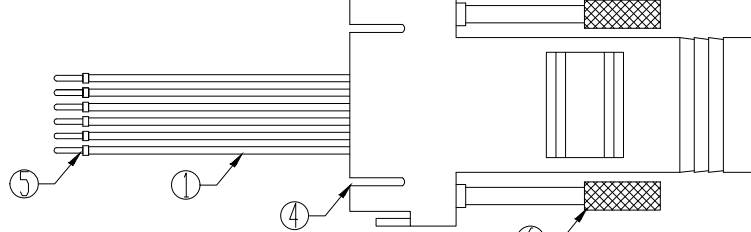
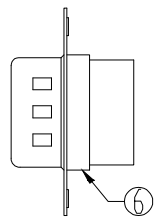
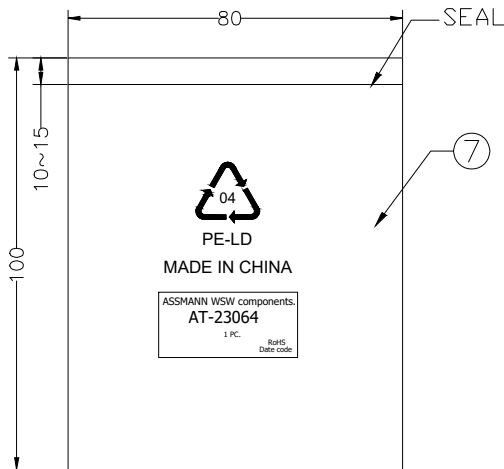


P1



P2



1PC/PE BAG

PIN ASSIGNMENT

P1	P2
BLUE	1
YELLOW	2
GREEN	3
RED	4
BLACK	5
WHITE	6

NO.	NAME	Q'TY	SPECIFICATION
⑧	PE BAG	1/10	CLEAR SIZE: 170*250*0.05mm PRINT BLACK"MADE IN CHINA"+"10PCS"
⑦	PE BAG	1	CLEAR SIZE: 80*100*0.05mm PRINT BLACK"MADE IN CHINA"
⑥	SCREW	2	THUMSCREW 4*37MM
⑤	TER	6	DB 9P MALE TER G/F
④	ADAPTER	1	DB9PM/RJ12 BEIGE
③	CONN	1	RJ12 6P6C JACK PIN 3U"
②	CONN	1	DB 9P MALE BLACK INSULATION
①	CABLE	1	UL 26AWG BLUE L=60mm
		1	UL 26AWG YELLOW L=60mm
		1	UL 26AWG GREEN L=60mm
		1	UL 26AWG RED L=60mm
		1	UL 26AWG BLACK L=60mm
		1	UL 26AWG WHITE L=60mm

RoHS compliant
Unit: mm

Scale	Free				Date	Name	Customer-No.
TOLERANCE					Drawn	17.11.2016	Winnie
					Approved	17.11.2016	Winnie
DIM	TOL						
		①	Drawn	17.11.2016	Winnie		
Angle	TOL	Id.	Modification	Date	Name		

ASSMANN WSW-No.		AT-23064	
Drawing-No.		ASS 7913 CA	rev00
Replace	Sheet		1 / 1

1

2

3

4

5

6

7