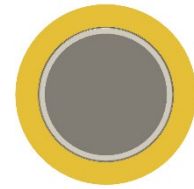




# PUI audio



Data Sheet

AB2063BF

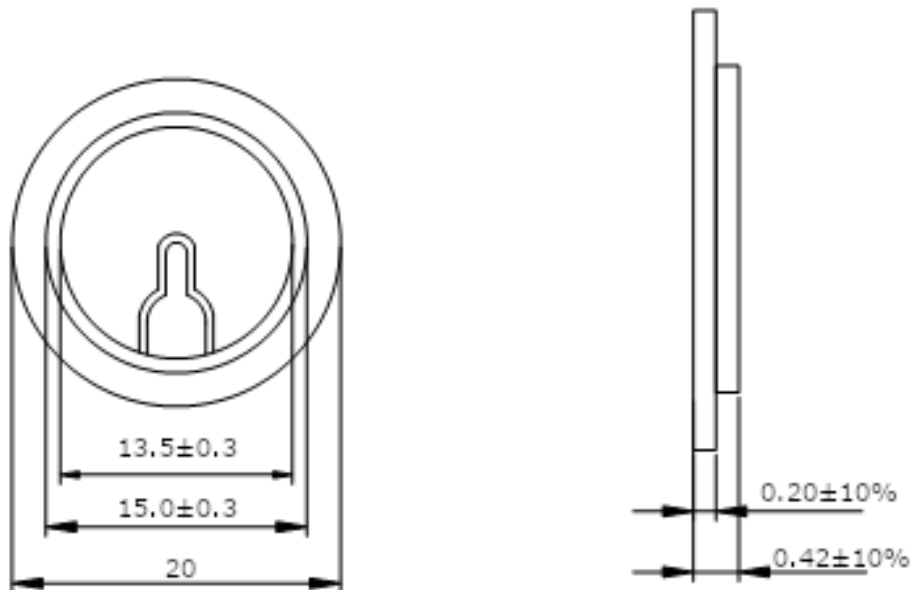
## Features:

- Ultrathin and lightweight 20mm feedback bender
- 6,300 Hz resonant frequency
- Low power consumption

## Specifications

| Parameters                | Values           | Units        |
|---------------------------|------------------|--------------|
| Resonant Frequency        | $6,300 \pm 600$  | Hz           |
| Resonant Impedance (Max)  | 800              | Ohms         |
| Max Input Voltage         | 30               | Vp-p         |
| Capacitance (@ 120 Hz)    | $8,500 \pm 30\%$ | pF           |
| Plate Material            | Brass            | -            |
| Storage Temperature       | -30 ~ 80         | °C           |
| Operating Temperature     | -20 ~ 70         | °C           |
| Environmental Compliances | RoHS/REACH       | Exempt. 7c-1 |

## Dimensions



## Packaging

100pcs/roll, foam packaging  
20 rolls/layer = 2000pcs  
total 5 layers = 10,000pcs

### Specifications Revisions

| Revision | Description               | Date     | Approved |
|----------|---------------------------|----------|----------|
| A        | Released from Engineering | 3/6/2024 | JD       |

Note:

- Unless otherwise specified:
  - All dimensions are in millimeters.
  - Default tolerances are  $\pm 0.5\text{mm}$  and angles are  $\pm 3^\circ$ .
- Specifications subject to change or withdrawal without notice.