

# **SATA Slim 650-D**

# **Datasheet**

**(SQF-SLMxx-xxxxDSDx)**

**CONTENTS**

<b>1. Overview .....</b>	<b>4</b>
<b>2. Features .....</b>	<b>5</b>
<b>3. Specification Table .....</b>	<b>6</b>
<b>4. General Description .....</b>	<b>8</b>
<b>5. Pin Assignment and Description .....</b>	<b>12</b>
5.1 SATA Slim disk module Interface Pin Assignments (Signal Segment).....	12
5.2 SATA Slim disk module Interface Pin Assignments (Power Segment) .....	12
5.3 Hardware Jumper Feature Set .....	12
<b>6. Identify Device Data .....</b>	<b>14</b>
<b>7. ATA Command Set .....</b>	<b>17</b>
<b>8. System Power Consumption .....</b>	<b>23</b>
8.1 Supply Voltage .....	23
8.2 Power Consumption .....	23
<b>9. Physical Dimension .....</b>	<b>24</b>
<b>Appendix: Part Number Table .....</b>	<b>25</b>

**Revision History**

Rev.	Date	History
1.0	2022/4/26	1. Preliminary

*Advantech reserves the right to make changes without further notice to any products or data herein to improve reliability, function, or design. Information furnished by Advantech is believed to be accurate and reliable. However, Advantech does not assure any liability arising out of the application or use of this information, nor the application or use of any product or circuit described herein, neither does it convey any license under its patent rights nor the rights of others.*

*Copyright © 1983-2021 Advantech Co., Ltd. All rights reserved.*

## 1. Overview

Advantech SQFlash 650-D series SATA Slim (SQF-SLM 650-D) delivers all the advantages of flash disk technology with the Serial ATA I/II/III interface and is fully compliant with SATA Slim specification. The SQF-SLM 650-D is designed to operate at a maximum operating frequency of 177MHz with 25MHz external crystal. Its capacity could provide a wide range up to 1TB. Moreover, it can reach up to 550MB/s read as well as 520MB/s write high performance based on 3D TLC/sTLC (with 1.75MB SRAM enabled and measured by CrystalDiskMark v5.0). The power consumption of SQF-SLM 650-D is much lower than traditional hard drives, making it the best embedded solution for new platforms.

## 2. Features

### ■ **Standard SATA interface**

- Support SATA 1.5/3.0/6.0 Gbps interface
- SATA Revision 3.2 compliant

### ■ **Operating Voltage : 5V**

### ■ **TRIM 、 AHCI supported**

### ■ **Temperature Ranges**

- Commercial Temperature
  - 0°C to 70°C for operating<sup>1</sup>
  - -40°C to 85°C for storage
- Minus Temperature
  - Tc -20°C to 85°C for operating<sup>1</sup>
  - Tc -40°C to 85°C for storage
- Industrial Temperature
  - -40°C to 85°C for operating<sup>1</sup>
  - -40°C to 85°C for storage

<sup>1</sup>Note 1: Based on SMART Attribute C2h measured by thermal sensor.

### ■ **Mechanical Specification**

- Shock : 1,500G / 0.5ms
- Vibration : 20G / 80~2,000Hz

### ■ **Humidity**

- Humidity : Up to 95% under 40°C

### ■ **Acquired RoHS 、 WHQL 、 CE 、 FCC Certificate**

### ■ **Acoustic : 0 dB**

### ■ **Dimension : 54.0 mm x 39.0 mm x 4.0 mm**

### 3. Specification Table

#### ■ Performance

		Sequential Performance (MB/sec)		Random Performance (IOPS@4K)	
		Read	Write	Read	Write
3D TLC (BiCS5)	64 GB	TBC	TBC	TBC	TBC
	128 GB	556	468	44,500	78,500
	256 GB	555	492	75,500	82,500
	512 GB	556	513	91,500	85,000
	1 TB	557	523	96,500	86,000

\* All performance above are tested with AHCI mode.

\* Tested by CrystalDiskMark 1GB workload.

### ■ Endurance

JEDEC defined an endurance rating TBW (TeraByte Written), following by the equation below, for indicating the number of terabytes a SSD can be written which is a measurement of SSDs' expected lifespan, represents the amount of data written to the device.

$$\text{TBW} = [(\text{NAND Endurance}) \times (\text{SSD Capacity})] / \text{WAF}$$

- **NAND Endurance:** Program / Erase cycle of a NAND flash.
  - 3D TLC (BiCS5): 3,000 cycles
  - 3D sTLC (BiCS5): 30,000 cycles
- **SSD Capacity:** SSD physical capacity in total of a SSD.
- **WAF:** Write Amplification Factor (WAF), as the equation shown below, is a numerical value representing the ratio between the amount of data that a SSD controller needs to write and the amount of data that the host's flash controller writes. A better WAF, which is near to 1, guarantees better endurance and lower frequency of data written to flash memory.

$$\text{WAF} = (\text{Lifetime write to flash}) / (\text{Lifetime write to host})$$

- **Endurance measurement is based on New JEDEC 219 Client Workload and verified with following workload conditions,**

- Test duration: over 168hrs (=7 days)
- File Size: Follow by JEDEC 219

3D TLC (BiCS5)	WAF	TBW	DWPD*
64 GB	TBC	TBC	TBC
128 GB	4.20	90	0.64
256 GB	3.20	230	0.82
512 GB	2.70	550	0.98
1 TB	2.50	1200	1.07

\* The endurance of SSD could be estimated based on users' behaviors, NAND endurance cycles, and write amplification factor. It is not guaranteed by the flash vendor. TBW may vary from flash configuration and platform.

\* Endurance of 1 drive writes per day (DWPD) for 3 years

## 4. General Description

### ■ Error Correction Code (ECC)

Flash memory cells will deteriorate with use, which might generate random bit errors in the stored data. Thus, SQFlash 650-D series SATA Slim applies the LDPC (Low Density Parity Check) of ECC algorithm, which can detect and correct errors occur during read process, ensure data been read correctly, as well as protect data from corruption.

### ■ Wear Leveling

NAND flash devices can only undergo a limited number of program/erase cycles, and in most cases, the flash media are not used evenly. If some areas get updated more frequently than others, the lifetime of the device would be reduced significantly. Thus, Wear Leveling is applied to extend the lifespan of NAND Flash by evenly distributing write and erase cycles across the media.

SQFlash provides advanced Wear Leveling algorithm, which can efficiently spread out the flash usage through the whole flash media area. Moreover, by implementing both dynamic and static Wear Leveling algorithms, the life expectancy of the NAND flash is greatly improved.

### ■ Bad Block Management

Bad blocks are blocks that include one or more invalid bits, and their reliability is not guaranteed. Blocks that are identified and marked as bad by the manufacturer are referred to as “Initial Bad Blocks”. Bad blocks that are developed during the lifespan of the flash are named “Later Bad Blocks”. SQFlash implements an efficient bad block management algorithm to detect the factory-produced bad blocks and manages any bad blocks that appear with use. This practice further prevents data being stored into bad blocks and improves the data reliability.

### ■ Power Loss Protection: Flush Manager

Power Loss Protection is a mechanism to prevent data loss during unexpected power failure. DRAM is a volatile memory and frequently used as temporary cache or buffer between the controller and the NAND flash to improve the SSD performance. However, one major concern of the DRAM is that it is not able to keep data during power failure. Accordingly, SQFlash SSD applies the Flush Manager technology, only when the data is fully committed to the NAND flash will the controller send acknowledgement (ACK) to the host. Such implementation can prevent false-positive performance and the risk of power cycling issues.

In addition, it is critical for a controller to shorten the time the in-flight data stays in the controller internal cache. Thus, SQFlash applies an algorithm to reduce the amount of data resides in the cache to provide a better performance. With Flush Manager, incoming data would only have a “pit stop” in the cache and then move to NAND flash directly. Also, the onboard DDR will be treated as an “organizer” to consolidate incoming data into groups before written into the flash to improve write amplification.

### ■ TRIM

TRIM is a feature which helps improve the read/write performance and speed of solid-state drives (SSD). Unlike hard disk drives (HDD), SSDs are not able to overwrite existing data, so the available space gradually becomes smaller with each use. With the TRIM command, the operating system can inform the SSD which blocks of data are no longer in use and can be removed permanently. Thus, the SSD will perform the erase action, which prevents unused data from occupying blocks all the time.

### ■ SMART

SMART, an acronym for Self-Monitoring, Analysis and Reporting Technology, is an open standard that allows a hard disk drive to automatically detect its health and report potential failures. When a failure is recorded by SMART, users can choose to replace the drive to prevent unexpected outage or data loss. Moreover, SMART can inform users of impending failures while there is still time to perform proactive actions, such as copy data to another device.



## ■ Over-Provision

Over Provisioning refers to the inclusion of extra NAND capacity in a SSD, which is not visible and cannot be used by users. With Over Provisioning, the performance and IOPS (Input/Output Operations per Second) are improved by providing the controller additional space to manage P/E cycles, which enhances the reliability and endurance as well. Moreover, the write amplification of the SSD becomes lower when the controller writes data to the flash.

## ■ Thermal Throttling

Thermal Throttling function is for protecting the drive and reducing the possibility of read / write error due to overheat. The temperature is monitored by the thermal sensor. As the operating temperature continues to increase to threshold temperature, the Thermal Throttling mechanism is activated. At this time, the performance of the drive will be significantly decreased to avoid continuous heating. When the operating temperature falls below threshold temperature, the drive can resume to normal operation.

## ■ Advanced Device Security Features

### • Advanced Encryption Standard (AES)

An AES 256-bit encryption key is generated in the drive's security controller before the data gets stored on the NAND flash. When the controller or firmware fails, the data that is securely stored in the encryption key becomes inaccessible through the NAND flash.

### • TCG OPAL 2.0 support

SQFlash 650-D series supports standard TCG OPAL 2.0 function for advance Self-Encryption Drive (SED) feature sets. Advantech provides also user friendly interface for setting disk / system bonding to prevent SSD be used in non-authorized platforms, which is called Flash Lock function.

### • Write Protect Function

SQFlash 650-D series default support Write Protect function, when the write protect function enabled, all of the write command will carried to a buffer area without real programming to the Flash IC. Therefore, the data won't be saved in this mode and will be totally discarded upon power shutting down.

### • Hardware GPIO Write Protect (Default set)

HW GPIO Write Protection function is default set on SQF-S25 650. When the pins are opened (or jumper off), all of the write command will be carried to a buffer area without real programming to the Flash IC. So the data won't be saved in this mode and will be totally discarded upon power shutting down.

### • Secure Erase Function (SATA Command)

SQFlash 650-D series supports standard SATA command for secure erase function; when the SSD controller receive the secure erase command, the erase process will reset all blocks and erase all of the user data in the SSD.

### • Sanitize Function (SATA Command)

SQFlash 650-D series default implement Sanitize Device Feature set, which supports the command set of Block Erase, Overwritten and Crypto Scramble. With the internal AES encryption support, the Crypto Scrambel process will start with resetting AES key. By doing so, existing data will be scrambled within 10ms and cannot be recovered anymore. Moreover, erase flag is set when erase function is triggered, which will ensure the whole erase process can be 100% completed. Even there's power interrupt, after power resume, erase operation will be resume right away as well.

### • Crypto Erase

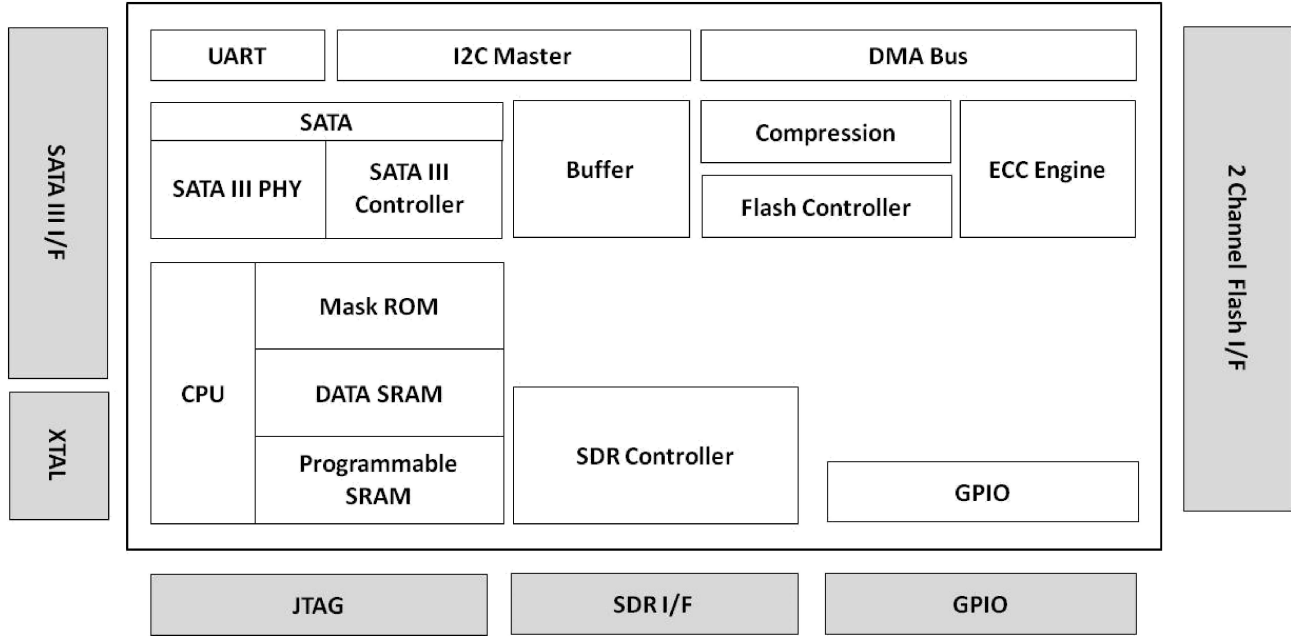
SQFlash Crypto Erase is a security function based on vendor command which can be triggered by

sending ATA Command. When Crypto Erase is activated, it will trim logical to physical table, fill data in it, and then reset the AES key. With this Crypto Erase function, we can ensure original data in SSD inaccessible through the NAND flash.

- **Military Secure Erase**

SQFlash Military Secure Erase is a series of security function based on vendor command which can be triggered by sending ATA Command. Please check Military Secure Erase Whitepaper for detail of each functions: AFSSI 5020, DoD 5220.22-M, USA NAVY NAVSO P-5239-26, NSA Manual 130-2, USA-ARMY 380-19, NISPOMUP Chap 8, Sect.8-501, NSA/CSS 9-12, AFSSI 8580.

## ■ Block Diagram



## ■ LBA value

Density	LBA
64 GB	125,045,424
128 GB	250,069,680
256 GB	500,118,192
512 GB	1,000,215,216
1 TB	2,000,409,264

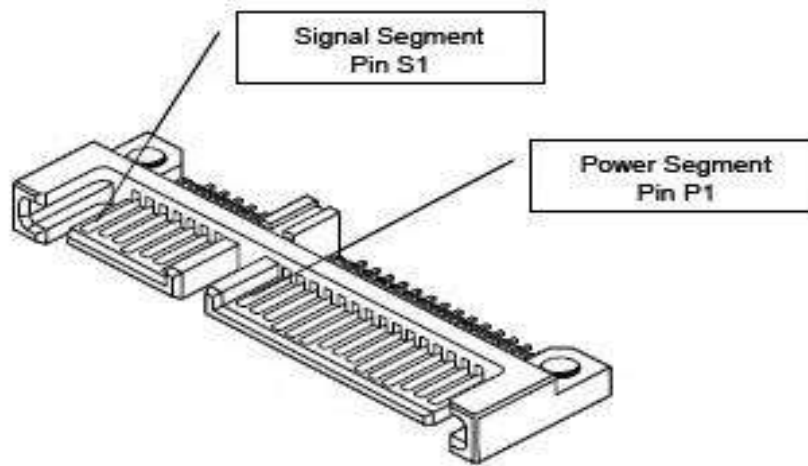
## 5. Pin Assignment and Description

### 5.1 SATA Slim disk module Interface Pin Assignments (Signal Segment)

Pin #	Function	Description
S1	GND	2 <sup>nd</sup> mate
S2	A+	Differential signal pair A
S3	A-	
S4	GND	2 <sup>nd</sup> mate
S5	B-	Differential signal pair B
S6	B+	
S7	GND	2 <sup>nd</sup> mate

### 5.2 SATA Slim disk module Interface Pin Assignments (Power Segment)

Pin #	Function
P1	Not Used (3.3V)
P2	Not Used (3.3V)
P3	DEVSLP
P4	GND
P5	GND
P6	GND
P7	5V Pre-Charge
P8	5V
P9	5V
P10	GND
P11	LED pin
P12	GND
P13	Not Used (12V Pre-Charge)
P14	Not Used (12V)
P15	Not Used (12V)

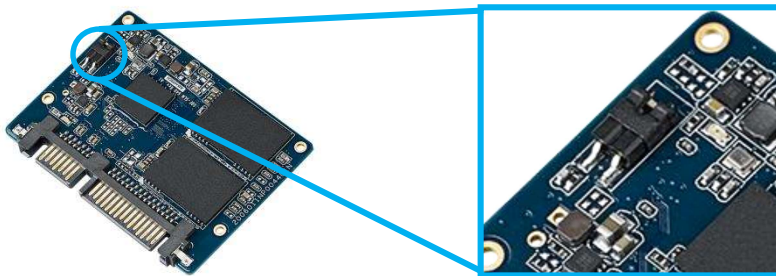


### 5.3 Hardware Jumper Feature Set

The SQFlash 650-D has a 2-pin jumper mounted on the PCB that controls the enable/disable of specific functions. The hardware jumper function setting supports Write Protection by default.

If you would like to set the jumper function as Quick Erase function instead of Write Protect function, please contact Advantech sales representative.

Function	Open/Short	Enabled/Disabled
Write Protect (Default)	Open, jumper off or pull pin to 1.8V.	Enabled
	Short, with jumper.	Disabled.
Quick Erase (Customized)	Open, jumper off or pull pin to 1.8V.	Enabled
	Short, with jumper.	Disabled.



On-board GPIO for Write Protection

### 6. Identify Device Data

The Identify Device Data enables Host to receive parameter information from the device. The parameter words in the buffer have the arrangement and meanings defined in below table. All reserve bits or words are zero

Word	ATA Identify Parameter	Value
0	General configuration bit-significant information	0040h
1	Obsolete	*1
2	Specific configuration	C837h
3	Obsolete	0010h
4-5	Retired	00000000h
6	Obsolete	003Fh
7-8	Reserved for assignment by the Compact Flash Association	00000000h
9	Retired	0000h
10-19	Serial number (20 ASCII characters)	Varies
20-21	Retired	00000000h
22	Obsolete	0000h
23-26	Firmware revision (8 ASCII characters)	Varies
27-46	Model number (xxxxxxx)	Varies
47	7:0- Maximum number of sectors transferred per interrupt on MULTIPLE commands	8010h
48	Trusted Computing feature set options(not support)	4000h
49	Capabilities	2F00h
50	Capabilities	4000h
51-52	Obsolete	000000000h
53	Words 88 and 70:64 valid	0007h
54	Obsolete	*1
55	Obsolete	0010h
56	Obsolete	003Fh
57-58	Obsolete	*2
59	Sanitize and Number of sectors transferred per interrupt on MULTIPLE commands	5D10h
60-61	Maximum number of sector ( 28bit LBA mode)	*3
62	Obsolete	0000h
63	Multi-word DMA modes supported/selected	0407h
64	PIO modes supported	0003h
65	Minimum Multiword DMA transfer cycle time per word	0078h
66	Manufacturer's recommended Multiword DMA transfer cycle time	0078h
67	Minimum PIO transfer cycle time without flow control	0078h
68	Minimum PIO transfer cycle time with IORDY flow control	0078h
69	Additional Supported (support download microcode DMA)	0D00h
70	Reserved	0000h
71-74	Reserved for the IDENTIFY PACKET DEVICE command	0000000000000000h
75	Queue depth	001Fh
76	Serial SATA capabilities	E70Eh
77	Serial ATA Additional Capabilities	0086h
78	Serial ATA features supported	014Ch

79	Serial ATA features enabled	0040h
80	Major Version Number	0FF8h
81	Minor Version Number	0000h
82	Command set supported	706Bh
83	Command set supported	7409h
84	Command set/feature supported extension	6163h
85	Command set/feature enabled	7069h
86	Command set/feature enabled	B401h
87	Command set/feature default	6163h
88	Ultra DMA Modes	007Fh
89	Time required for security erase unit completion	0001h
90	Time required for Enhanced security erase completion	001Eh
91	Current advanced power management value	0000h
92	Master Password Revision Code	FFFEh
93	Hardware reset result. For SATA devices, word 93 shall be set to the value 0000h.	0000h
94	Obsolete	0000h
95	Stream Minimum Request Size	0000h
96	Streaming Transfer Time – DMA	0000h
97	Streaming Access Latency – DMA and PIO	0000h
98-99	Streaming Performance Granularity	0000h
100-103	Maximum user LBA for 48 bit Address feature set	*4
104	Streaming Transfer Time – PIO	0000h
105	Maximum number of 512-byte blocks per DATA SET MANAGEMENT command	0008h
106	Physical sector size/Logical sector size	4000h
107	Inter-seek delay for ISO-7779 acoustic testing in microseconds	0000h
108-111	World Wide Name	Varies
112-115	Reserved	0000000000000000h
116	Reserved	0000h
117-118	Words per logical Sector	00000000h
119	Supported settings	411Ch
120	Command set/Feature Enabled/Supported	401Ch
121-126	Reserved	0h
127	Obsolete	0h
128	Security status	0021h
129-140	Vendor specific	Varies
141	Vendor specific	Varies
142-159	Vendor specific	Varies
160	Reserved for CFA	0h
161-167	Reserved for CFA	0h
168	Device Nominal Form Factor	Varies
169	DATA SET MANAGEMENT command is supported	0001h
170-173	Additional Product Identifier	0h
174-175	Reserved	0h
176-205	Current media serial number	0h
206	SCT Command Transport	0h

207-208	Reserved	0h
209	Alignment of logical blocks within a physical block	4000h
210-211	Write-Read-Verify Sector Count Mode 3 (not support)	0000h
212-213	Write-Read-Verify Sector Count Mode 2 (not support)	0000h
214-216	Obsolete	0000h
217	Non-rotating media device	0001h
218	Reserved	0h
219	NV Cache relate (not support)	0h
220	Write read verify feature set current mode	0h
221	Reserved	0h
222	Transport major version number	10FFh
223	Transport minor version number	0000h
224-229	Reserved	0h
230-233	Extend number of user addressable sectors	0h
234	Minimum number of 512-byte data blocks per DOWNLOAD MICROCODE command for mode 03h	0001h
235	Maximum number of 512-byte data blocks per DOWNLOAD MICROCODE command for mode 03h	FFFEh
236-254	Reserved	0h
255	Integrity word (Checksum and Signature)	XXA5h

Capacity (GB)	*1 (Word 1/Word 54)	*2 (Word 57 – 58)	*3 (Word 60 – 61)	*4 (Word 100 – 103)
64	3FFFh	FBFC10h	7740AB0h	7740AB0h
128	3FFFh	FBFC10h	EE7C2B0h	EE7C2B0h
256	3FFFh	FBFC10h	FFFFFFFFh	1DCF32B0h
512	3FFFh	FBFC10h	FFFFFFFFh	3B9E12B0h
1024	3FFFh	FBFC10h	FFFFFFFFh	773BD2B0h



## 7. ATA Command Set [Command Set List]

Op-Code	Command Description	Op-Code	Command Description
00h	NOP	91h	Initialize Device Parameters
06h	Data Set Management	92h	Download Microcode
10h-1Fh	Recalibrate	93h	Download Microcode DMA
20h	Read Sectors	B0h	SMART
21h	Read Sectors without Retry	B4h	Sanitize
24h	Read Sectors EXT	C4h	Read Multiple
25h	Read DMA EXT	C5h	Write Multiple
29h	Read Multiple EXT	C6h	Set Multiple Mode
2Fh	Read Log EXT	C8h	Read DMA
30h	Write Sectors	C9h	Read DMA without Retry
31h	Write Sectors without Retry	CAh	Write DMA
34h	Write Sectors EXT	CBh	Write DMA without Retry
35h	Write DMA EXT	CEh	Write Multiple FUA EXT
38h	CFA Write Sectors Without Erase	E0h	Standby Immediate
39h	Write Multiple EXT	E1h	Idle Immediate
3Dh	Write DMA FUA EXT	E2h	Standby
3Fh	Write Long EXT	E3h	Idle
40h	Read Verify Sectors	E4h	Read Buffer
41h	Read Verify Sectors without Retry	E5h	Check Power Mode
42h	Read Verify Sectors EXT	E6h	Sleep
44h	Zero EXT	E7h	Flush Cache
45h	Write Uncorrectable EXT	E8h	Write Buffer
47h	Read Log DMA EXT	EAh	Flush Cache EXT
57h	Write Log DMA EXT	ECh	Identify Device
60h	Read FPDMA Queued	EFh	Set Features
61h	Write FPDMA Queued	F1h	Security Set Password
70h-76h	Seek	F2h	Security Unlock
77h	Set Date & Time EXT	F3h	Security Erase Prepare
78h	Accessible Max Address configuration	F4h	Security Erase Unit
79h-7Fh	Seek	F5h	Security Freeze Lock
90h	Execute Device Diagnostic	F6h	Security Disable Password

Note: ND = Non-Data Command  
 PI = PIO Data-In Command  
 PO = PIO Data-Out Command  
 DM = DMA Command  
 DD = Execute Diagnostic Command

**[Command Set Descriptions]****1. CHECK POWER MODE (code: E5h);**

This command allow host to determine the current power mode of the device.

**2. DOWNLOAD MICROCODE (code: 92h);**

This command enables the host to alter the device's microcode. The data transferred using the DOWNLOAD MICROCODE command is vendor specific.

All transfers shall be an integer multiple of the sector size. The size of the data transfer is determined by the content of the LBA Low register and the Sector Count register.

This allows transfer sizes from 0 bytes to 33,553,920 bytes, in 512bytes increments.

**3. EXECUTE DEVICE DIAGNOSTIC (code: 90h);**

This command performs the internal diagnostic tests implemented by the module.

**4. FLUSH CACHE (code: E7h);**

This command used by the host to request the device to flush the write cache.

**5. FLUSH CACHE EXT (code: EAh);**

This command is used by the host to request the device to flush the write cache. If there is data in the write cache, that data shall be written to the media.

**6. IDENTIFY DEVICE (code: ECh);**

The IDENTIFY DEVICE command enables the host to receive parameter information from the module.

**7. IDLE (code: 97h or E3h);**

This command allows the host to place the module in the IDLE mode and also set the Standby timer. INTRQ may be asserted even through the module may not have fully transitioned to IDLE mode. If the Sector Count register is non-"0", then the Standby timer shall be enabled. The value in the Sector Count register shall be used to determine the time programmed into the Standby timer. If the Sector Count register is "0" then the Standby timer is disabled.

**8. IDLE IMMEDIATE (code: E1h);**

This command causes the module to set BSY, enter the Idle (Read) mode, clear BSY and generate an interrupt.

**9. INITIALIZE DEVICE PARAMETERS (code: 91h);**

This command enables the host to set the number of sectors per track and the number of heads per cylinder.

**10. NOP (code: 00h);**

If this command is issued, the module respond with command aborted.

**11. READ BUFFER (code: E4h);**

This command enables the host to read the current contents of the module's sector buffer.

**12. READ DMA (code: C8h or C9h);**

This command reads from "1" to "256" sectors as specified in the Sector Count register using the DMA data transfer protocol. A sector count of "0" requests "256" sectors transfer. The transfer begins at the sector specified in the Sector Number register.

**13. READ DMA Ext (code: 25h);**

This command allows the host to read data using the DMA data transfer protocol.

**14. READ MULTIPLE (code: C4h);**

This command performs similarly to the READ SECTORS command. Interrupts are not generated on each sector, but on the transfer of a block which contains the number of sector per block is defined by the content of word 59 in the IDENTIFY DEVICE response.

**15. READ MULTIPLE EXT (code: 29h);**

This command performs similarly to the READ SECTORS command. The number of sectors per block is defined by a successful SET MULTIPLE command. If no successful SET MULTIPLE command has been issued, the block is defined by the device's default value for number of sectors per block as defined in bits (7:0) in word 47 in the IDENTIFY DEVICE information.

**16. READ NATIVE MAX ADDRESS (code: F8h);**

This command returns the native maximum address. The native maximum address is the highest address accepted by the device in the factory default condition.

**17. READ NATIVE MAX ADDRESS EXT (code: 27h);**

This command returns the native maximum address.

**18. READ SECTOR(S) (code: 20h or 21h);**

This command reads from "1" to "256" sectors as specified in the Sector Count register. A sector count of "0" requests "256" sectors transfer. The transfer begins at the sector specified in the Sector Number register.

**19. READ SECTOR(S) EXT (code: 24h);**

This command reads from "1" to "65536" sectors as specified in the Sector Count register. A sector count of "0" requests "65536" sectors transfer. The transfer begins at the sector specified in the Sector Number register.

**20. READ VERIFY SECTOR(S) (code: 40h or 41h);**

This command is identical to the READ SECTORS command, except that DRQ is never set and no data is transferred to the host.

**21. READ VERIFY SECTOR(S) EXT (code: 42h);**

This command is identical to the READ SECTORS command, except that DRQ is never set and no data is transferred to the host.

**22. RECALIBRATE (code: 1Xh);**

This command returns value is select address mode by the host request.

**23. SECURITY DISABLE PASSWORD (code: F6h);**

This command transfers 512 bytes of data from the host. Table defines the content of this information. If the password selected by word 0 match the password previously saved by the device, the device shall disable the Lock mode. This command shall not change the Master password. The Master password shall be reactivated when a User password is set.

**24. SECURITY ERASE PREPARE (code: F3h);**

This command shall be issued immediately before the SECURITY ERASE UNIT command to enable device erasing and unlocking.

**25. SECURITY ERASE UNIT (code: F4h);**

This command transfers 512 bytes of data from the host. Table## defines the content of this information. If the password does not match the password previously saved by the device, the device shall reject the command with command aborted.

The SECURITY ERASE PREPARE command shall be completed immediately prior to the SECURITY ERASE UNIT command.

**26. SECURITY FREEZE LOCK (code: F5h);**

This command shall set the device to frozen mode. After command completion any other commands that update the device Lock mode shall be command aborted. Frozen shall be disabled by power-off or hardware reset.

If SECURITY FREEZE LOCK is issued when the drive is in frozen mode, the drive executes the command and remains in frozen mode.

**27. SECURITY SET PASSWORD (code: F1h);**

This command transfers 512 bytes of data from the host. Table defines the content of this information.

The data transferred controls the function of this command. Table defines the interaction of the identifier and security level bits.

**28. SECURITY UNLOCK (code: F2h);**

This command transfers 512 bytes of data from the host. Table (as Disable Password) defines the content of this information.

If the Identifier bit is set to Master and the device is in high security level, then the password supplied shall be compared with the stored Master password. If the device is in maximum security level then the unlock shall be rejected.

If the identifier bit is set to user then the device shall compare the supplied password with the stored User password.

If the password compare fails then the device shall return command aborted to the host and decrements the unlock counter. This counter shall be initially set to five and shall be decremented for each password mismatch when SECURITY UNLOCK is issued and the device is locked. When this counter reaches zero then SECURITY UNLOCK and SECURITY ERASE UNIT command shall be aborted until a power-on or a hardware reset.

**29. SEEK (code: 7Xh);**

This command performs address range check.

**30. SET MAX ADDRESS (code: F9h);**

After successful command completion, all read and write access attempts to address greater than specified by the successful SET MAX ADDRESS command shall be rejected with an IDNF error.

IDENTIFY DEVICE response words (61:60) shall reflect the maximum address set with this command.

**31. SET MAX ADDRESS EXT (code: 37h);**

After successful command completion, all read and write access attempts to address greater than specified by the successful SET MAX ADDRESS command shall be rejected with an IDNF error.

IDENTIFY DEVICE response words (61:60) shall reflect the maximum address set with this command.

**32. SET FEATURE (code: EFh);**

This command is used by the host to establish parameters that affect the execution of certain device features.

**33. SET MULTIPLE MODE (code: C6h);**

This command enables the device to perform READ and Write Multiple operations and establishes the block count for these commands.

**34. SLEEP (code: 99h or E6h);**

This command causes the module to set BSY, enter the Sleep mode, clear BSY and generate an interrupt.

**35. SMART READ DATA (code: B0h with Feature register value of D0h);**

This command returns the Device SMART data structure to the host.

- 36. SMART ENABLE/DISABLE AUTO SAVE (code: B0h with Feature register value of D2h);**  
This command enables and disables the optional attribute autosave feature of the device.
- 37. SMART EXECUTE OFF\_LINE (code: B0h with Feature register value of D4h);**  
This command causes the device to immediately initiate the optional set of activities that collect SMART data in an off-line mode and then save this data to the device's non-volatile memory, or execute a self-diagnostic test routine in either captive or off-line mode.
- 38. SMART READ LOG (code: B0h with Feature register value of D5h);**  
This command returns the specified log data to the host.
- 39. SMART ENABLE OPERATION (code: B0h with Feature register value of D8h);**  
This command enables access to all SMART capabilities within the device. Prior to receipt of this command SMART data are neither monitored nor saved by the device.
- 40. SMART DISABLE OPERATION (code: B0h with Feature register value of D9h);**  
This command disables all SMART capabilities within the device including any and all timer and event count functions related exclusively to this feature. After command acceptance the device shall disable all SMART operations.  
After receipt of this command by the device, all other SMART commands including SMART DISABLE OPERATION commands, with exception of SMART ENABLE OPERATIONS, are disabled and invalid and shall be command aborted by the device.
- 41. SMART RETURN STATUS (code: B0h with Feature register value of DAh);**  
This command causes the device to communicate the reliability status of the device to the host.
- 42. STANDBY (code: E2h);**  
This command causes the module to set BSY, enter the Standby mode, clear BSY and return the interrupt immediately.
- 43. STANDBY IMMEDIATE (code: E0h);**  
This command causes the module to set BSY, enter the Standby mode, clear BSY and return the interrupt immediately.
- 44. WRITE BUFFER (code: E8h);**  
This command enables the host to overwrite contents of the module's sector buffer with any data pattern desired.
- 45. WRITR DMA (code: CAh or CBh);**  
This command writes from "1" to "256" sectors as specified in the Sector Count register using the DMA data transfer protocol. A sector count of "0" requests "256" sectors transfer. The transfer begins at the sector specified in the Sector Number register.
- 46. WRITR DMA EXT (code: 35h);**  
This command writes from "1" to "65536" sectors as specified in the Sector Count register using the DMA data transfer protocol. A sector count of "0" requests "65536" sectors transfer. The transfer begins at the sector specified in the Sector Number register.
- 47. WRITE MULTIPLE (code: C5h);**  
This command is similar to the WRITE SECTORS command. Interrupts are not presented on each sector, but on the transfer of a block which contains the number of sectors defined by Set Multiple command.
- 48. WRITE MULTIPLE EXT (code: 39h);**  
This command is similar to the WRITE SECTORS command. Interrupts are not presented on each sector, but on the transfer of a block which contains the number of sectors defined by Set Multiple command.

**49. WRITE SECTOR(S) (code: 30h);**

This command writes from “1” to “256” sectors as specified in the Sector Count register. A sector count of “0” requests “256” sectors transfer. The transfer begins at the sector specified in the Sector Number register.

**50. WRITE SECTOR(S) EXT (code: 34h);**

This command writes from “1” to “65536” sectors as specified in the Sector Count register. A sector count of “0” requests “65536” sectors transfer. The transfer begins at the sector specified in the Sector Number register.

**51. WRITE SECTOR(S) W/O ERASE (code: 38h);**

This command writes from “1” to “256” sectors as specified in the Sector Count register. A sector count of “0” requests “256” sectors transfer. The transfer begins at the sector specified in the Sector Number register.

**52. WRITE VERIFY (code: 3Ch);**

This command is similar to the WRITE SECTOR(S) command, except that each sector is verified before the command is completed.

### 8. System Power Consumption

#### 8.1 Supply Voltage

Parameter	Rating
Operating Voltage	5V

#### 8.2 Power Consumption

(mW)		Read	Write	Idle	Slumber
3D TLC (BiCS5)	64 GB	TBC	TBC	TBC	TBC
	128 GB	1150	1200	250	30
	256 GB	1150	1350	250	30
	512 GB	1250	1550	250	30
	1 TB	1350	1750	250	30







**Appendix: Part Number Table**

Product	Advantech PN
SQF SATA Slim 650-D 64G 3D TLC (BiCS5) (0~70°C)	SQF-SLMV1-64GDSDC
SQF SATA Slim 650-D 128G 3D TLC (BiCS5) (0~70°C)	SQF-SLMV2-128GDSDC
SQF SATA Slim 650-D 256G 3D TLC (BiCS5) (0~70°C)	SQF-SLMV2-256GDSDC
SQF SATA Slim 650-D 512G 3D TLC (BiCS5) (0~70°C)	SQF-SLMV2-512GDSDC
SQF SATA Slim 650-D 1T 3D TLC (BiCS5) (0~70°C)	SQF-SLMV4-1TDSDC
SQF SATA Slim 650-D 64G 3D TLC (BiCS5) (-20~85°C)	SQF-SLMV1-64GDSDM
SQF SATA Slim 650-D 128G 3D TLC (BiCS5) (-20~85°C)	SQF-SLMV2-128GDSDM
SQF SATA Slim 650-D 256G 3D TLC (BiCS5) (-20~85°C)	SQF-SLMV2-256GDSDM
SQF SATA Slim 650-D 512G 3D TLC (BiCS5) (-20~85°C)	SQF-SLMV2-512GDSDM
SQF SATA Slim 650-D 1T 3D TLC (BiCS5) (-20~85°C)	SQF-SLMV4-1TDSDM
SQF SATA Slim 650-D 64G 3D TLC (BiCS5) (-40~85°C)	SQF-SLMV1-64GDSDE
SQF SATA Slim 650-D 128G 3D TLC (BiCS5) (-40~85°C)	SQF-SLMV2-128GDSDE
SQF SATA Slim 650-D 256G 3D TLC (BiCS5) (-40~85°C)	SQF-SLMV2-256GDSDE
SQF SATA Slim 650-D 512G 3D TLC (BiCS5) (-40~85°C)	SQF-SLMV2-512GDSDE
SQF SATA Slim 650-D 1T 3D TLC (BiCS5) (-40~85°C)	SQF-SLMV4-1TDSDE