

**2.5" SATA SSD 840-D**  
**Datasheet**  
**(SQF-S25xx-xxxDSCx)**

**CONTENTS**

<b>Safety Instructions .....</b>	<b>4</b>
<b>Consignes de sécurité .....</b>	<b>4</b>
<b>1. Overview .....</b>	<b>6</b>
<b>2. Features .....</b>	<b>7</b>
<b>3. Specification Table .....</b>	<b>8</b>
<b>4. General Description .....</b>	<b>10</b>
<b>5. Pin Assignment and Description .....</b>	<b>14</b>
5.1 2.5" SATA-SSD Interface Pin Assignments (Signal Segment).....	14
5.2 2.5" SATA-SSD Interface Pin Assignments (Power Segment).....	14
5.3 Hardware Jumper Feature Set .....	15
<b>6. Identify Device Data .....</b>	<b>16</b>
<b>7. ATA Command Set .....</b>	<b>19</b>
<b>8. System Power Consumption .....</b>	<b>26</b>
8.1 Supply Voltage .....	26
8.2 Power Consumption .....	26
<b>9. Physical Dimension .....</b>	<b>27</b>
<b>Appendix: Part Number Table .....</b>	<b>29</b>

### Revision History

Rev.	Date	History
1.0	2021/12/3	1. Preliminary
1.1	2022/1/3	1. Update Physical Dimension
1.2	2022/1/27	1. Update 240GB estimated performance
1.3	2022/3/18	1. Update description of hardware jumper feature set
1.4	2022/5/12	1. Update measured performance (with SLC Cache on) 2. Add I-Temp PNs
1.5	2022/8/11	1. Add sTLC PNs
1.6	2022/8/29	1. Update Sanitize command description and ATA Command Set
1.7	2022/9/14	1. Update sTLC endurance (TeraByte Written) estimate
1.8	2022/9/21	1. Update sTLC performance, endurance (TeraByte Written) and power consumption measured data
1.9	2022/10/21	1. Update description of Advanced Device Security Features
1.10	2022/11/10	1. Add 15.3TB spec.
1.11	2023/3/14	1. Correct wording at 3D sTLC endurance

*Advantech reserves the right to make changes without further notice to any products or data herein to improve reliability, function, or design. Information furnished by Advantech is believed to be accurate and reliable. However, Advantech does not assure any liability arising out of the application or use of this information, nor the application or use of any product or circuit described herein, neither does it convey any license under its patent rights nor the rights of others.*

*Copyright © 1983-2022 Advantech Co., Ltd. All rights reserved.*

**Safety Instructions**

1. Read these safety instructions carefully.
2. Keep this User Manual for later reference.
3. Disconnect this equipment from any AC outlet before cleaning. Use a damp cloth. Do not use liquid or spray detergents for cleaning.
4. For plug-in equipment, the power outlet socket must be located near the equipment and must be easily accessible.
5. Keep this equipment away from humidity.
6. Put this equipment on a reliable surface during installation. Dropping it or letting it fall may cause damage.
7. The openings on the enclosure are for air convection. Protect the equipment from overheating. **DO NOT COVER THE OPENINGS.**
8. Make sure the voltage of the power source is correct before connecting the equipment to the power outlet.
9. Position the power cord so that people cannot step on it. Do not place anything over the power cord.
10. All cautions and warnings on the equipment should be noted.
11. If the equipment is not used for a long time, disconnect it from the power source to avoid damage by transient overvoltage.
12. Never pour any liquid into an opening. This may cause fire or electrical shock.
13. Never open the equipment. For safety reasons, the equipment should be opened only by qualified service personnel.
14. If one of the following situations arises, get the equipment checked by service personnel:
  - The power cord or plug is damaged.
  - Liquid has penetrated the equipment.
  - The equipment has been exposed to moisture.
  - The equipment does not work well, or you cannot get it to work according to the user's manual.
  - The equipment has been dropped and damaged.
  - The equipment has obvious signs of breakage.
15. **DO NOT LEAVE THIS EQUIPMENT IN AN ENVIRONMENT WHERE THE STORAGE TEMPERATURE MAY GO BELOW -20° C (-4° F) OR ABOVE 60° C (140° F). THIS COULD DAMAGE THE EQUIPMENT. THE EQUIPMENT SHOULD BE IN A CONTROLLED ENVIRONMENT.**
16. **CAUTION: DANGER OF EXPLOSION IF BATTERY IS INCORRECTLY REPLACED. REPLACE ONLY WITH THE SAME OR EQUIVALENT TYPE RECOMMENDED BY THE MANUFACTURER, DISCARD USED BATTERIES ACCORDING TO THE MANUFACTURER'S INSTRUCTIONS.**

**Consignes de sécurité**

1. Lisez attentivement ces instructions de sécurité.
2. Conservez ce manuel pour référence ultérieure.
3. Débranchez cet appareil de toute prise secteur avant le nettoyage. Utilisez un chiffon humide. Ne pas utiliser de détergents liquides ou en aérosol pour le nettoyage
4. Pour les équipements enfichables, la prise de courant doit être située près de l'équipement et doit être facilement accessible.
5. Gardez cet équipement à l'abri de l'humidité.
6. Placez cet équipement sur une surface fiable lors de l'installation. Le laisser tomber ou le laisser tomber peut causer des dommages.
7. Les ouvertures sur l'enceinte sont destinées à la convection de l'air. Protégez l'équipement de la surchauffe. **NE COUVREZ PAS LES OUVERTURES.**
8. Assurez-vous que la tension de la source d'alimentation est correcte avant de connecter l'équipement à la prise de courant.
9. Positionnez le cordon d'alimentation de sorte que personne ne puisse marcher dessus. Ne placez rien sur le cordon d'alimentation.
10. Toutes les mises en garde et avertissements sur l'équipement doivent être notés..
11. Si l'appareil n'est pas utilisé pendant une longue période, débranchez-le de la source d'alimentation pour éviter tout dommage dû à une surtension transitoire.
12. Ne jamais verser de liquide dans une ouverture. Cela pourrait provoquer un incendie ou un choc électrique.
13. N'ouvrez jamais l'équipement. Pour des raisons de sécurité, l'équipement ne doit être ouvert que par du personnel qualifié.
14. Si l'une des situations suivantes se produit, faites vérifier l'équipement par le personnel de service:!
  - Le cordon d'alimentation ou la fiche est endommagé Liquid has penetrated the equipment.
  - L'équipement a été exposé à l'humidité.
  - L'équipement ne fonctionne pas bien ou vous ne pouvez pas le faire fonctionner conformément au manuel d'utilisation..
  - L'équipement est tombé et endommagé..
  - L'équipement présente des signes évidents de rupture.
15. **NE PAS LAISSER CET APPAREIL DANS UN ENVIRONNEMENT O LA TEMPÉRATURE DE STOCKAGE PEUT ÊTRE INFÉRIEURE À -20 ° C (-4 ° F) OU SUPÉRIEURE À 60 ° C (140 ° F). CELA POURRAIT ENDOMMAGER L'ÉQUIPEMENT. L'ÉQUIPEMENT DOIT ÊTRE DANS UN ENVIRONNEMENT CONTRÔLÉ.**
16. **ATTENTION: DANGER D'EXPLOSION EN CAS DE REMPLACEMENT INCORRECT DE LA PILE. REMPLACEZ UNIQUEMENT AVEC LE MÊME TYPE OU LE TYPE ÉQUIVALENT RECOMMANDÉ PAR LE FABRICANT, DÉJETTEZ LES PILES UTILISÉES SELON LES**

INSTRUCTIONS DU FABRICANT.

## 1. Overview

Advantech SQFlash 840-D series 2.5" SATA-SSD (SQF-S25 840-D) delivers all the advantages of Flash Disk technology with the Serial ATA III (6.0Gb) interface, fully compliant with standard 2.5-inch form factor. The SATA SSD is based on a standard SATA 7-pin interface for data segment and 15-pin for power segment, designed to operate at a maximum operating frequency of 300MHz with 30MHz external crystal. Its capacity could provide a wide range up to 15.3TB, and sTLC(Pseudo SLC) capacity up to 2TB. Moreover, it can reach up to 550MB/s read and 530MB/s write high performance based on 3D TLC Flash.

## 2. Features

### ■ Standard SATA interface

- Support SATA 1.5/3.0/6.0 Gbps interface
- SATA Revision 3.2 compliant

### ■ Operating Voltage : 5V

### ■ Support LDPC with RAID ECC

### ■ TRIM 、 AHCI supported

### ■ AES256, Opal and Hardware Write Protect supported

### ■ Voltage Stabilizer supported

### ■ Temperature Ranges

- Commercial Temperature
  - 0°C to 70°C for operating<sup>1</sup>
  - -40°C to 85°C for storage
- Industrial Temperature
  - -40°C to 85°C for operating<sup>1</sup>
  - -40°C to 85°C for storage

<sup>1</sup>Note 1: Based on SMART Attribute C2h measured by thermal sensor.

### ■ Mechanical Specification

- Shock : 1,500G / 0.5ms
- Vibration : 20G / 80~2,000Hz

### ■ Humidity

- Humidity : Up to 95% under 40°C

### ■ Acquired RoHS 、 WHQL 、 CE 、 FCC Certificate

### ■ Acoustic : 0 dB

### ■ Dimension : 100 mm x 69.85 mm x 7 mm

### 3. Specification Table

■ **Performance**

3D TLC (BiCS5)	Sequential Performance (MB/sec)		Random Performance (IOPS @4K)	
	Read	Write	Read	Write
240 GB	559	538	94,961	89,377
480 GB	559	539	97,986	89,562
960 GB	559	540	98,234	89,824
1920 GB	559	540	99,019	90,146
3840 GB	559	539	98,291	89,735
7680 GB	560	537	99,033	89,917
15360 GB	560	523	98,721	88,208

3D sTLC (BiCS5)	Sequential Performance (MB/sec)		Random Performance (IOPS @4K)	
	Read	Write	Read	Write
60 GB	557	535	94,726	88,873
120 GB	559	536	98,027	89,107
240 GB	560	540	99,346	90,685
480 GB	560	539	98,839	89,649
960 GB	558	539	98,946	90,106
1920 GB	558	534	98,523	89,158

NOTES:

1. The performance was estimated based on Kioxia 3D TLC BICS5 flash.
2. Performance may differ according to flash configuration and platform.
3. The table above is for reference only. The criteria for MP (mass production) and for accepting goods shall be discussed based on different flash configuration



### ■ Endurance

JEDEC defined an endurance rating TBW (Terabytes Written), following by the equation below, for indicating the number of terabytes a SSD can be written which is a measurement of SSDs' expected lifespan, represents the amount of data written to the device.

$$\text{TBW} = [(\text{NAND Endurance}) \times (\text{SSD Capacity})] / \text{WAF}$$

- **NAND Endurance:** Program / Erase cycle of a NAND flash.
  - 3D TLC (BiCS5): 3,000 cycles
  - 3D sTLC (BiCS5): 50,000 cycles
- **SSD Capacity:** SSD physical capacity in total of a SSD.
- **WAF:** Write Amplification Factor (WAF), as the equation shown below, is a numerical value representing the ratio between the amount of data that a SSD controller needs to write and the amount of data that the host's flash controller writes. A better WAF, which is near to 1, guarantees better endurance and lower frequency of data written to flash memory.

$$\text{WAF} = (\text{Lifetime write to flash}) / (\text{Lifetime write to host})$$

- **Endurance measurement is based on New JEDEC 219 Client Workload and verified with following workload conditions,**

- PreCond%full = 100%
- Trim commands enabled
- Random data pattern.

3D TLC (BiCS5)	WAF	TBW	DWPD*
240 GB	2.60	300	1.14
480 GB	2.10	700	1.33
960 GB	2.00	1590	1.51
1920 GB	1.85	3260	1.55
3840 GB	1.75	7000	1.66
7680 GB	1.75	14000	1.66
15360 GB	1.80	27000	1.61

3D sTLC (BiCS5)	WAF	TBW	DWPD*
60 GB	1.4	3200	48.71
120 GB	1.3	6600	50.23
240 GB	1.30	13400	50.99
480 GB	1.30	26000	49.47
960 GB	1.30	52500	49.94
1920 GB	1.30	105000	49.94

\* Endurance of 1 drive writes per day (DWPD) for 3 years

## 4. General Description

### ■ Error Correction Code (ECC)

Flash memory cells will deteriorate with use, which might generate random bit errors in the stored data. Thus, SQFlash 840-D series SSD applies the LDPC with RAID ECC algorithm, which can detect and correct errors occur during read process, ensure data being read correctly, as well as protect data from corruption.

### ■ Wear Leveling

NAND flash devices can only undergo a limited number of program/erase cycles, and in most cases, the flash media are not used evenly. If some areas get updated more frequently than others, the lifetime of the device would be reduced significantly. Thus, Wear Leveling is applied to extend the lifespan of NAND Flash by evenly distributing write and erase cycles across the media.

SQFlash provides advanced Wear Leveling algorithm, which can efficiently spread out the flash usage through the whole flash media area. Moreover, by implementing both dynamic and static Wear Leveling algorithms, the life expectancy of the NAND flash is greatly improved.

### ■ Bad Block Management

Bad blocks are blocks that include one or more invalid bits, and their reliability is not guaranteed. Blocks that are identified and marked as bad by the manufacturer are referred to as "Initial Bad Blocks". Bad blocks that are developed during the lifespan of the flash are named "Later Bad Blocks". SQFlash implements an efficient bad block management algorithm to detect the factory-produced bad blocks and manages any bad blocks that appear with use. This practice further prevents data being stored into bad blocks and improves the data reliability.

### ■ Power Loss Protection

#### – Flush Manager

Power Loss Protection is a mechanism to prevent data loss during unexpected power failure. DRAM is a volatile memory and frequently used as temporary cache or buffer between the controller and the NAND flash to improve the SSD performance. However, one major concern of the DRAM is that it is not able to keep data during power failure. Accordingly, SQFlash SSD applies the Flush Manager technology, only when the data is fully committed to the NAND flash will the controller send acknowledgement (ACK) to the host. Such implementation can prevent false-positive performance and the risk of power cycling issues.

In addition, it is critical for a controller to shorten the time the in-flight data stays in the controller internal cache. Thus, SQFlash applies an algorithm to reduce the amount of data resides in the cache to provide a better performance. With Flush Manager, incoming data would only have a "pit stop" in the cache and then move to NAND flash directly. Also, the onboard DDR will be treated as an "organizer" to consolidate incoming data into groups before written into the flash to improve write amplification.

#### – Voltage Stabilizer

While the built-in voltage detector detects an unstable power input ( $< 4.75\text{ V}$  or  $> 5.25\text{ V}$ ), the controller will issue a power failure interrupt and force a Flush CMD first. At the same time, the whole internal power supply will be switched to Voltage Stabilizer immediately to ensure stable power is supplied throughout the whole drive. This ensures the Flash IC and DDR IC will not operate with unstable power which could lead to data errors or bad data integrity.

### ■ TRIM

TRIM is a feature which helps improve the read/write performance and speed of solid-state drives (SSD). Unlike hard disk drives (HDD), SSDs are not able to overwrite existing data, so the available space gradually becomes smaller with each use. With the TRIM command, the operating system can inform the SSD which blocks of data are no longer in use and can be removed permanently. Thus, the SSD will perform the erase action, which prevents unused data from occupying blocks all the time.

## ■ SMART

SMART, an acronym for Self-Monitoring, Analysis and Reporting Technology, is an open standard that allows a hard disk drive to automatically detect its health and report potential failures. When a failure is recorded by SMART, users can choose to replace the drive to prevent unexpected outage or data loss. Moreover, SMART can inform users of impending failures while there is still time to perform proactive actions, such as copy data to another device.

## ■ Over-Provision

Over Provisioning refers to the inclusion of extra NAND capacity in a SSD, which is not visible and cannot be used by users. With Over Provisioning, the performance and IOPS (Input / Output Operations per Second) are improved by providing the controller additional space to manage P/E cycles, which enhances the reliability and endurance as well. Moreover, the write amplification of the SSD becomes lower when the controller writes data to the flash.

## ■ Thermal Throttling

Thermal Throttling function is for protecting the drive and reducing the possibility of read / write error due to overheat. The temperature is monitored by the thermal sensor. As the operating temperature continues to increase to threshold temperature, the Thermal Throttling mechanism is activated. At this time, the performance of the drive will be significantly decreased to avoid continuous heating. When the operating temperature falls below threshold temperature, the drive can resume to normal operation.

## ■ Advanced Device Security Features

### • Advanced Encryption Standard (AES)

An AES 256-bit encryption key is generated in the drive's security controller before the data gets stored on the NAND flash. When the controller or firmware fails, the data that is securely stored in the encryption key becomes inaccessible through the NAND flash.

### • TCG OPAL 2.0 support

SQFlash 840-D series supports standard OPAL 2.0 function for advance Self-Encryption Drive (SED) feature sets. Advantech provides also user friendly interface for setting disk / system bonding to prevent SSD be used in non-authorized platforms, which is called Flash Lock function.

### • Secure Erase Function (SATA Command)

SQFlash 840-D series supports standard SATA command for secure erase function; when the SSD controller receive the secure erase command, the erase process will reset all blocks and erase all of the user data in the SSD.

### • Sanitize Function (SATA Command)

SQFlash 840-D series implements Sanitize command sets by default and supports Block Erase, Crypto Scramble, Overwrite and other related commands. With internal AES encryption support, Crypto Scramble starts with resetting AES key. In this way, the existing data will be scrambled within 10ms and can no longer be recovered. Also, the erase flag is set when the erase function is triggered, which will ensure the entire erase process can be 100% completed. Even if there's power outage, the erase operation will resume as soon as power is restored.

(Note) Crypto Scramble needs to be done with the TCG OPAL 2.0 setting enabled.

### • Write Protect Function

SQFlash 840-D series default support Write Protect function, when the write protect function enabled, all of the write command will carried to a buffer area without real programming to the Flash IC. Therefore, the data won't be saved in this mode and will be totally discarded upon power shutting down.

### • Crypto Erase

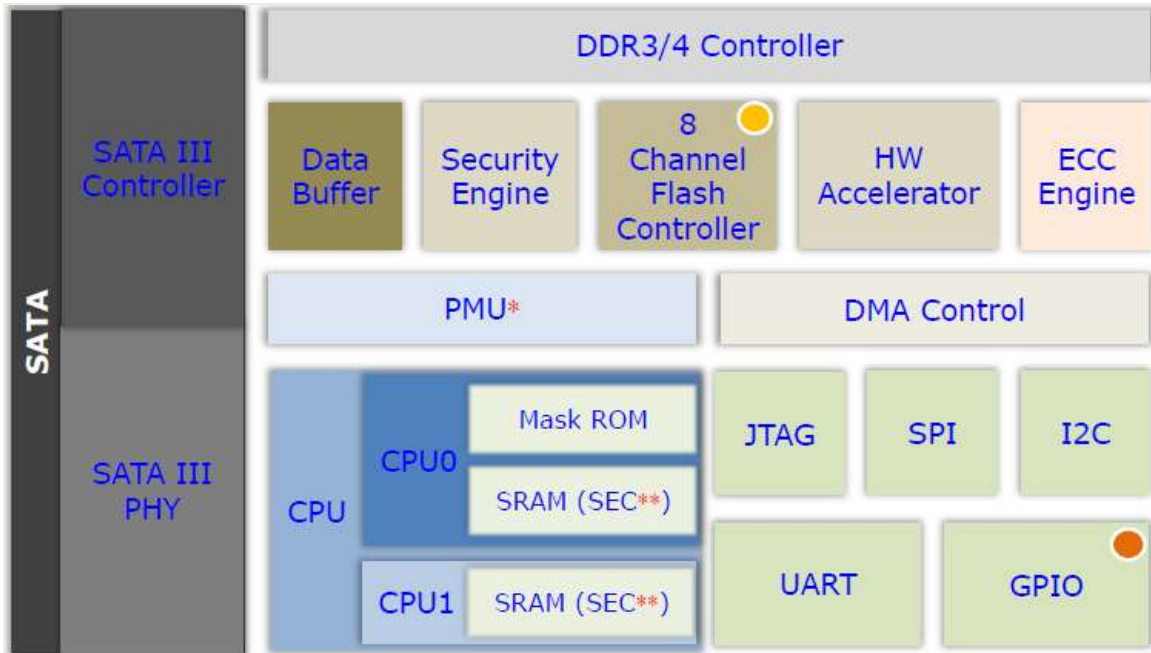
SQFlash Crypto Erase is a security function based on vendor command which can be triggered by

sending ATA Command. When Crypto Erase is activated, it will trim logical to physical table, fill data in it, and then reset the AES key. With this Crypto Erase function, we can ensure original data in SSD inaccessible through the NAND flash.

- **Military Secure Erase**

SQFlash Military Secure Erase is a series of security function based on vendor command which can be triggered by sending ATA Command. Please check Military Secure Erase Whitepaper for detail of each functions: AFSSI 5020, DoD 5220.22-M, USA NAVY NAVSO P-5239-26, NSA Manual 130-2, USA-ARMY 380-19, NISPOMUP Chap 8, Sect.8-501, NSA/CSS 9-12, AFSSI 8580.

### ■ Block Diagram



### ■ LBA value

Density	LBA
60 GB	117,231,408
120 GB	234,441,648
240 GB	468,862,128
480 GB	937,703,088
960 GB	1,875,385,008
1920 GB	3,750,748,848
3840 GB	7,501,476,528
7680 GB	15,002,931,888
15360 GB	30,005,842,608

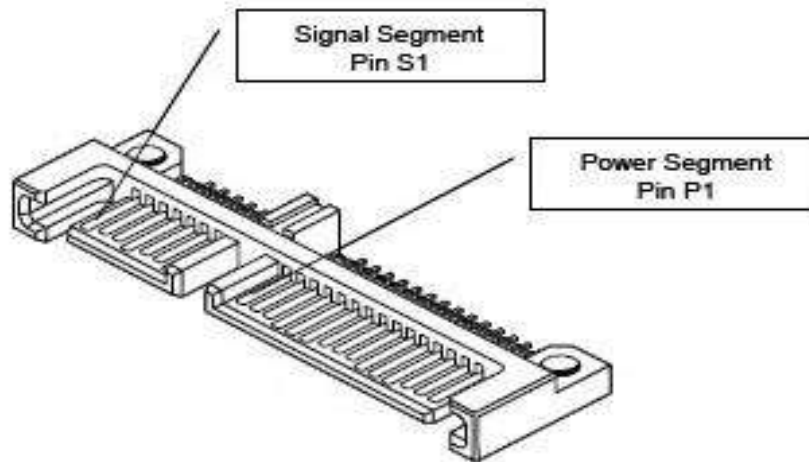
### 5. Pin Assignment and Description

#### 5.1 2.5" SATA-SSD Interface Pin Assignments (Signal Segment)

Pin #	Function	Description
S1	GND	2 <sup>nd</sup> mate
S2	A+	Differential signal pair A
S3	A-	
S4	GND	2 <sup>nd</sup> mate
S5	B-	Differential signal pair B
S6	B+	
S7	GND	2 <sup>nd</sup> mate

#### 5.2 2.5" SATA-SSD Interface Pin Assignments (Power Segment)

Pin #	Function
P1	Not Used (3.3V)
P2	Not Used (3.3V)
P3	Not Used (3.3V Pre-Charge)
P4	GND
P5	GND
P6	GND
P7	5V Pre-Charge
P8	5V
P9	5V
P10	GND
P11	LED pin
P12	GND
P13	Not Used (12V Pre-Charge)
P14	Not Used (12V)
P15	Not Used (12V)



### 5.3 Hardware Jumper Feature Set

The SQFlash 840-D has a 4-pin jumper mounted on the PCB that controls the enable/disable of specific functions. The hardware jumper function setting supports Write Protection by default.

If you would like to set the jumper function as Crypto Erase function instead of Write Protect function, please contact Advantech sales representative.

Function	Pin	Open/Short	Enabled/Disabled
Write Protect (Default)	2-3	Open, jumper off or pull pin to 1.8V.	Enabled
		Short, with jumper.	Disabled.
Crypto Erase (Customized)	1-2	Open, jumper off or pull pin to 1.8V.	Enabled
		Short, with jumper.	Disabled.



### 6. Identify Device Data

The Identify Device Data enables Host to receive parameter information from the device. The parameter words in the buffer have the arrangement and meanings defined in below table. All reserve bits or words are zero

Word	ATA Identify Parameter	Value
0	General configuration	0040h
1	Number of cylinders in the default CHS translation	3FFh
2	Specific configuration	C837h
3	Number of heads in the default CHS translation	0010h
4-5	Retired	0000h
6	Number of sectors per track in the default CHS translation	003Fh
7-8	Reserved for the CFA	0000h
9	Obsolete	0000h
10-19	Serial number	ASCII
20	Retired	0000h
21	Retired	0000h
22	Obsolete	0000h
23-26	Firmware revision	ASCII
27-46	Model number	ASCII
47	READ/WRITE MULTIPLE commands function	8010h
48	Trusted Computing feature set options	4000h
49	Capabilities	2F00h
50	Capabilities	4000h
51-52	Obsolete	0000h
53	field validity	0007h
54	Number of cylinders in the current CHS translation	3FFh
55	Number of heads in the current CHS translation	0010h
56	Number of sectors per track in the current CHS translation	003Fh
57-58	Current capacity in sectors	00FBFC10h
59	Multiple sector setting	0110h
60-61	Total number of user addressable logical sectors for 28-bit commands	*3
62	Obsolete	0000h
63	Multiword DMA modes	0407h
64	PIO mode supported	0003h
65	Minimum Multiword DMA transfer cycle time per word	0078h
66	Manufacturer's recommended Multiword DMA transfer cycle time	0078h
67	Minimum PIO transfer cycle time without flow control	0078h
68	Minimum PIO transfer cycle time with IORDY flow control	0078h
69	Additional Supported	5F20h
70-73	Reserved	0000h
74	Reserved	0000h
75	Queue depth	001Fh
76	Serial ATA Capabilities	E70Eh
77	Supported Serial ATA Phy speed	0006/0004/0002h
78	Serial ATA features supported	054Ch



79	Serial ATA features enabled	0040h
80	Major version number	03F8h
81	Minor version number	0000h
82	Commands and feature sets supported	746Bh
83	Commands and feature sets supported	7D09h
84	Commands and feature sets supported	4163h
85	Commands and feature sets supported or enabled	7469h
86	Commands and feature sets supported or enabled	BC09h
87	Commands and feature sets supported or enabled	4163h
88	Ultra DMA modes	007Fh
89	Time required for Normal Erase mode SECURITY ERASE UNIT command	0001h
90	Time required for an Enhanced Erase mode SECURITY ERASE UNIT command	0001h
91	Current APM level value	00FEh
92	Master Password Identifier	FFFEh
93	Hardware reset result	0000h
94	Current AAM value	0000h
95	Stream Minimum Request Size	0000h
96	Streaming Transfer Time - DMA	0000h
97	Streaming Access Latency -DMA and PIO	0000h
98-99	Streaming Performance Granularity	0000h
100-103	Total Number of User Addressable Logical Sectors for 48-bit commands	*4
104	Streaming Transfer Time - PIO	0000h
105	Maximum number of 512-byte blocks of LBA Range Entries per DATA SET MANAGEMENT command	0008h
106	Physical sector size / logical sector size	4000h
107	Inter-seek delay for ISO 7999 standard acoustic testing	0000h
108-111	Worldwide name	Vendor Specific
112-115	Reserved	0000h
116	Reserved for TLC	0000h
117-118	Logical sector size	0000h
119	Commands and feature sets supported	401Ch
120	Commands and feature sets supported or enabled	401Ch
121-124	Reserved for expanded supported and enabled settings	0000h
125-126	Reserved for expanded supported and enabled settings	0000h
127	Obsolete	0000h
128	Security status	0021h
129-159	Vendor specific	0000h
160	CFA power mode	0000h
161-164	Reserved for the CFA	0000h
165-167	Reserved for the CFA	0000h
168	Device Nominal Form Factor	0003h
169	DATA SET MANAGEMENT is supported	0001h
170-173	Additional Product Identifier	0000h
174-175	Reserved	0000h
176-205	Current media serial number	0000h

206	SCT Command Transport	0039h
207-208	Reserved for CE-ATA	0000h
209	Alignment of logical blocks within a physical block	4000h
210-211	Write-Read-Verify Sector Count Mode 3	0000h
212-213	Write-Read-Verify Sector Count Mode 2	0000h
214	NV Cache Capabilities	0000h
215-216	NV Cache Size in Logical Blocks	0000h
217	Nominal media rotation rate	0001h
218	Reserved	0000h
219	NV Cache Options	0000h
220	Current mode of the Write-Read-Verify feature set	0000h
221	Reserved	0000h
222	Transport major version number	107Fh
223	Transport minor version number	0000h
224-227	Reversed for CE-ATA	0000h
228-229	Reversed for CE-ATA	0000h
230-233	Extend Number of User Addressable Sectors	0000h
234	Minimum number of 512-byte data blocks per DOWNLOAD MICROCODE command for mode 03h	0001h
235	Maximum number of 512-byte data blocks per DOWNLOAD MICROCODE command for mode 03h	FFFFh
236-239	Reserved	0000h
240-242	Reserved	0000h
243	Security feature 4000 : Self Encrypting Drive	4000h
244-247	Reserved	0000h
248-251	Reserved	0000h
252-254	Reserved	0000h
255	Integrity word	xxA5h

Capacity (GB)	*1 (Word 1/Word 54)	*2 (Word 57 – 58)	*3 (Word 60 – 61)	*4 (Word 100 – 103)
60	3FFFh	FBFC10h	TBC	TBC
120	3FFFh	FBFC10h	FFFFFFFh	0DF94BB0h
240	3FFFh	FBFC10h	FFFFFFFh	1BF244B0h
480	3FFFh	FBFC10h	FFFFFFFh	37E436B0h
960	3FFFh	FBFC10h	FFFFFFFh	6FC81AB0h
1920	3FFFh	FBFC10h	FFFFFFFh	DF8FE2B0h
3840	3FFFh	FBFC10h	FFFFFFFh	1BF1F72B0h
7680	3FFFh	FBFC10h	FFFFFFFh	37E3E92B0h
15360	3FFFh	FBFC10h	FFFFFFFh	6FC7CD2B0

## 7. ATA Command Set [Command Set List]

Op-Code	Command Description
00h	NOP
06h	Data Set Management
10h	Recalibrate
20h	Read Sectors
21h	Read Sectors without Retry
24h	Read Sectors EXT
25h	Read DMA EXT
27h	Read Native Max Address EXT
29h	Read Multiple EXT
2Fh	Read Log EXT
30h	Write Sectors
31h	Write Sectors without Retry
34h	Write Sectors EXT
35h	Write DMA EXT
37h	Set Native Max Address EXT
39h	Write Multiple EXT
3Dh	Write DMA FUA EXT
3Fh	Write Long EXT
40h	Read Verify Sectors
41h	Read Verify Sectors without Retry
42h	Read Verify Sectors EXT
45h	Write Uncorrectable EXT
47h	Read Log DMA EXT
57h	Write Log DMA EXT
5Bh	TRUSTED NON-DATA
5Ch	TRUSTED RECEIVE
5Dh	TRUSTED RECEIVE DMA
5Eh	TRUSTED SEND

5Fh		TRUSTED SEND DMA
60h		Read FPDMA Queued
61h		Write FPDMA Queued
70h		Seek
77h		SET DATE & TIME EXT
90h		Execute Device Diagnostic
91h		Initialize Device Parameters
92h		Download Microcode PIO
93h		Download Microcode DMA
B0h	D0h	SMART: READ DATA
B0h	D2h	SMART: ENABLE/DISABLE AUTOSAVE
B0h	D4h	SMART: EXECUTE OFF-LINE IMMEDIATE
B0h	D5h	SMART: READ LOG
B0h	D6h	SMART: WRITE LOG
B0h	D8h	SMART: ENABLE OPERATIONS
B0h	D9h	SMART: DISABLE OPERATIONS
B0h	DAh	SMART: RETURN STATUS
B1h	C0h	DEVICE CONFIGURATION: RESTORE
B1h	C2h	DEVICE CONFIGURATION: IDENTIFY
B1h	C3h	DEVICE CONFIGURATION: SET
B1h	C4h	DEVICE CONFIGURATION: IDENTIFY DMA
B1h	C5h	DEVICE CONFIGURATION: SET DMA
B4h	00h	SANITIZE DEVICE: SANITIZE STATUS EXT
B4h	11h	SANITIZE DEVICE: CRYPTO SCRAMBLE EXT
B4h	12h	SANITIZE DEVICE: BLOCK ERASE EXT
B4h	14h	SANITIZE DEVICE: OVERWRITE EXT
B4h	20h	SANITIZE DEVICE: SANITIZE FREEZE LOCK EXT

B4h	40h	SANITIZE DEVICE: SANITIZE ANTIFREEZE LOCK EXT
C4h		Read Multiple
C5h		Write Multiple
C6h		Set Multiple Mode
C8h		Read DMA
C9h		Read DMA without Retry
CAh		Write DMA
CBh		Write DMA without Retry
CEh		Write Multiple FUA EXT
E0h		Standby Immediate
E1h		Idle Immediate
E2h		Standby
E3h		Idle
E4h		Read Buffer
E5h		Check Power Mode
E6h		Sleep
E7h		Flush Cache
E8h		Write Buffer
E9h		Read Buffer DMA
EAh		Flush Cache EXT
EBh		Write Buffer DMA
ECh		IDENTIFY DEVICE
EFh	02h	SET FEATURES: Enable volatile write cache
EFh	03h	SET FEATURES: Set transfer mode
EFh	05h	SET FEATURES: Enable the APM feature set
EFh	55h	SET FEATURES: Disable read look-ahead feature
EFh	82h	SET FEATURES: Disable volatile write cache
EFh	85h	SET FEATURES: Disable the APM feature set

EFh	86h	SET FEATURES: Disable the PUIS feature set	
EFh	90h	02h	SET FEATURES: Disable DMA Setup FIS Auto-Activate optimization
EFh	90h	03h	SET FEATURES: Disable Device-initiated interface power state transitions
EFh	90h	06h	SET FEATURES: Disable Software Settings Preservation
EFh	90h	07h	SET FEATURES: Disable Device Automatic Partial to Slumber transitions
EFh	10h	03h	SET FEATURES: Enable Device-initiated interface power state transitions
EFh	10h	06h	SET FEATURES: Enable Software Settings Preservation
EFh	10h	07h	SET FEATURES: Enable Device Automatic Partial to Slumber transitions
EFh	AAh		SET FEATURES: Enable read look-ahead feature
EFh	CCh		SET FEATURES: Enable reverting to power-on defaults
F1h			Security Set Password
F2h			Security Unlock
F3h			Security Erase Prepare
F4h			Security Erase Unit
F5h			Security Freeze Lock
F6h			Security Disable Password
F8h			Read Native Max Address
F9h			Set Max: Address
F9h	01h		SET MAX: SET PASSWORD
F9h	02h		SET MAX: LOCK
F9h	03h		SET MAX: UNLOCK
F9h	04h		SET MAX: FREEZE LOCK

Note: ND = Non-Data Command  
 PI = PIO Data-In Command  
 PO = PIO Data-Out Command  
 DM = DMA Command  
 DD = Execute Diagnostic Command

**[Command Set Descriptions]****1. CHECK POWER MODE (code: E5h);**

This command allows host to determine the current power mode of the device.

**2. DOWNLOAD MICROCODE (code: 92h);**

This command enables the host to alter the device's microcode. The data transferred using the DOWNLOAD MICROCODE command is vendor specific.

All transfers shall be an integer multiple of the sector size. The size of the data transfer is determined by the content of the LBA Low register and the Sector Count register.

This allows transfer sizes from 0 bytes to 33,553,920 bytes, in 512bytes increments.

**3. EXECUTE DEVICE DIAGNOSTIC (code: 90h);**

This command performs the internal diagnostic tests implemented by the module.

**4. FLUSH CACHE (code: E7h);**

This command is used by the host to request the device to flush the write cache.

**5. FLUSH CACHE EXT (code: EAh);**

This command is used by the host to request the device to flush the write cache. If there is data in the write cache, that data shall be written to the media.

**6. IDENTIFY DEVICE (code: ECh);**

The IDENTIFY DEVICE command enables the host to receive parameter information from the module.

**7. IDLE (code: 97h or E3h);**

This command allows the host to place the module in the IDLE mode and also set the Standby timer. INTRQ may be asserted even through the module may not have fully transitioned to IDLE mode. If the Sector Count register is non-"0", then the Standby timer shall be enabled. The value in the Sector Count register shall be used to determine the time programmed into the Standby timer. If the Sector Count register is "0" then the Standby timer is disabled.

**8. IDLE IMMEDIATE (code: E1h);**

This command causes the module to set BSY, enter the Idle (Read) mode, clear BSY and generate an interrupt.

**9. INITIALIZE DEVICE PARAMETERS (code: 91h);**

This command enables the host to set the number of sectors per track and the number of heads per cylinder.

**10. NOP (code: 00h);**

If this command is issued, the module respond with command aborted.

**11. READ BUFFER (code: E4h);**

This command enables the host to read the current contents of the module's sector buffer.

**12. READ DMA (code: C8h or C9h);**

This command reads from "1" to "256" sectors as specified in the Sector Count register using the DMA data transfer protocol. A sector count of "0" requests "256" sectors transfer. The transfer begins at the sector specified in the Sector Number register.

**13. READ DMA Ext (code: 25h);**

This command allows the host to read data using the DMA data transfer protocol.

**14. READ MULTIPLE (code: C4h);**

This command performs similarly to the READ SECTORS command. Interrupts are not generated on each sector, but on the transfer of a block which contains the number of sector per block is defined by the content of word 59 in the IDENTIFY DEVICE response.

**15. READ MULTIPLE EXT (code: 29h);**

This command performs similarly to the READ SECTORS command. The number of sectors per block is defined by a successful SET MULTIPLE command. If no successful SET MULTIPLE command has been issued, the block is defined by the device's default value for number of sectors per block as defined in bits (7:0) in word 47 in the IDENTIFY DEVICE information.

**16. READ NATIVE MAX ADDRESS (code: F8h);**

This command returns the native maximum address. The native maximum address is the highest address accepted by the device in the factory default condition.

**17. READ NATIVE MAX ADDRESS EXT (code: 27h);**

This command returns the native maximum address.

**18. READ SECTOR(S) (code: 20h or 21h);**

This command reads from "1" to "256" sectors as specified in the Sector Count register. A sector count of "0" requests "256" sectors transfer. The transfer begins at the sector specified in the Sector Number register.

**19. READ SECTOR(S) EXT (code: 24h);**

This command reads from "1" to "65536" sectors as specified in the Sector Count register. A sector count of "0" requests "65536" sectors transfer. The transfer begins at the sector specified in the Sector Number register.

**20. READ VERIFY SECTOR(S) (code: 40h or 41h);**

This command is identical to the READ SECTORS command, except that DRQ is never set and no data is transferred to the host.

**21. READ VERIFY SECTOR(S) EXT (code: 42h);**

This command is identical to the READ SECTORS command, except that DRQ is never set and no data is transferred to the host.

**22. RECALIBRATE (code: 1Xh);**

This command returns value is select address mode by the host request.

**23. SECURITY DISABLE PASSWORD (code: F6h);**

This command transfers 512 bytes of data from the host. Table defines the content of this information. If the password selected by word 0 match the password previously saved by the device, the device shall disable the Lock mode. This command shall not change the Master password. The Master password shall be reactivated when a User password is set.

**24. SECURITY ERASE PREPARE (code: F3h);**

This command shall be issued immediately before the SECURITY ERASE UNIT command to enable device erasing and unlocking.

**25. SECURITY ERASE UNIT (code: F4h);**

This command transfers 512 bytes of data from the host. Table## defines the content of this information. If the password does not match the password previously saved by the device, the device shall reject the command with command aborted.

The SECURITY ERASE PREPARE command shall be completed immediately prior to the SECURITY

ERASE UNIT command.

**26. SECURITY FREEZE LOCK (code: F5h);**

This command shall set the device to frozen mode. After command completion any other commands that update the device Lock mode shall be command aborted. Frozen shall be disabled by power-off or hardware reset.

If SECURITY FREEZE LOCK is issued when the drive is in frozen mode, the drive executes the command and remains in frozen mode.

**27. SECURITY SET PASSWORD (code: F1h);**

This command transfers 512 bytes of data from the host. Table defines the content of this information. The data transferred controls the function of this command. Table defines the interaction of the identifier and security level bits.

**28. SECURITY UNLOCK (code: F2h);**

This command transfers 512 bytes of data from the host. Table (as Disable Password) defines the content of this information.

If the Identifier bit is set to Master and the device is in high security level, then the password supplied shall be compared with the stored Master password. If the device is in maximum security level then the unlock shall be rejected.

If the identifier bit is set to user, then the device shall compare the supplied password with the stored User password.

If the password comparison fails then the device shall return command aborted to the host and decrements the unlock counter. This counter shall be initially set to five and shall be decremented for each password mismatch when SECURITY UNLOCK is issued and the device is locked. When this counter reaches zero then SECURITY UNLOCK and SECURITY ERASE UNIT command shall be aborted until a power-on or hardware reset.

**29. SEEK (code: 7Xh);**

This command performs address range check.

**30. SET MAX ADDRESS (code: F9h);**

After successful command completion, all read and write access attempts to address greater than specified by the successful SET MAX ADDRESS command shall be rejected with an IDNF error. IDENTIFY DEVICE response words (61:60) shall reflect the maximum address set with this command.

**31. SET MAX ADDRESS EXT (code: 37h);**

After successful command completion, all read and write access attempts to address greater than specified by the successful SET MAX ADDRESS command shall be rejected with an IDNF error. IDENTIFY DEVICE response words (61:60) shall reflect the maximum address set with this command.

**32. SET FEATURE (code: EFh);**

This command is used by the host to establish parameters that affect the execution of certain device features.

**33. SET MULTIPLE MODE (code: C6h);**

This command enables the device to perform READ and Write Multiple operations and establishes the block count for these commands.

**34. SLEEP (code: 99h or E6h);**

This command causes the module to set BSY, enter the Sleep mode, clear BSY and generate an interrupt.

**35. SMART READ DATA (code: B0h with Feature register value of D0h);**

This command returns the Device SMART data structure to the host.

- 36. SMART ENABLE/DISABLE AUTO SAVE (code: B0h with Feature register value of D2h);**  
This command enables and disables the optional attribute auto-save feature of the device.
- 37. SMART EXECUTE OFF\_LINE (code: B0h with Feature register value of D4h);**  
This command causes the device to immediately initiate the optional set of activities that collect SMART data in an off-line mode and then save this data to the device's non-volatile memory, or execute a self-diagnostic test routine in either captive or off-line mode.
- 38. SMART READ LOG (code: B0h with Feature register value of D5h);**  
This command returns the specified log data to the host.
- 39. SMART ENABLE OPERATION (code: B0h with Feature register value of D8h);**  
This command enables access to all SMART capabilities within the device. Prior to receipt of this command SMART data are neither monitored nor saved by the device.
- 40. SMART DISABLE OPERATION (code: B0h with Feature register value of D9h);**  
This command disables all SMART capabilities within the device including any and all timer and event count functions related exclusively to this feature. After command acceptance the device shall disable all SMART operations.  
After receipt of this command by the device, all other SMART commands including SMART DISABLE OPERATION commands, with exception of SMART ENABLE OPERATIONS, are disabled and invalid and shall be command aborted by the device.
- 41. SMART RETURN STATUS (code: B0h with Feature register value of DAh);**  
This command causes the device to communicate the reliability status of the device to the host.
- 42. STANDBY (code: E2h);**  
This command causes the module to set BSY, enter the Standby mode, clear BSY and return the interrupt immediately.
- 43. STANDBY IMMEDIATE (code: E0h);**  
This command causes the module to set BSY, enter the Standby mode, clear BSY and return the interrupt immediately.
- 44. WRITE BUFFER (code: E8h);**  
This command enables the host to overwrite contents of the module's sector buffer with any data pattern desired.
- 45. WRITR DMA (code: CAh or CBh);**  
This command writes from "1" to "256" sectors as specified in the Sector Count register using the DMA data transfer protocol. A sector count of "0" requests "256" sectors transfer. The transfer begins at the sector specified in the Sector Number register.
- 46. WRITR DMA EXT (code: 35h);**  
This command writes from "1" to "65536" sectors as specified in the Sector Count register using the DMA data transfer protocol. A sector count of "0" requests "65536" sectors transfer. The transfer begins at the sector specified in the Sector Number register.
- 47. WRITE MULTIPLE (code: C5h);**  
This command is similar to the WRITE SECTORS command. Interrupts are not presented on each sector, but on the transfer of a block which contains the number of sectors defined by Set Multiple command.
- 48. WRITE MULTIPLE EXT (code: 39h);**  
This command is similar to the WRITE SECTORS command. Interrupts are not presented on each sector,



but on the transfer of a block which contains the number of sectors defined by Set Multiple command.

**49. WRITE SECTOR(S) (code: 30h);**

This command writes from "1" to "256" sectors as specified in the Sector Count register. A sector count of "0" requests "256" sectors transfer. The transfer begins at the sector specified in the Sector Number register.

**50. WRITE SECTOR(S) EXT (code: 34h);**

This command writes from "1" to "65536" sectors as specified in the Sector Count register. A sector count of "0" requests "65536" sectors transfer. The transfer begins at the sector specified in the Sector Number register.

**51. WRITE SECTOR(S) W/O ERASE (code: 38h);**

This command writes from "1" to "256" sectors as specified in the Sector Count register. A sector count of "0" requests "256" sectors transfer. The transfer begins at the sector specified in the Sector Number register.

**52. WRITE VERIFY (code: 3Ch);**

This command is similar to the WRITE SECTOR(S) command, except that each sector is verified before the command is completed.

### 8. System Power Consumption

#### 8.1 Supply Voltage

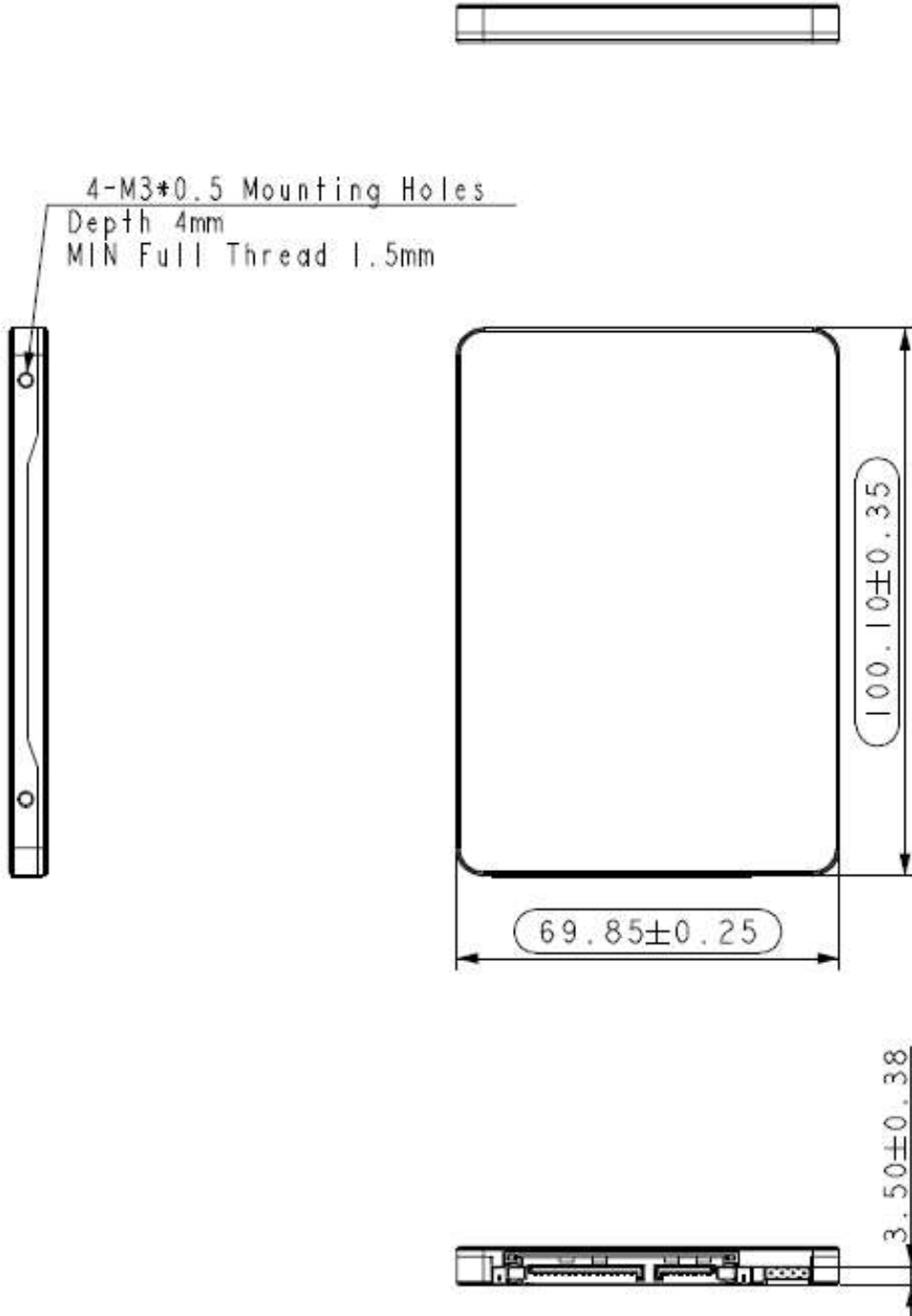
Parameter	Rating
Operating Voltage	5V (+- 5%)

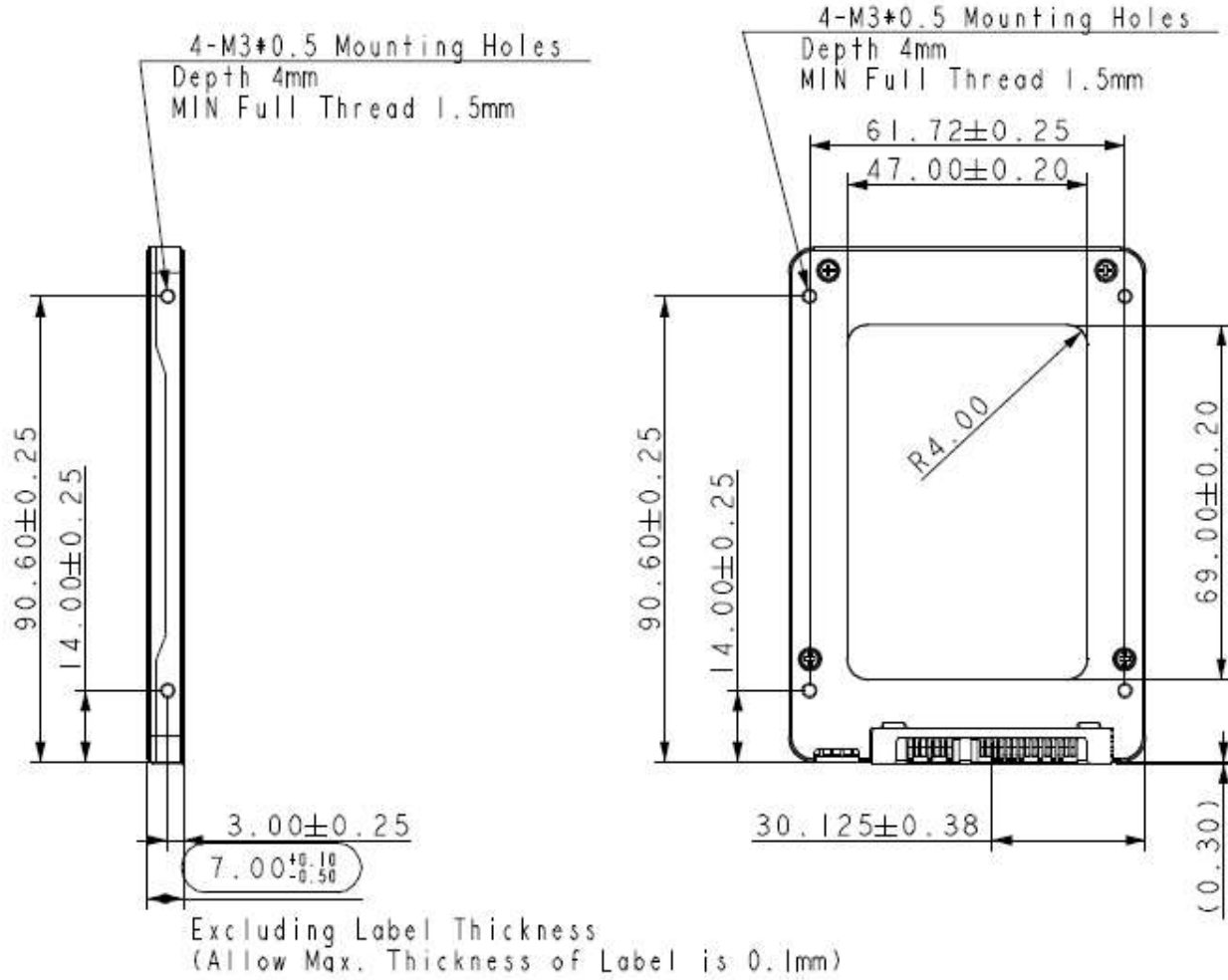
#### 8.2 Power Consumption

(mW)		Read	Write	Idle
3D TLC (BiCS5)	240 GB	2,000	2,000	1,200
	480 GB	2,100	2,700	1,200
	960 GB	2,200	3,200	1,200
	1920 GB	2,400	3,400	1,400
	3840 GB	2,500	3,600	1,500
	7680 GB	2,600	3,700	1,500
	15360 GB	2,600	4,600	1,500

(mW)		Read	Write	Idle
3D sTLC (BiCS5)	60GB	2,100	2,000	1,300
	120 GB	2,100	2,000	1,300
	240 GB	2,200	2,100	1,400
	480 GB	2,400	2,200	1,400
	960 GB	2,500	2,300	1,500
	1920 GB	2,600	4,600	1,500

### 9. Physical Dimension 2.5" SATA SSD (Unit: mm)





### Appendix: Part Number Table

Product	Advantech PN
SQF 2.5 SATA SSD 840-D 240G 3D TLC (0~70°C)	SQF-S25V4-240GDSCC
SQF 2.5 SATA SSD 840-D 480G 3D TLC (0~70°C)	SQF-S25V4-480GDSCC
SQF 2.5 SATA SSD 840-D 960G 3D TLC (0~70°C)	SQF-S25V4-960GDSCC
SQF 2.5 SATA SSD 840-D 1920G 3D TLC (0~70°C)	SQF-S25V8-1K9GDSCC
SQF 2.5 SATA SSD 840-D 3840G 3D TLC (0~70°C)	SQF-S25V8-3K8GDSCC
SQF 2.5 SATA SSD 840-D 7680G 3D TLC (0~70°C)	SQF-S25VF-7K6GDSCC
SQF 2.5 SATA SSD 840-D 15360G 3D TLC (0~70°C)	SQF-S25VF-15T3DSCC
SQF 2.5 SATA SSD 840-D 240G 3D TLC (-40~85°C)	SQF-S25V4-240GDSCE
SQF 2.5 SATA SSD 840-D 480G 3D TLC (-40~85°C)	SQF-S25V4-480GDSCE
SQF 2.5 SATA SSD 840-D 960G 3D TLC (-40~85°C)	SQF-S25V4-960GDSCE
SQF 2.5 SATA SSD 840-D 1920G 3D TLC (-40~85°C)	SQF-S25V8-1K9GDSCE
SQF 2.5 SATA SSD 840-D 3840G 3D TLC (-40~85°C)	SQF-S25V8-3K8GDSCE
SQF 2.5 SATA SSD 840-D 7680G 3D TLC (-40~85°C)	SQF-S25VF-7K6GDSCE
SQF 2.5 SATA SSD 840-D 60G 3D sTLC (0~70°C)	SQF-S25Z4-60GDSCC
SQF 2.5 SATA SSD 840-D 120G 3D sTLC (0~70°C)	SQF-S25Z4-120GDSCC
SQF 2.5 SATA SSD 840-D 240G 3D sTLC (0~70°C)	SQF-S25Z4-240GDSCC
SQF 2.5 SATA SSD 840-D 480G 3D sTLC (0~70°C)	SQF-S25Z8-480GDSCC
SQF 2.5 SATA SSD 840-D 960G 3D sTLC (0~70°C)	SQF-S25Z8-960GDSCC
SQF 2.5 SATA SSD 840-D 1920G 3D sTLC (0~70°C)	SQF-S25ZF-1K9GDSCC
SQF 2.5 SATA SSD 840-D 60G 3D sTLC (-40~85°C)	SQF-S25Z4-60GDSCE
SQF 2.5 SATA SSD 840-D 120G 3D sTLC (-40~85°C)	SQF-S25Z4-120GDSCE
SQF 2.5 SATA SSD 840-D 240G 3D sTLC (-40~85°C)	SQF-S25Z4-240GDSCE
SQF 2.5 SATA SSD 840-D 480G 3D sTLC (-40~85°C)	SQF-S25Z8-480GDSCE
SQF 2.5 SATA SSD 840-D 960G 3D sTLC (-40~85°C)	SQF-S25Z8-960GDSCE
SQF 2.5 SATA SSD 840-D 1920G 3D sTLC (-40~85°C)	SQF-S25ZF-1K9GDSCE