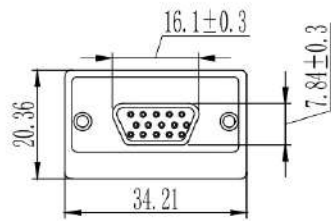
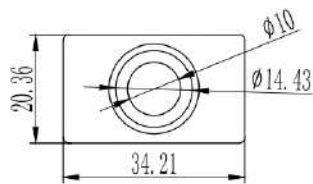
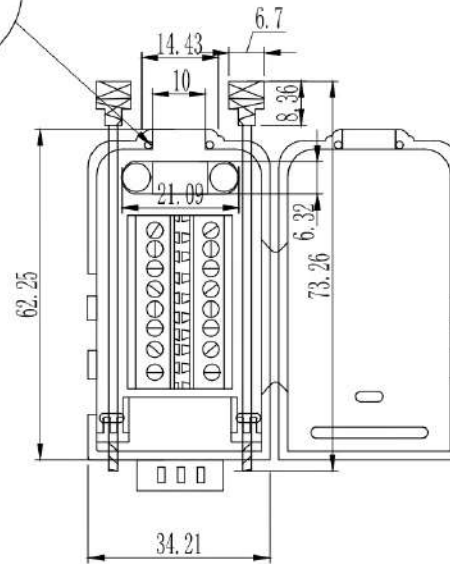
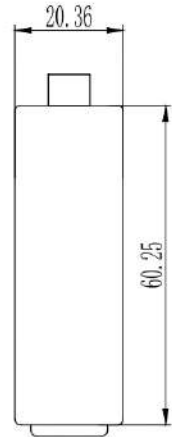
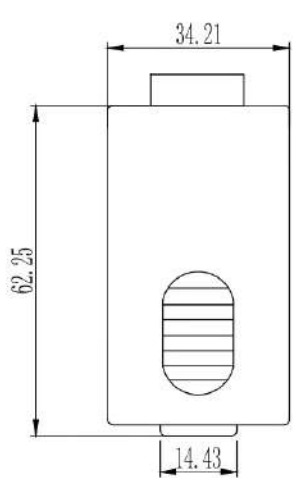
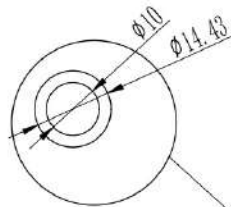


Male



Female



1. Features:

- Rated voltage: 220V
- Rated current: up to 1A
- Contact resistance: 30mΩ MAX
- Insulation resistance: 3000mΩMIN. At 500V DC
- Withstand voltage: 220V AC RMS for 1Minute
- Temperature range: -45°C - +85°C

2. Materials:

- Plug rubber core: PBT
- Plug terminal: brass core with black rubber core, tin-plated outside
- Plug iron shell: SPCC, nickel-plated front shell
- Shell: new PP
- Terminal: 3.81 copper block green terminal
- Screw: nickel-plated iron 2.3MM* 72.94MM X 2PCS
- Circuit board: lead-free environmental protection green board
- Tail outlet: 10.0MM

CompuCable^{USA}

	Difference	0.5
	Unit	mm
	Ratio	1:1
Part No.	DTB-15HXP-KIT	