

SAI-4-F 5P FC 5M**Weidmüller Interface GmbH & Co. KG**

Klingenbergstraße 26

D-32758 Detmold

Germany

www.weidmueller.com



Whereas the standard M12 system requires the sleeves to be laboriously screwed on and that operation is hindered by the vibration guard, M12 Push-Pull works with one click, just like those well-known garden hose systems. The audible locking function guarantees a safe and reliable connection as well as a good seal. The new SAI M12 Push-Pull distributors can be used with M12 plug-in connectors but also with the new M12 Push-Pull plug-in connectors.

General ordering data

Version	Fixed cable version, M12, 30 V, A-coded, LED: Yes, LED initiator: Yes, Wiring type: , 5 m
Order No.	1847950000
Type	SAI-4-F 5P FC 5M
GTIN (EAN)	4032248369140
Qty.	1 pc(s).
Delivery status	Discontinued
Available until	2019-07-01
Alternative product	9456330000

Creation date March 26, 2024 3:46:45 PM CET

SAI-4-F 5P FC 5M

Weidmüller Interface GmbH & Co. KG

Klingenbergstraße 26

D-32758 Detmold

Germany

www.weidmueller.com

Technical data

Dimensions and weights

Height	26 mm	Height (inches)	1.024 inch
Width	54 mm	Width (inches)	2.126 inch
Length	116 mm	Length (inches)	4.567 inch
Net weight	653 g		

Temperatures

Operating temperature	-25 - 80
-----------------------	----------

Connection data

Sheathing stripping length	100 mm	Distributor outlet	Fixed cable version
----------------------------	--------	--------------------	---------------------

Electrical data

Rated voltage, min.	10 V	Rated voltage, max.	30 V
Test voltage	1 kV	Max. current-carrying capacity per slot	4 A
Total current	10 A	Current per signal	2 A
Electrical isolation available	No	Insulation strength	10 ⁹ Ω

General technical data

Plug-in station coding	A-coded	Protection degree	IP67
Number of poles	5	Number of contact sockets	4
Connection thread	M12	Pollution severity	3
Fire behaviour	V-0	LED	Yes
LED initiator	Yes	LED colour for indicating operation	green
LED colour for I/O function	yellow		

Material data

Housing main material	PA 6 GF	Material of distributor	Plastic
Housing colour	grey, RAL 7032	Screw socket	Nickel-plated CuZn
Contact material	CuZn	Contact surface	Gold-plated
Contact carrier material	PBT (UL 94 V0)		

Technical data cable

Bending cycles	2 Mio	Bending radius, min., moving	10 x cable diameter
Halogen	No	Number of poles	5
O.D.	8.2 mm	Sheath material	PUR
Sheathing colour	black	Shielded	No
Wire cross section (Print/Online)	8 x 0.34 mm ² + 3 x 1.0 mm ²	Cable length	5 m
Suitable for cable carriers	Yes		

Classifications

ETIM 6.0	EC002585	ETIM 7.0	EC002585
ETIM 8.0	EC002585	ETIM 9.0	EC002585
ECLASS 9.0	27-44-01-08	ECLASS 9.1	27-44-01-08
ECLASS 10.0	27-44-01-08	ECLASS 11.0	27-44-01-08
ECLASS 12.0	27-44-01-08	ECLASS 13.0	27-44-01-08

SAI-4-F 5P FC 5M

Weidmüller Interface GmbH & Co. KG
Klingenbergstraße 26
D-32758 Detmold
Germany

www.weidmueller.com

Technical data

Environmental Product Compliance

REACH SVHC Lead 7439-92-1

Approvals

Approvals



ROHS Conform

UL File Number Search UL Website

Certificate No. (cURus) E92202

Downloads

Catalogues [Catalogues in PDF-format](#)

Brochures [FL FIELDWIRING EN](#)
[FL FIELDWIRING EN](#)

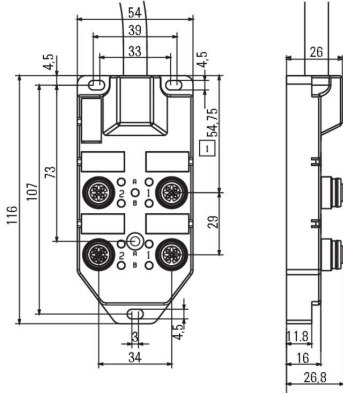
SAI-4-F 5P FC 5M

Weidmüller Interface GmbH & Co. KG
Klingenbergstraße 26
D-32758 Detmold
Germany

www.weidmueller.com

Drawings

Dimensioned drawing



Wiring diagram

