

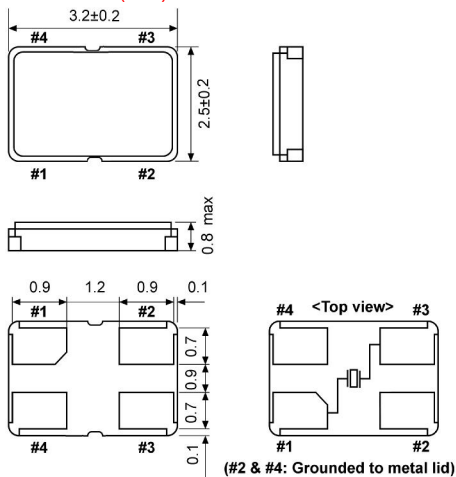


# Quartz Crystal

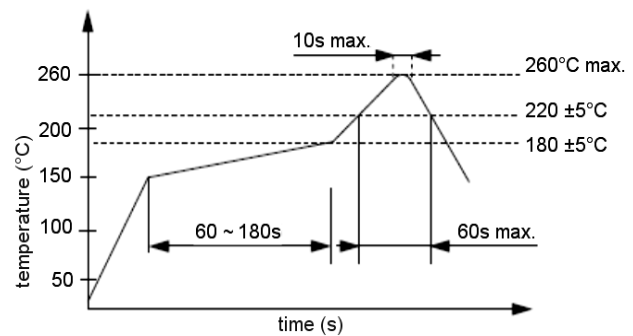
SMD-version

model	KX - 7
frequency	25,0 MHz
mode	fundamental
operating temperature	-20° ~ + 70°C
frequency tolerance at +25°C	± 10 ppm
temperature tolerance -20° ~ + 70°C	± 10 ppm
load capacitance $C_L$	20 pF
series resonance R1 max.	40 Ohm
aging at +25°C (first year) max.	± 2 ppm
shunt capacitance $C_0$ max.	3,5 pF
drive level max.	100 $\mu$ W typ., 200 $\mu$ W max.
contents of reel	1000 pcs.
part no.	12.60053

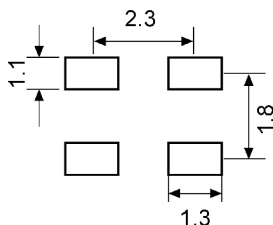
**Dimensions (mm):**



**Reflow soldering condition:**



**Suggested soldering pad:**



**Tape specification:**

