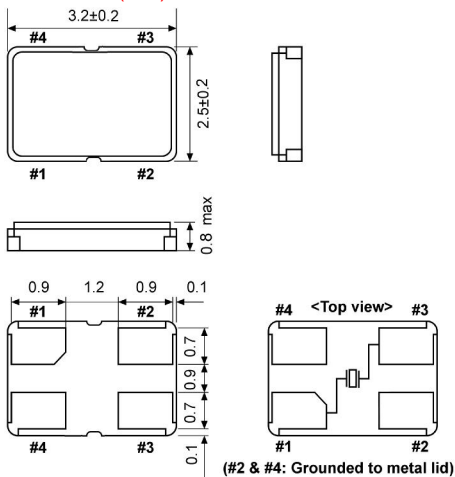


## Quartz Crystal

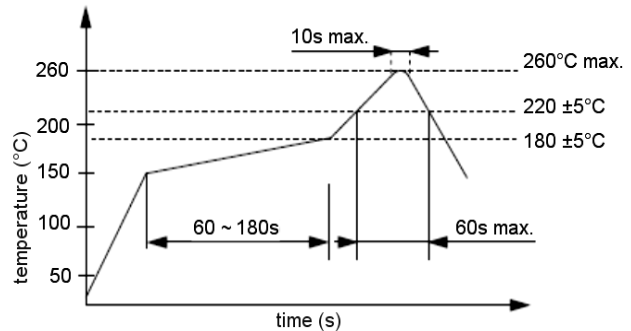
SMD-version

model	KX – 7F
frequency	8,0
mode	fundamental
operating temperature	-40° ~ +125°C
frequency tolerance at +25°C	± 50 ppm
temperature tolerance -40° ~ +125°C	±150 ppm
load capacitance $C_L$	12 pF
series resonance R1 max.	500 Ohm
aging at +25°C (first year) max.	± 2 ppm
shunt capacitance $C_0$ max.	5,0 pF
drive level max.	100 µW
AEC-Q200	yes
contents of reel	1000 pcs.
part no.	12.60048

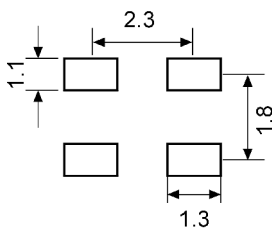
**Dimensions (mm):**



**Reflow soldering condition:**



**Suggested soldering pad:**



**Tape specification:**

