



## BX4550NL

- TRANSFORMER MODULE
- 1– 200 MHz
- IMPEDANCE = LINE: 100Ω, RX:100Ω, TX:25Ω
- SURFACE MOUNT

NOTES: UNLESS OTHERWISE SPECIFIED

1. HEADER: THERMOPLASTIC MATERIAL WITH FLAMMABILITY RATING UL 95V-0 OR BETTER
2. SOLDERABILITY: CONFORMS TO ANSI/J-STD-202 IPC/EIA J-STD-003A.
3. OPERATING TEMPERATURE: 0°C TO +70°C
4. STORAGE TEMPERATURE: -20°C TO +125°C
5. JEDEC MOISTURE: LEVEL 1.
6. DIMENSIONS ARE IN INCHES [MM] WITH THE FOLLOWING TOLERANCE:  
.XX= ±.01 [±0.25]  
.XXX= ±.005 [±0.13]
7. ROHS COMPLIANT



| PORT DESIGNATIONS | PIN NUMBERS |
|-------------------|-------------|
| LINE SIDE         | 1 – 4       |
| TX                | 8 – 7       |
| RX                | 6 – 5       |

### ELECTRICAL SPECIFICATIONS: ● 25°C

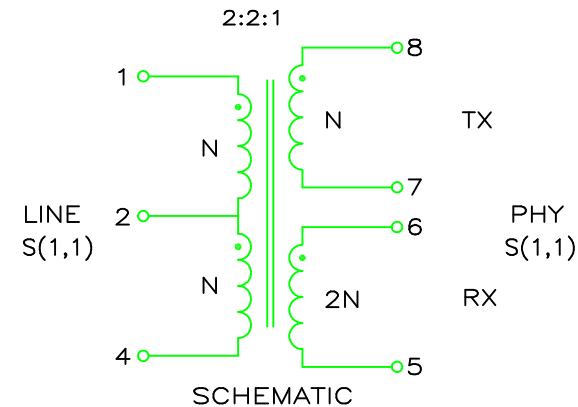
INSERTION LOSS/RETURN LOSS "TX": (100%)

TX

| MEASUREMENT | UNITS | 1–5 MHz   | 5–30 MHz  | 200 MHz   |
|-------------|-------|-----------|-----------|-----------|
| S(2,1)      | dB    | -17.1 MAX | -17.0 MAX | -17.4 MAX |
| S(1,1)      | dB    | -28 MIN   | -30 MIN   | -27 MIN   |
| S(2,2)      | dB    | -26 MIN   | -28 MIN   | -20 MIN   |

RX

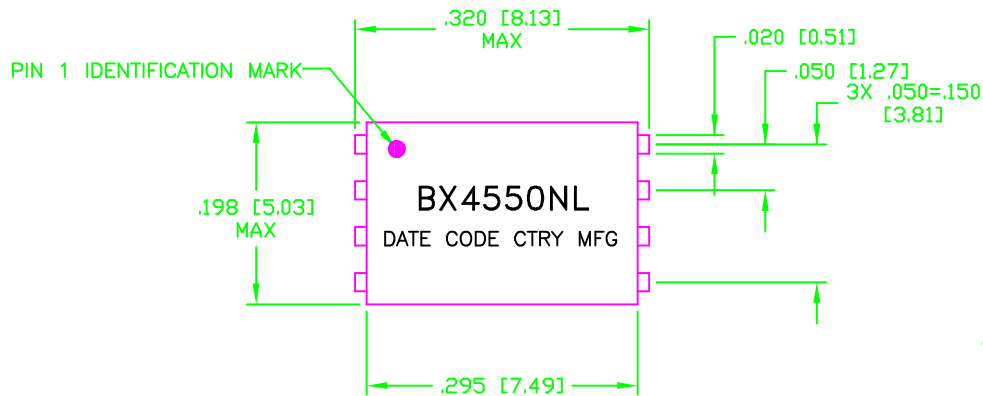
| MEASUREMENT | UNITS | 1–5 MHz   | 5–30 MHz  | 200 MHz   |
|-------------|-------|-----------|-----------|-----------|
| S(2,1)      | dB    | -16.7 MAX | -16.6 MAX | -16.7 MAX |
| S(1,1)      | dB    | -32 MIN   | -35 MIN   | -26 MIN   |
| S(2,2)      | dB    | -32 MIN   | -35 MIN   | -26 MIN   |



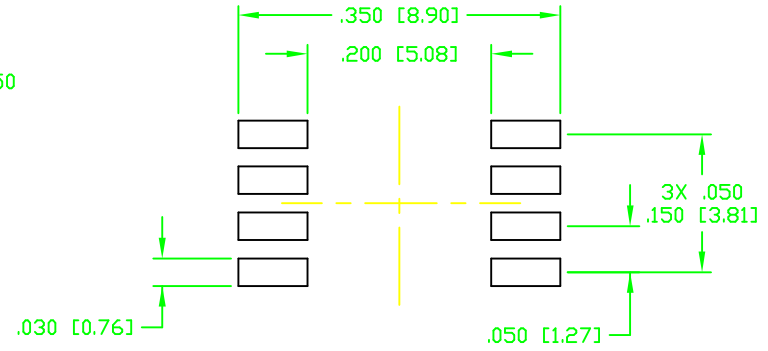
© Copyright, 2015. Pulse Electronics Corp. All rights reserved. Pulse confidential & proprietary. (10/04/16)

| PRODUCT DESCRIPTION       | TLA DRAWING | PS DRAWING    | SHEET  | PART NO. | DATASHEET REV. |
|---------------------------|-------------|---------------|--------|----------|----------------|
| XFMR, SMT,1–200MHz, 2:2:1 | BX4550NL-P1 | PS-2353.001-B | 1 OF 2 | BX4550NL | A              |

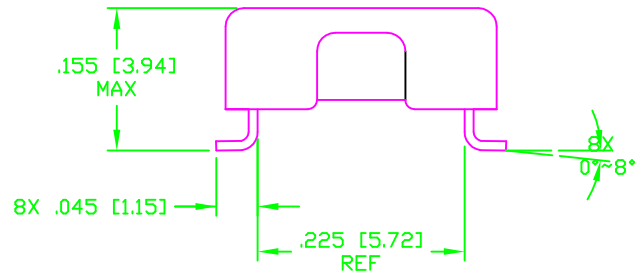
MECHANICAL SPECIFICATIONS



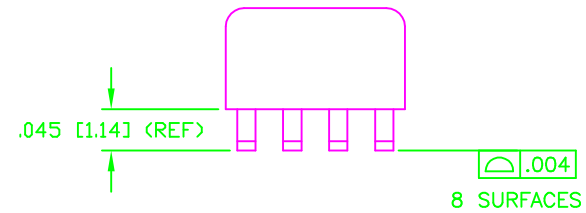
TOP VIEW



SUGGESTED LAND PATTERN



FRONT VIEW



SIDE VIEW

© Copyright, 2015. Pulse Electronics Corp. All rights reserved. Pulse confidential & proprietary. (10/04/16)

| PRODUCT DESCRIPTION        | TLA DRAWING | PS DRAWING    | SHEET  | PART NO. | DATASHEET REV. |
|----------------------------|-------------|---------------|--------|----------|----------------|
| XFMR, SMT, 1-200MHz, 2:2:1 | BX4550NL-P1 | PS-2353.001-B | 2 OF 2 | BX4550NL | A              |